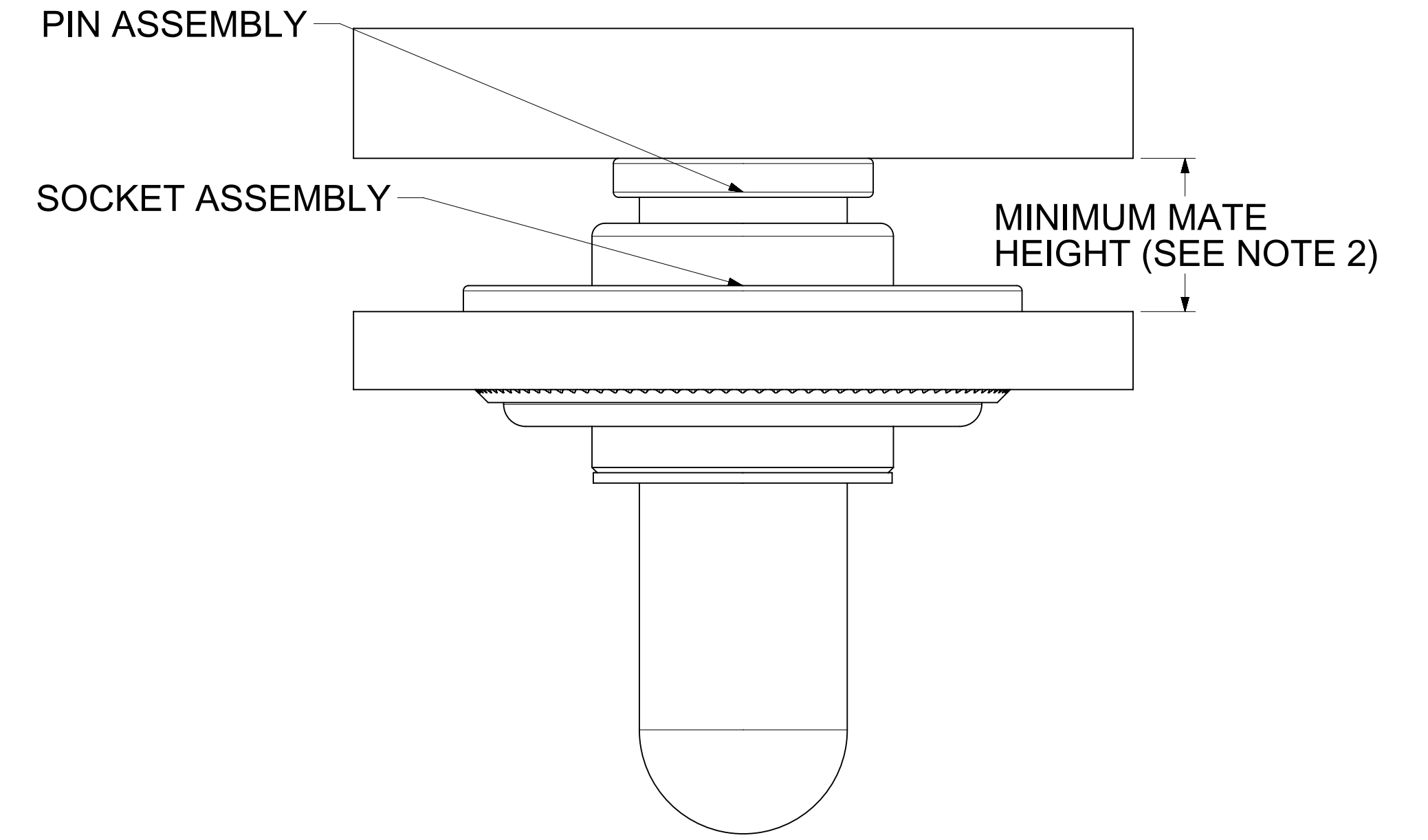
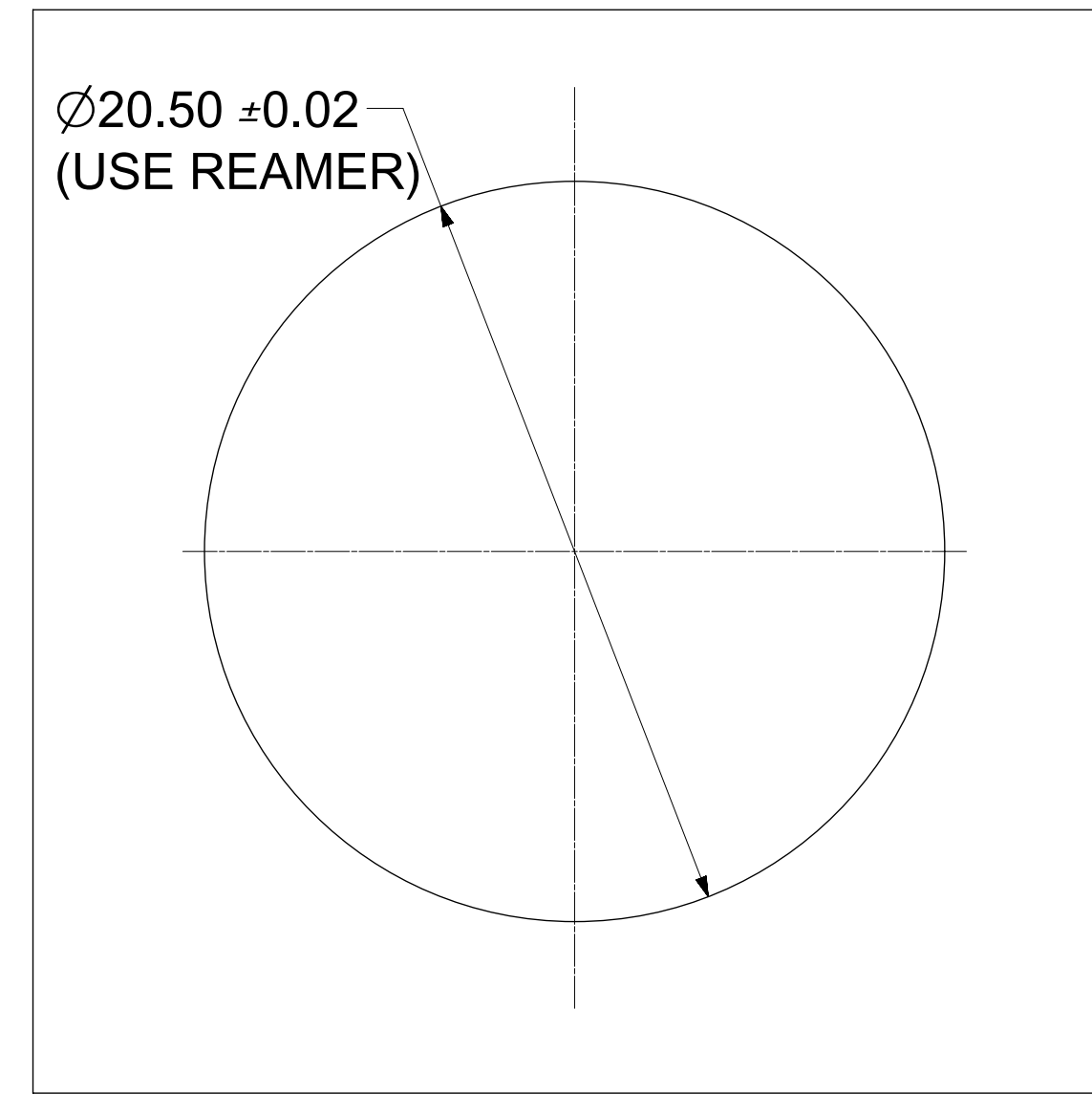
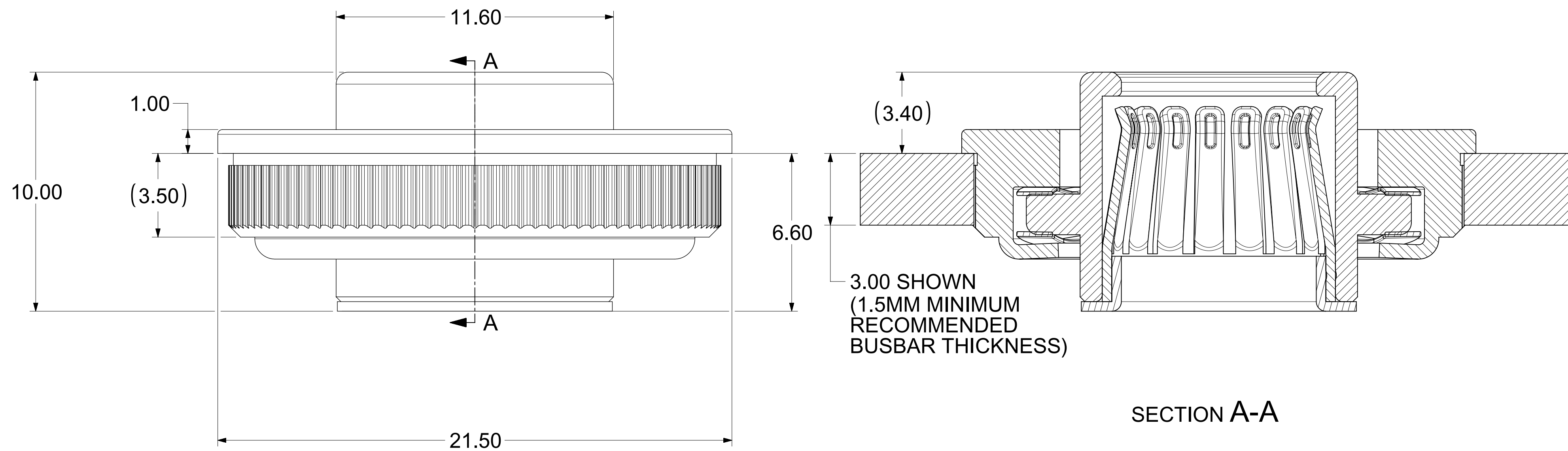


RECOMMENDED DRILL(ON BUSBAR)



MATING PROFILE



SECTION A-A

NOTES:

1. MATERIALS:
 BASE METAL: HIGH CONDUCTIVE COPPER ALLOY
 PLATING ON CONTACTS: 0.75 MICRON MIN GOLD OVER 1.27 MICRON MIN NICKEL
 PLATING ON BODY: 3.18 MICRON MIN SILVER OVER 1.27 MICRON MIN NICKEL
2. MATES WITH STANDARD PIN DRAWINGS:
 - i. 8.0MM SMT DRAWING 2032633080-SD, MIN. MATING DISTANCE 5.55MM
 - ii. 8.0MM PRESS FIT DRAWING 2032630001-SD, MIN. MATING DISTANCE 5.9MM
 - iii. 8.0MM SCREW MOUNT DRAWING 2032634185-SD, MIN. MATING DISTANCE 8.9MM
3. PRODUCT SPECIFICATION: 2043130001-PS
4. APPLICATION SPECIFICATION: 2043130001-AS
5. PACKAGING SPECIFICATION: 2043650010-PK
6. SILVER COMPONENTS WILL BE SUPPLIED TARNISH FREE BUT MAY TARNISH OVER TIME.

THIS DRAWING CONTAINS INFORMATION THAT IS PROPRIETARY TO MOLEX ELECTRONIC TECHNOLOGIES, LLC AND SHOULD NOT BE USED WITHOUT WRITTEN PERMISSION

DIMENSION UNITS	SCALE	CURRENT REV DESC: PK SPEC UPDATED		molex			
mm	NTS						
GENERAL TOLERANCES (UNLESS SPECIFIED)				PRODUCT CUSTOMER DRAWING			
ANGULAR TOL	± 0.5°	EC NO: 620437		DOCUMENT NUMBER			
4 PLACES	±	DRWN: FCSOO 2018/08/23		DOC TYPE			
3 PLACES	±	CHK'D: BPISZCZOR 2019/07/23		DOC PART			
2 PLACES	± 0.15	APPR: BPISZCZOR 2019/07/23		REVISION			
1 PLACE	± 0.25	INITIAL REVISION:		2043130010-SD			
0 PLACES	±	DRWN: JJONIAK 2017/07/31		PSD 000 A1			
DRAFT WHERE APPLICABLE MUST REMAIN WITHIN DIMENSIONS		APPR: JJONIAK 2018/06/14		SHEET NUMBER			
THIRD ANGLE PROJECTION		DRAWING		MATERIAL NUMBER		CUSTOMER	
D-SIZE		SERIES		2043130010		GENERAL MARKET	
		204313				1 OF 1	