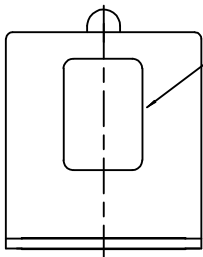
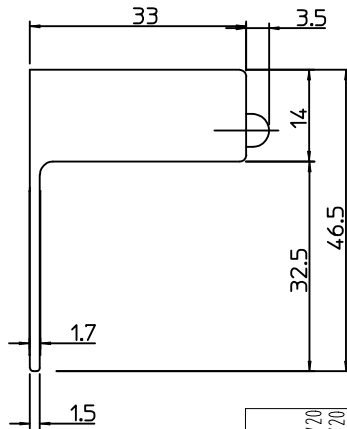
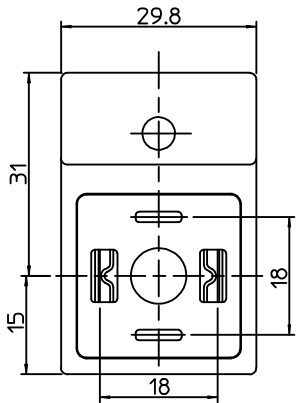


RODZAJ POLACZENIA/INTERNAL CIRCUIT
 PATRZ SCHEMATY POLACZEN/WIRING CONFIGURATION
 NAPIECIE ORAZ KOLOR DIODY/VOLTAGE AND LED COLOUR:

| | | | |
|---------|---------|---------|---------------------------|
| 1= 12V | A= 12V | G= 12V | ZOLTA DIODA YELLOW LED |
| 2= 24V | B= 24V | H= 24V | |
| 3= 48V | C= 48V | K= 48V | |
| 4= 115V | D= 115V | L= 115V | |
| 5= 230V | E= 230V | M= 230V | |

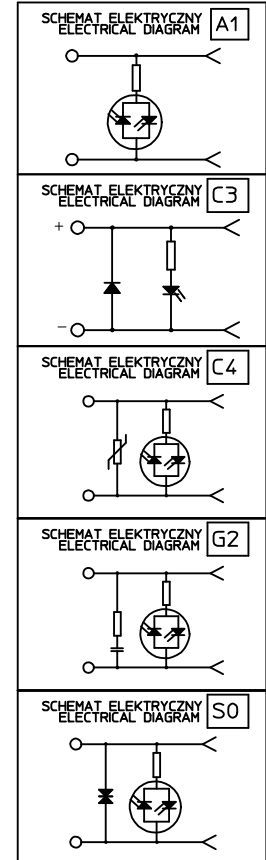


TAMPONADRUK SCHEMATU (BIALY)
 CIRCUIT PRINTOUT (WHITE)

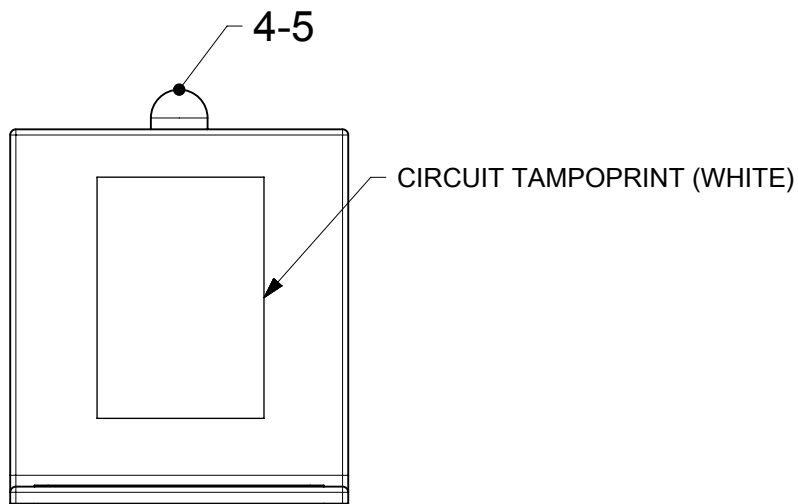
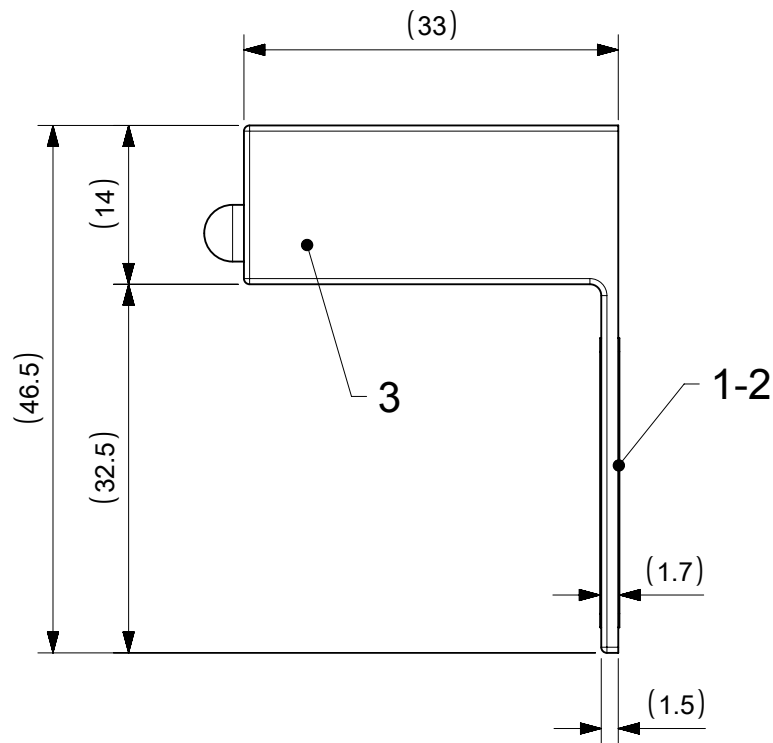
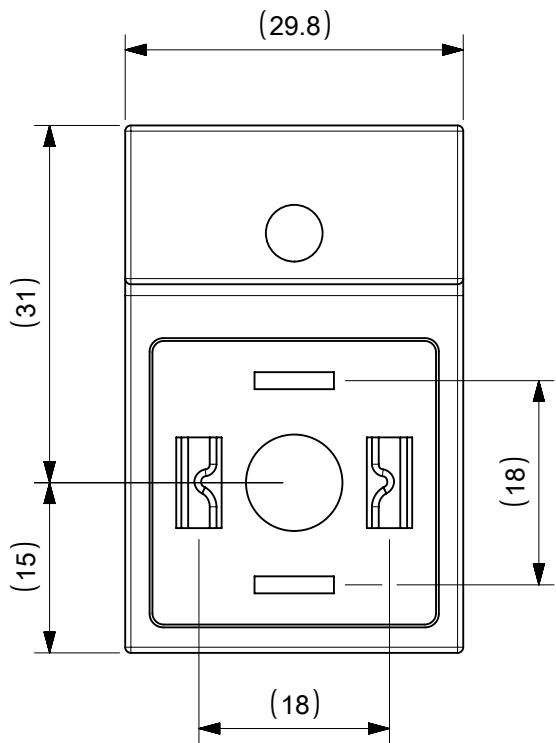


| MOLEX PN | MPM PN | MOLEX PN | MPM PN |
|------------|--------|------------|--------|
| 1210010189 | A06A11 | 1210010216 | A06C4D |
| 1210010190 | A06A12 | 1210010217 | A06C4E |
| 1210010192 | A06A14 | 1210010219 | A06C4H |
| 1210010193 | A06A15 | 1210010220 | A06C4L |
| 1210010194 | A06A1B | 1210010221 | A06C4M |
| 1210010197 | A06A1H | 1210010222 | A06G21 |
| 1210010199 | A06A1L | 1210010223 | A06G22 |
| 1210010200 | A06A1M | 1210010225 | A06G24 |
| 1210010202 | A06C32 | 1210010226 | A06G25 |
| 1210010205 | A06C35 | 1210010228 | A06G2B |
| 1210010206 | A06C3B | 1210010229 | A06G2D |
| 1210010207 | A06C3H | 1210010230 | A06G2E |
| 1210010209 | A06C41 | 1210010231 | A06G2H |
| 1210010210 | A06C42 | 1210010232 | A06G2K |
| 1210010211 | A06C43 | 1210010233 | A06G2L |
| 1210010212 | A06C44 | 1210010234 | A06G2M |
| 1210010213 | A06C45 | 1210010236 | A06S02 |
| 1210010420 | A06C4A | 1210010240 | A06S0H |
| 1210010214 | A06C4B | 1210010198 | A06A1K |
| 1210010215 | A06C4C | 1210010241 | A06S0L |

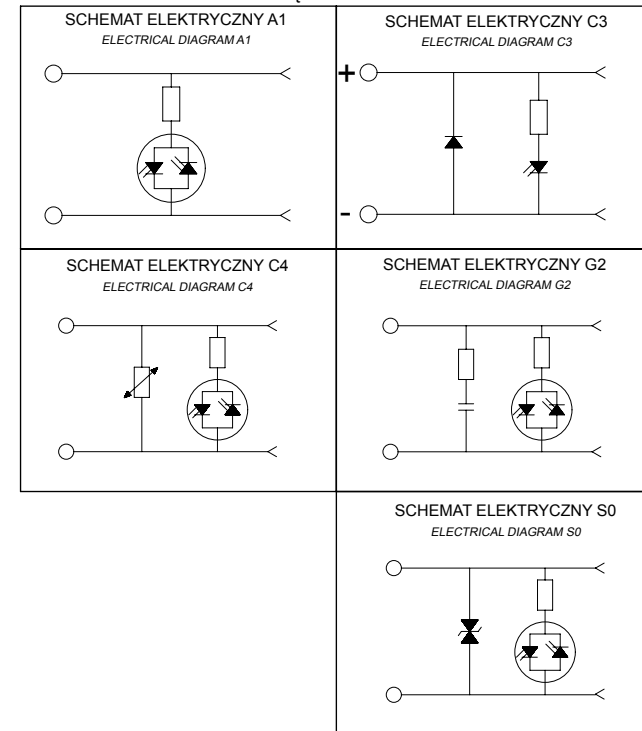
SCHEMATY POLACZEN
 /WIRING CONFIGURATION



| | | | | | | | |
|--|---------------------|---------------------------------------|---|------------------|--------------|------------------------|--|
| ORIGINAL RELEASE EC NO: WEUS2009-0479 DRWIN: MWOLSZCZAK 2009/05/20 CHYKD: MDABROWSKA 2009/05/20 APPR: GOGRODNIK 2009/05/20 | QUALITY SYMBOLS | GENERAL TOLERANCES (UNLESS SPECIFIED) | DIMENSION STYLE | SCALE | DESIGN UNITS | FIRST ANGLE PROJECTION | |
| | ▼=0 ▽=0 | mm INCH | MM ONLY | --- | METRIC | | |
| | DESCRIPTION | 4 PLACES ± --- ± --- | DRAWN BY DATE | TITLE | | | |
| | | 3 PLACES ± --- ± --- | MLEVYTSKY 2009/05/05 | MPM A06 ADAPTORS | | | |
| | | 2 PLACES ± --- ± --- | CHECKED BY DATE | MATERIAL NO. | | | |
| | 1 PLACE ± --- ± --- | MDABROWSKA 2009/05/05 | DOCUMENT NO. | | | | |
| | ANGULAR ± --- ° | APPROVED BY DATE | SHEET NO. | | | | |
| | | MWOLSZCZAK 2009/05/05 | 1 OF 1 | | | | |
| | | | DRAFT WHERE APPLICABLE MUST REMAIN WITHIN DIMENSIONS | | | | |
| | | | SEE DRAWING | | | | |
| | | | THIS DRAWING CONTAINS INFORMATION THAT IS PROPRIETARY TO MOLEX INCORPORATED AND SHOULD NOT BE USED WITHOUT WRITTEN PERMISSION | | | | |



SCHEMATY POŁĄCZEŃ/ WIRING CONFIGURATION



| THIS DRAWING CONTAINS INFORMATION THAT IS PROPRIETARY TO MOLEX ELECTRONIC TECHNOLOGIES, LLC AND SHOULD NOT BE USED WITHOUT WRITTEN PERMISSION | | | | | | | | | |
|---|--|--|-------|--|---------|--------|-----------------|----------------|--------------|
| SYMBOLS | | DIMENSION UNITS | SCALE | CURRENT REV DESC: | | | | | |
| ∇ = 0 | | mm | 1:1 | EC NO: 607661 DRWN: MCELEJEWSKI 2018/11/14 CHK'D: DSTACHOWIAK 2018/11/15 APPR: DSTACHOWIAK 2018/11/15 INITIAL REVISION: DRWN: JMARSZALEK 2013/02/11 APPR: MIWASIECZKO 2013/02/12 | | | | | |
| ∇ = 0 | | GENERAL TOLERANCES (UNLESS SPECIFIED) | | | | | | | |
| ∇ = 0 | | ANGULAR TOL ± ° | | | | | | | |
| ∇ = 0 | | 4 PLACES | ± | | | | | | |
| ∇ = 0 | | 3 PLACES | ± | | | | | | |
| ∇ = 0 | | 2 PLACES | ± | DOCUMENT NUMBER: SD-121001-006 DOC TYPE: PSD DOC PART: 001 REVISION: A1 | | | | | |
| ∇ = 0 | | 1 PLACE | ± | | | | | | |
| ∇ = 0 | | 0 PLACES | ± | | | | | | |
| ∇ = 0 | | DRAFT WHERE APPLICABLE MUST REMAIN WITHIN DIMENSIONS | | THIRD ANGLE PROJECTION | DRAWING | SERIES | MATERIAL NUMBER | CUSTOMER | SHEET NUMBER |
| ∇ = 0 | | | | | A4-SIZE | 121001 | SEE SHEET 2 | GENERAL MARKET | 1 OF 2 |

| | | | | |
|-----------------|----|--------------|------------|----------|
| DOCUMENT STATUS | P1 | RELEASE DATE | 2018/11/15 | 10:10:34 |
|-----------------|----|--------------|------------|----------|

PART LIST

| MOLEX PN | ENG. NO | CIRCUIT TYPE | LED COLOR |
|------------|---------|--------------|-----------|
| 1210010189 | A06A11 | A1 12V | RED |
| 1210010190 | A06A12 | A1 24V | RED |
| 1210010191 | A06A13 | A1 48V | RED |
| 1210010192 | A06A14 | A1 115V | RED |
| 1210010193 | A06A15 | A1 230V | RED |
| 1210010194 | A06A1B | A1 24V | GREEN |
| 1210010197 | A06A1H | A1 24V | YELLOW |
| 1210010198 | A06A1K | A1 48V | YELLOW |
| 1210010199 | A06A1L | A1 115V | YELLOW |
| 1210010200 | A06A1M | A1 230V | YELLOW |
| 1210010202 | A06C32 | C3 24V | RED |
| 1210010205 | A06C35 | C3 230V | RED |
| 1210010206 | A06C3B | C3 24V | GREEN |
| 1210010207 | A06C3H | C3 24V | YELLOW |
| 1210010209 | A06C41 | C4 12V | RED |
| 1210010210 | A06C42 | C4 24V | RED |
| 1210010211 | A06C43 | C4 48V | RED |
| 1210010212 | A06C44 | C4 115V | RED |
| 1210010213 | A06C45 | C4 230V | RED |
| 1210010214 | A06C4B | C4 24V | GREEN |
| 1210010215 | A06C4C | C4 48V | GREEN |
| 1210010216 | A06C4D | C4 115V | GREEN |
| 1210010217 | A06C4E | C4 230V | GREEN |
| 1210010218 | A06C4G | C4 12V | YELLOW |
| 1210010219 | A06C4H | C4 24V | YELLOW |
| 1210010220 | A06C4L | C4 115V | YELLOW |
| 1210010221 | A06C4M | C4 230V | YELLOW |
| 1210010222 | A06G21 | G2 12V | RED |
| 1210010223 | A06G22 | G2 24V | RED |
| 1210010224 | A06G23 | G2 48V | RED |
| 1210010225 | A06G24 | G2 115V | RED |
| 1210010226 | A06G25 | G2 230V | RED |
| 1210010228 | A06G2B | G2 24V | GREEN |
| 1210010229 | A06G2D | G2 115V | GREEN |
| 1210010230 | A06G2E | G2 230V | GREEN |
| 1210010231 | A06G2H | G2 24V | YELLOW |
| 1210010232 | A06G2K | G2 48V | YELLOW |
| 1210010233 | A06G2L | G2 115V | YELLOW |
| 1210010234 | A06G2M | G2 230V | YELLOW |
| 1210010236 | A06S02 | S0 24V | RED |
| 1210010240 | A06S0H | S0 24V | YELLOW |
| 1210010241 | A06S0L | S0 115V | YELLOW |
| 1210010420 | A06C4A | C4 12V | GREEN |
| 1210010437 | A06A1E | A1 230V | GREEN |
| 1210010447 | A06A1D | A1 115V | GREEN |
| 1210010500 | A06S0K | S0 48V | YELLOW |

PART No MATRIX



INTERNAL CIRCUIT

VOLTAGE AND LED COLOR

| | | | | | |
|---------|---------|---------|-----------|---------|------------|
| 1= 12V | RED LED | A= 12V | GREEN LED | G= 12V | YELLOW LED |
| 2= 24V | | B= 24V | | H= 24V | |
| 3= 48V | | C= 48V | | K= 48V | |
| 4= 115V | | D= 115V | | L= 115V | |
| 5= 230V | | E= 230V | | M= 230V | |

| ITEM | QTY | DESCRIPTION | MATERIAL | FINISH/COLOR |
|------|-----|--------------------|----------|---------------|
| 5 | 1 | DISTANZIALE LED | - | - |
| 4 | 1 | PCB WITH COMPONENT | - | SEE PART LIST |
| 3 | 1 | CORPO STAMPATO | - | BLACK |
| 2 | - | EPOXY ER2188K5K | - | BLACK |
| 1 | - | EPOXY ER2188B | - | BLACK |

| | | | | | | | | | | | | | | | | | | | |
|--|--|------------------------|--|-------------------------------|--|--------|--|----------------|--|---|--|----------|--|----------|--|----|--|--|--|
| SYMBOLS | | | | | | | | | | THIS DRAWING CONTAINS INFORMATION THAT IS PROPRIETARY TO MOLEX ELECTRONIC TECHNOLOGIES, LLC AND SHOULD NOT BE USED WITHOUT WRITTEN PERMISSION | | | | | | | | | |
| DIMENSION UNITS | | SCALE | | CURRENT REV DESC: | | | | | | | | | | | | | | | |
| mm | | 1:1 | | EC NO: 607661 | | | | | | | | | | | | | | | |
| GENERAL TOLERANCES (UNLESS SPECIFIED) | | | | DRWN: MCELEJEWSKI 2018/11/14 | | | | | | | | | | | | | | | |
| ANGULAR TOL ± ° | | | | CHK'D: DSTACHOWIAK 2018/11/15 | | | | | | | | | | | | | | | |
| 4 PLACES ± | | | | APPR: DSTACHOWIAK 2018/11/15 | | | | | | | | | | | | | | | |
| 3 PLACES ± | | | | INITIAL REVISION: | | | | | | | | | | | | | | | |
| 2 PLACES ± | | | | DRWN: JMARSZALEK 2013/02/11 | | | | | | | | | | | | | | | |
| 1 PLACE ± | | | | APPR: MIWASIECZKO 2013/02/12 | | | | | | | | | | | | | | | |
| 0 PLACES ± | | | | DOCUMENT NUMBER | | | | DOC TYPE | | | | DOC PART | | REVISION | | | | | |
| DRAFT WHERE APPLICABLE MUST REMAIN WITHIN DIMENSIONS | | THIRD ANGLE PROJECTION | | DRAWING | | SERIES | | SD-121001-006 | | | | PSD | | 001 | | A1 | | | |
| A4-SIZE | | 121001 | | SEE SHEET 2 | | | | GENERAL MARKET | | | | 2 OF 2 | | | | | | | |

| | | | | |
|-----------------|----|--------------|------------|----------|
| DOCUMENT STATUS | P1 | RELEASE DATE | 2018/11/15 | 10:10:34 |
|-----------------|----|--------------|------------|----------|