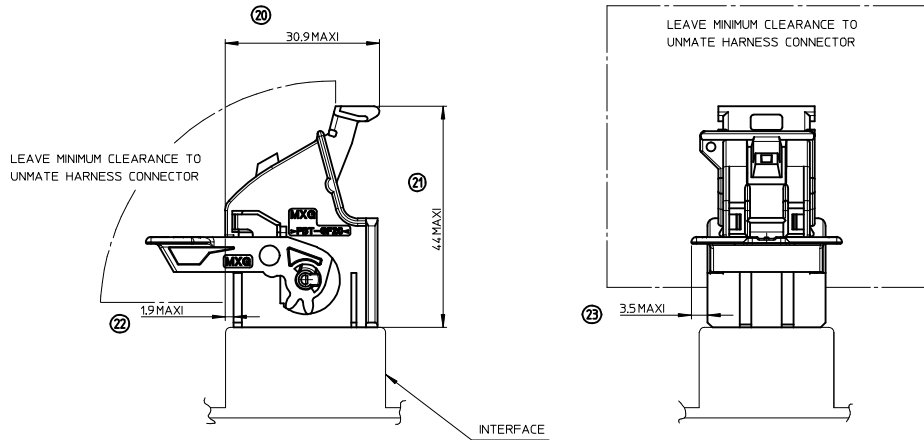
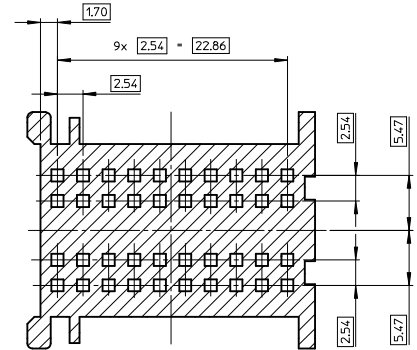


MOLEX P/N	0989821021	BLACK	MOLEX P/N	0989821028	GREY	MOLEX P/N	0989821020	WHITE	MOLEX P/N	0989821026	BLUE
-----------	------------	-------	-----------	------------	------	-----------	------------	-------	-----------	------------	------

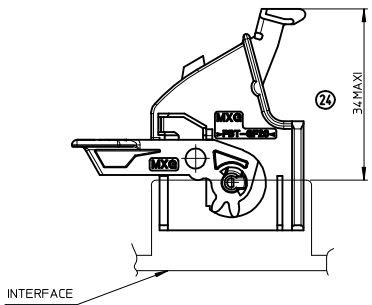
CLEARANCE FOR CONNECTOR MATE AND UNMATE
2:1



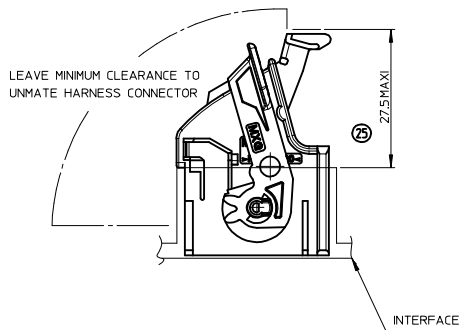
CAVITY LOCATION
4:1



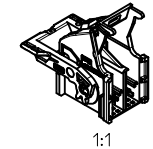
TRAVEL TO ELECTRIC CONTACT
2:1



CONNECTOR FULLY MATED
2:1

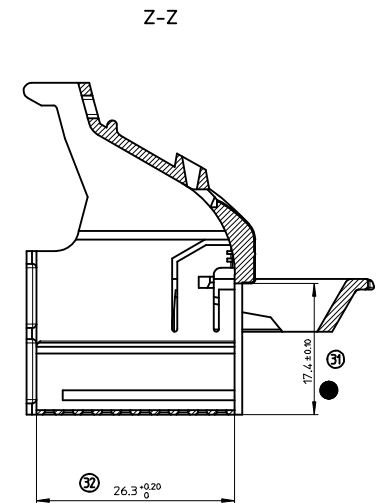
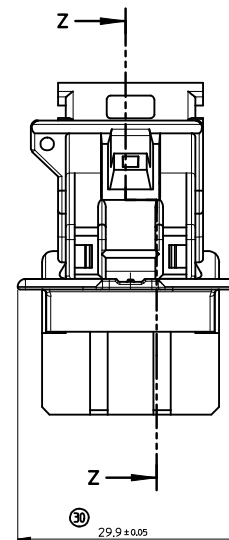
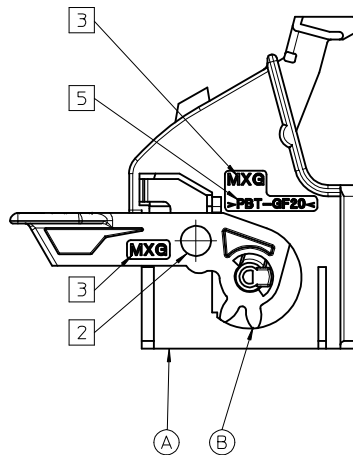
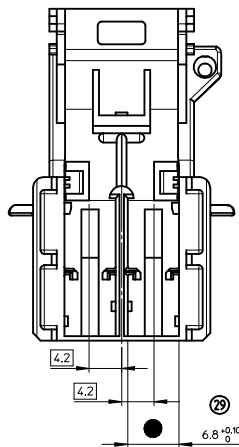
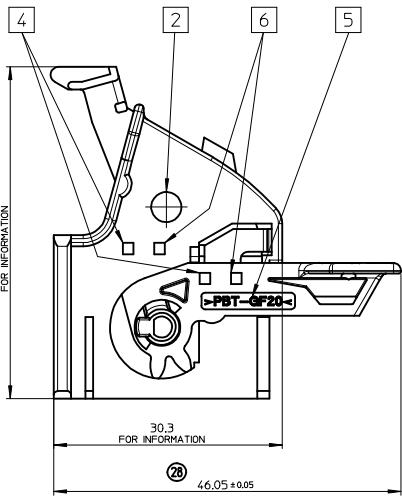
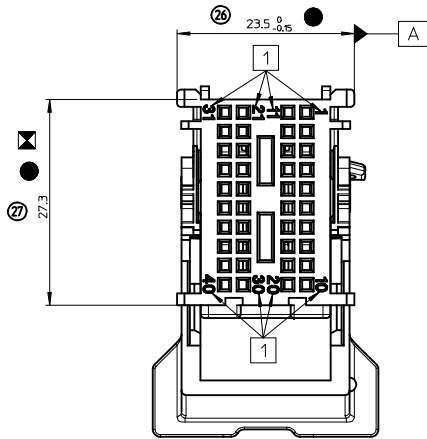


<ul style="list-style-type: none"> INDICATION DIMENSIONS S.P.C DENOTES 'S.P.C DIMENSIONS' INDICATION DIMENSIONS CRITIQUES DENOTES 'CRITICAL DIMENSIONS' INDICATION DIMENSIONS FONCTIONNELLES DENOTES 'FUNCTIONAL DIMENSIONS' 	<p>QUANTITE PAR FEUILLE INDIVIDUELLE QUANTITY PER INDIVIDUAL SHEET</p>
<ul style="list-style-type: none"> 0 0 15 	



FIRST RELEASE EC NO: GZ008-0096 DRAWN: LPOUCHAUD 2007/10/15 CHECKED: YIGEL 2007/10/15 APPROVAL: LSTICKEIR 2007/10/15	QUALITY SYMBOLS $\nabla=0$ $\nabla=0$	GENERAL TOLERANCES (UNLESS SPECIFIED)		DIMENSION STYLE MM ONLY		SCALE 3:1	DESIGN UNITS METRIC	THIRD ANGLE PROJECTION
		4 PLACES ± --- ± --- 3 PLACES ± --- ± --- 2 PLACES ± 0.05 ± --- 1 PLACE ± 0.10 ± --- ANGULAR ± 2°	mm INCH	DRAWN BY LPOUCHAUD	DATE 2007/09/05	CHECKED BY YIGEL	DATE 2007/09/05	TITLE MOX MOUNT HSG RCPT CONN 40CKT
DRAFT WHERE APPLICABLE MUST REMAIN WITHIN DIMENSIONS		APPROVED BY LSTICKEIR		DATE 2007/09/10		MATERIAL NO. MOLEX INCORPORATED		
			SEE CHART			DOCUMENT NO. SD-98982-002		SHEET NO. 1 OF 2
THIS DRAWING CONTAINS INFORMATION THAT IS PROPRIETARY TO MOLEX INCORPORATED AND SHOULD NOT BE USED WITHOUT WRITTEN PERMISSION								

⊠	INDICATION DIMENSIONS S.P.C DENOTES S.P.C DIMENSIONS
⊗	INDICATION DIMENSIONS CRITIQUES DENOTES CRITICAL DIMENSIONS
●	INDICATION DIMENSIONS FONCTIONNELLES DENOTES FUNCTIONAL DIMENSIONS
QUANTITE PAR FEUILLE INDIVIDUELLE QUANTITY PER INDIVIDUAL SHEET	
⊠ 1	⊗ 0
● 4	



MARKINGS

- 1 - CAVITY NUMBER
- 2 - DATUM MONTH/YEAR
- 3 - MOLEX MARK
- 4 - IMPRESSION MARK
- 5 - RAW MATERIAL
- 6 - REVISION LEVEL

NOTES :

- FOR ILLUSTRATION PURPOSE, THE MOX HOUSING SHOWN IS THE BLACK CODING P/N 0989821021. FOR OTHER COLOR VERSION, SEE CODING CHART.
- PRODUCT QUALIFIED ACCORDING TO PSA NORM: 9629764699A.
- APPLICATION SPECIFICATION: RAS-98982-001.
- INTERFACE DRAWING IS THE PROPERTY FROM PSA: 9633297199
- IN THE MOX HOUSING RECEPTACLE CONNECTOR, MOUNT JUST MOLEX MODULE 0989821010 AND 0989821016.

FIRST RELEASE
EC NO: GZ008-0096
DRAWN BY: LPOUCHAUD 2007/10/15
CHKD BY: YIGEL 2007/10/15
APPROVAL: LSTICKEIR 2007/10/15

Item	Amount	Unit	Description	Part-Number	Color	Material	Weight Calculated
B	1	Piece	MOX Rcpt Conn Lever Bk 40CKT	0989820031	BLACK	>PBT-GF20<	1.891 g
A	1	Piece	MOX Mounting HSG Rcpt Bk 40CKT	0989820021	BLACK	>PBT-GF20<	6.087 g

QUALITY SYMBOLS	GENERAL TOLERANCES (UNLESS SPECIFIED)	
	mm	INCH
▽=0	4 PLACES ± ---	± ---
▽=0	3 PLACES ± ---	± ---
▽=0	2 PLACES ± 0.05	± ---
▽=0	1 PLACE ± 0.10	± ---
	ANGULAR ± 2 °	

DIMENSION STYLE		SCALE	DESIGN UNITS	THIRD ANGLE PROJECTION
MM ONLY		3:1	METRIC	☐

DRAWN BY		DATE	TITLE
LPOUCHAUD		2007/09/05	MOX MOUNT HSG RCPT CONN 40CKT
CHECKED BY		DATE	
YIGEL		2007/09/05	
APPROVED BY		DATE	
LSTICKEIR		2007/09/10	
MATERIAL NO.		DOCUMENT NO.	
SEE CHART		SD-98982-002	
DRAFT WHERE APPLICABLE MUST REMAIN WITHIN DIMENSIONS		THIS DRAWING CONTAINS INFORMATION THAT IS PROPRIETARY TO MOLEX INCORPORATED AND SHOULD NOT BE USED WITHOUT WRITTEN PERMISSION	