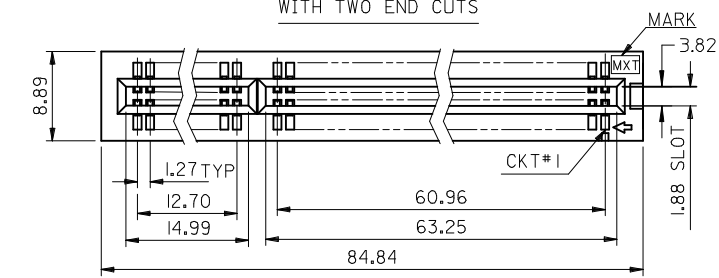
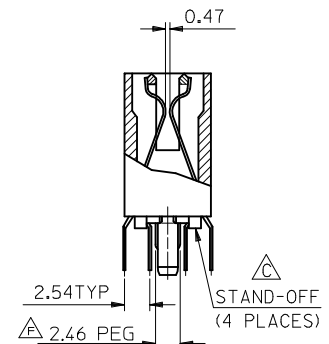
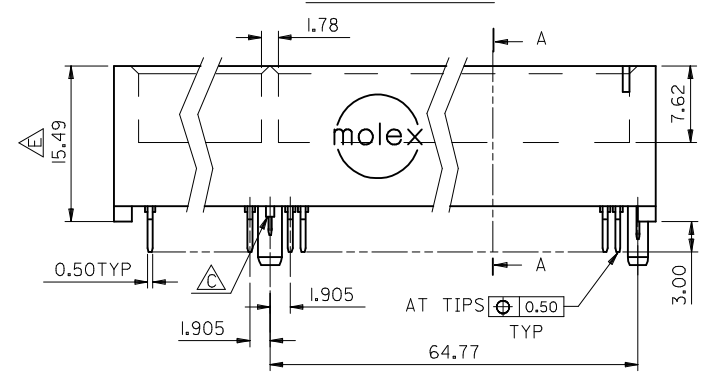


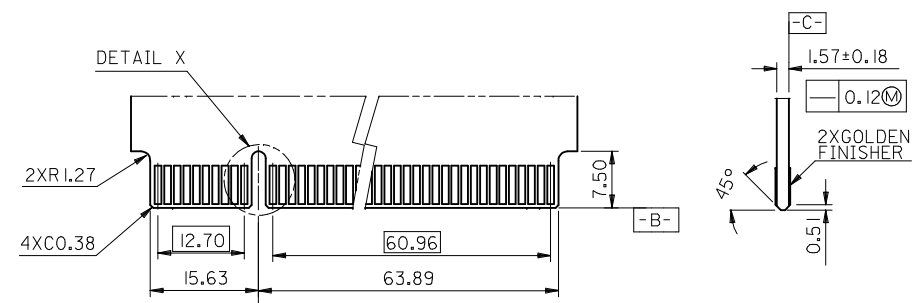
WITH TWO END CUTS



WITH ONE END CUT



SECTION A-A

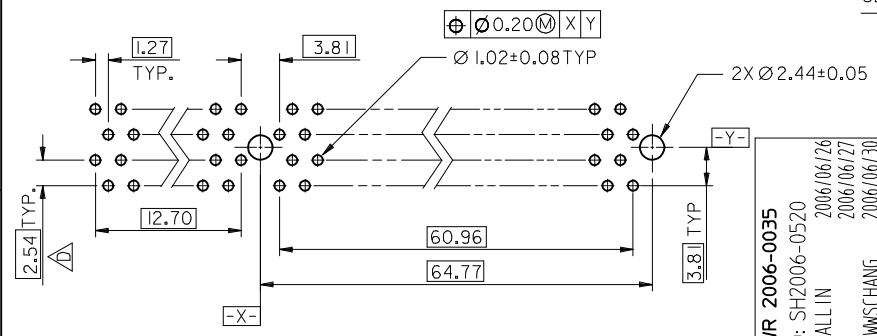


RECOMMENDED MATING P.C. BOARD EDGE CONFIGURATION

- NOTES:
- MATERIAL: HOUSING: PPS; TERMINAL: PHOSPHOR BRONZE.
  - FINISH 0: GOLD FLASH IN CONTACT AREA.
  - 1: 152 MICROMETER / 60 MICROINCH MIN. MAT TIN IN SOLDER TAIL. BOTH OVER 0.76 MICROMETER / 30 MICROINCH MIN. NICKEL OVERALL.
  - 2: 0.25 MICROMETER / 10 MICROINCH GOLD IN CONTACT AREA.
  - 3: 152 MICROMETER / 60 MICROINCH MIN. MAT TIN IN SOLDER TAIL. BOTH OVER 0.76 MICROMETER / 30 MICROINCH MIN. NICKEL OVERALL.
  - 4: 0.38 MICROMETER / 15 MICROINCH GOLD IN CONTACT AREA.
  - 5: 152 MICROMETER / 60 MICROINCH MIN. MAT TIN IN SOLDER TAIL. BOTH OVER 0.76 MICROMETER / 30 MICROINCH MIN. NICKEL OVERALL.
  - 6: 0.76 MICROMETER / 30 MICROINCH GOLD IN CONTACT AREA.
  - 7: 152 MICROMETER / 60 MICROINCH MIN. MAT TIN IN SOLDER TAIL. BOTH OVER 0.76 MICROMETER / 30 MICROINCH MIN. NICKEL OVERALL.
  - 8: 0.50 MICROMETER / 20 MICROINCH GOLD IN CONTACT AREA.
  - 9: 152 MICROMETER / 60 MICROINCH MIN. MAT TIN IN SOLDER TAIL. BOTH OVER 0.76 MICROMETER / 30 MICROINCH MIN. NICKEL OVERALL.

△ PART NO. LEGEND : 89177 - 6 0 \* \*

PEG VERSION & COLOR	PLATING VERSION
0 : STANDARD ; BROWN ,WITH ONE END CUT	0
1 : STANDARD ; WHITE ,WITH ONE END CUT	1
2 : STANDARD ; BROWN ,WITH TWO END CUTS	2
3 : STANDARD ; WHITE ,WITH TWO END CUTS	4



RECOMMENDED CONNECTOR MOUNTING HOLE PATTERN

<b>EWR 2006-0035</b> EC NO: SH2006-0520 DRWN: ALL IN 2006/06/26 CHKD: 2006/06/27 APPR: WMSCHANG 2006/06/30	QUALITY SYMBOLS ▽ = 0 ◻ = 0	GENERAL TOLERANCES (UNLESS SPECIFIED)		DIMENSION STYLE <b>MM ONLY</b>		SCALE	DESIGN UNITS	THIRD ANGLE PROJECTION	
		mm	INCH	DRAWN BY	DATE	TITLE			
REV DESCRIPTION	4 PLACES ± --- ± --- 3 PLACES ± --- ± --- 2 PLACES ± 0.25 ± --- 1 PLACE ± 0.25 ± --- ANGULAR ± 3 °	DRAFT WHERE APPLICABLE MUST REMAIN WITHIN DIMENSIONS		SEE NOTES		MOLEX INCORPORATED		SHEET NO. 1 OF 1	
		THIS DRAWING CONTAINS INFORMATION THAT IS PROPRIETARY TO MOLEX INCORPORATED AND SHOULD NOT BE USED WITHOUT WRITTEN PERMISSION		SDA-89177-60**		MOLEX INCORPORATED		SDA-89177-60**	