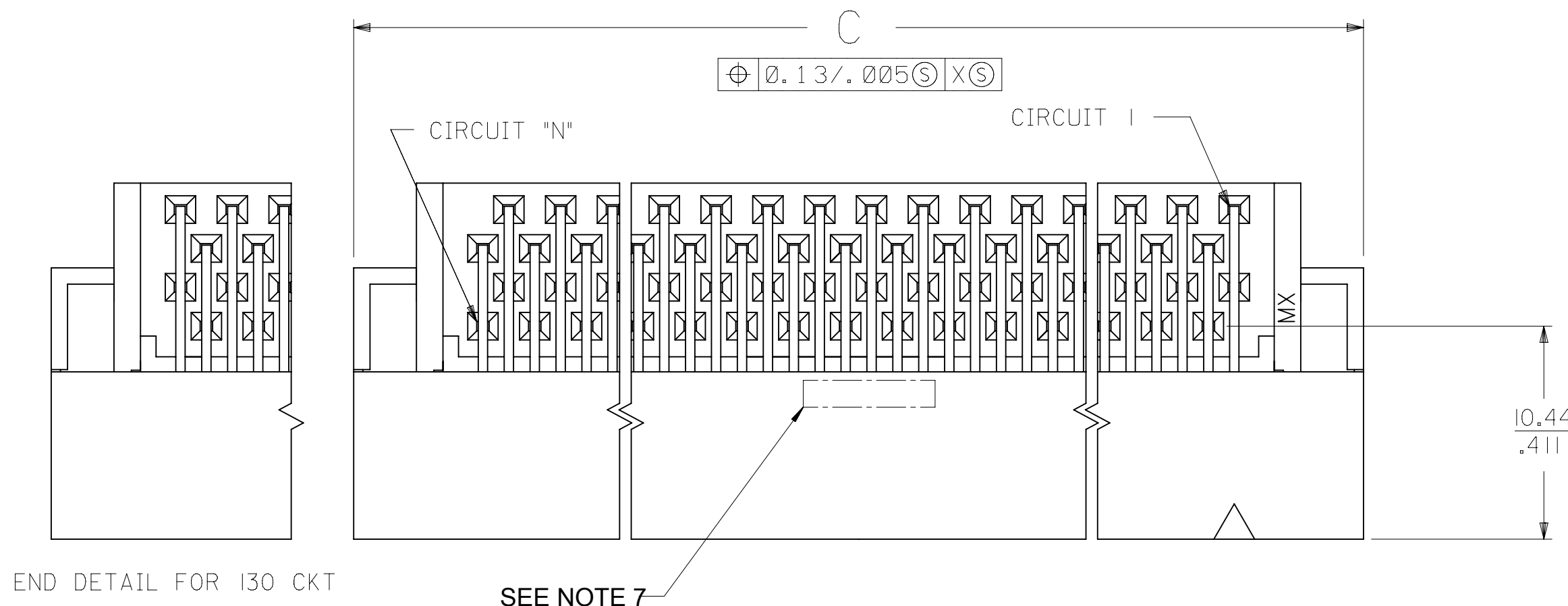
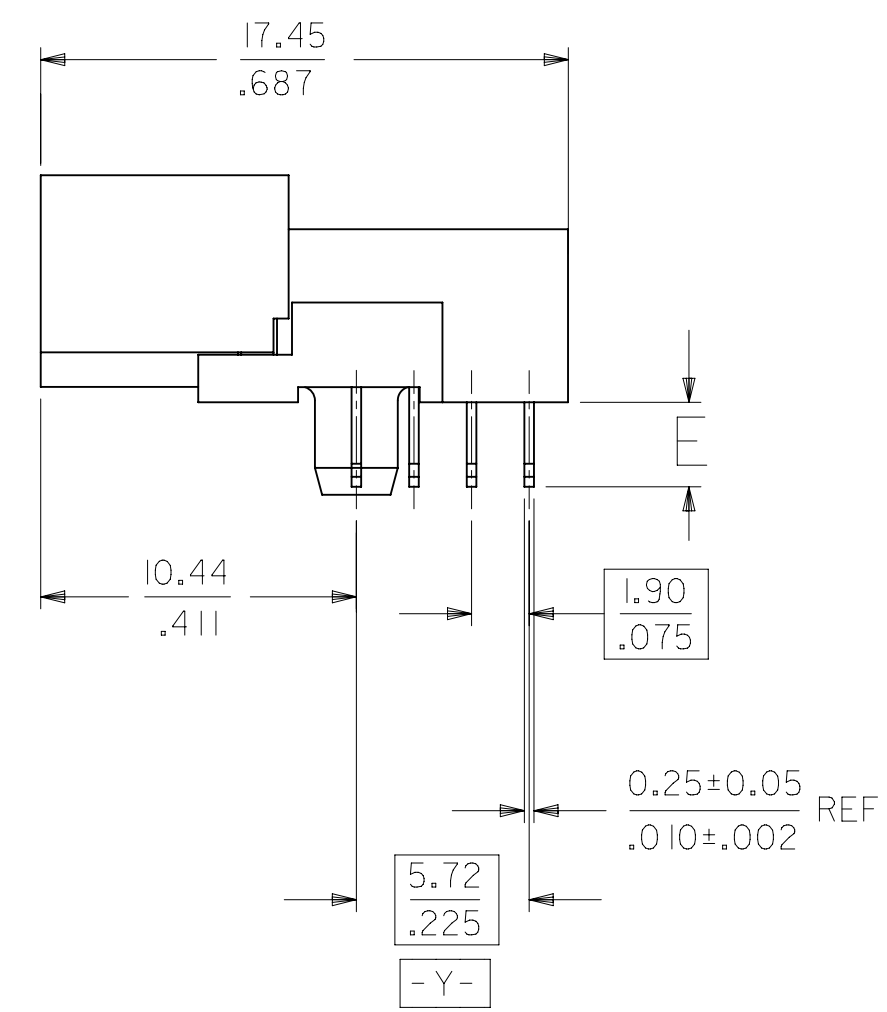
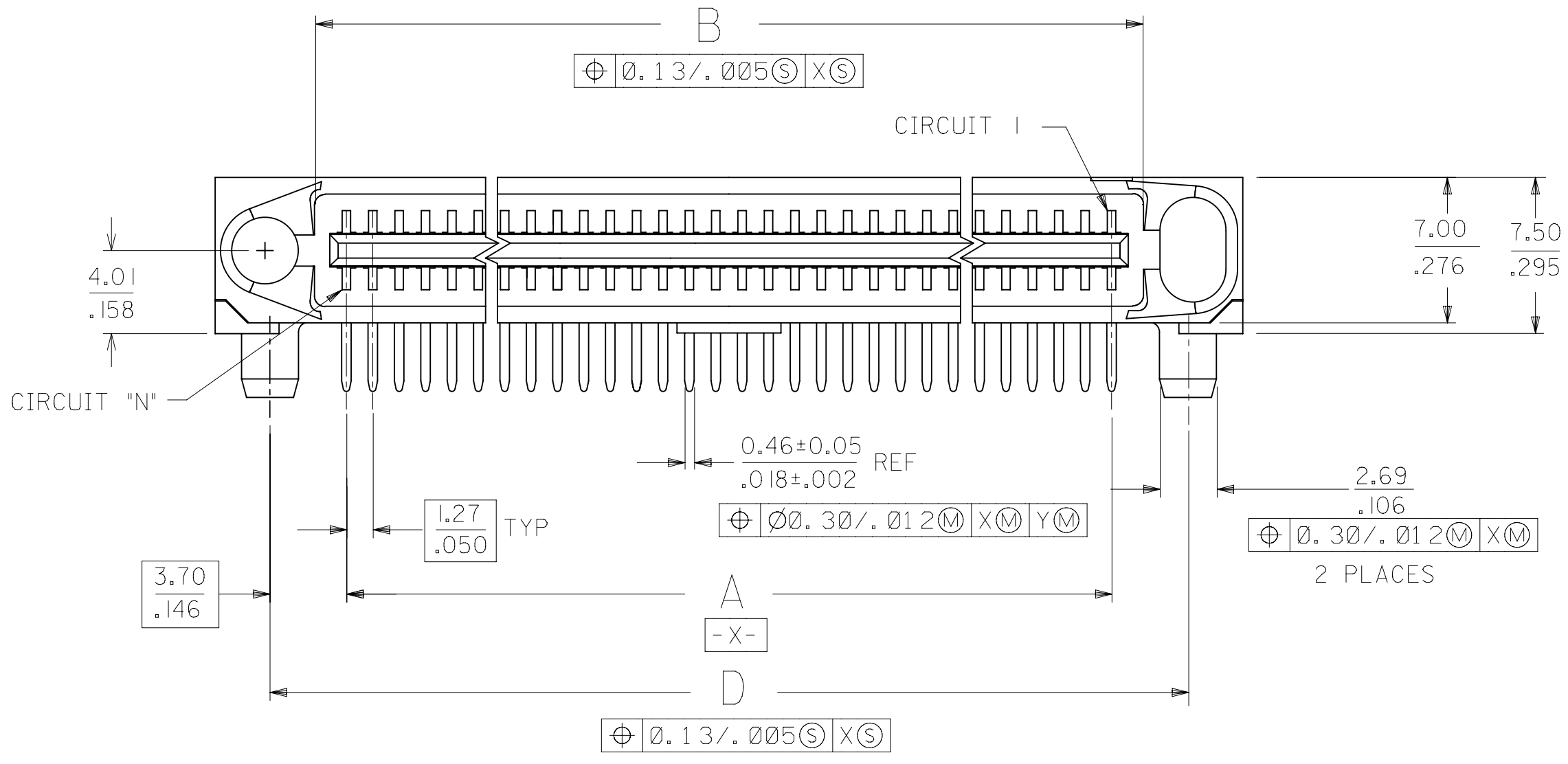


NOTES:

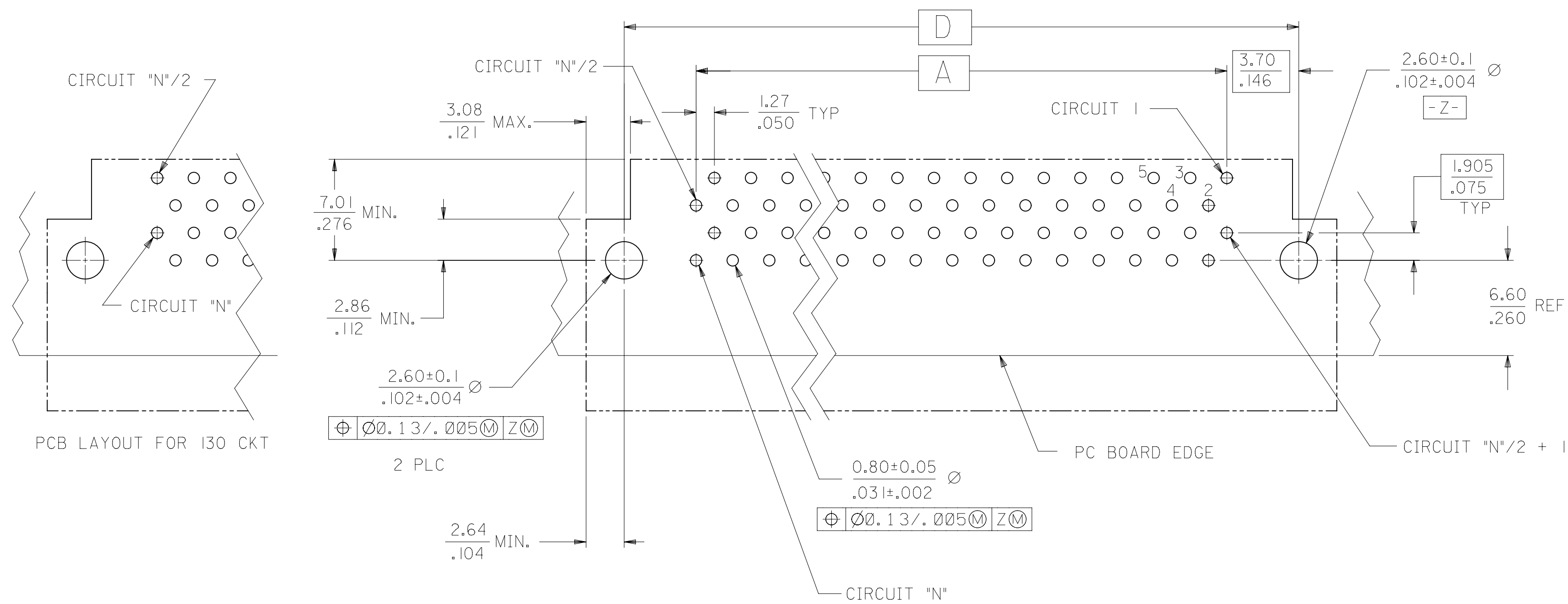
1. MATERIAL:
HOUSING: LIQUID CRYSTAL POLYMER (LCP), GLASS-FILLED, UL94V-0,
COLOR: BLACK
TERMINALS: BRASS
2. FINISH:
TERMINAL: 0.76 MICROMETERS/30 MICROINCHES MINIMUM SELECTIVE GOLD
IN CONTACT AREA; 1.27 MICROMETERS/50 MICROINCHES MINIMUM
SELECTIVE TIN IN THE PC TAIL AREA; NICKEL UNDERPLATE OVERALL.
3. CONFORMS TO PRODUCT SPEC: PS-71660
4. PRODUCT PACKAGED PER PK-70873-084*
5. ASSEMBLY MATES WITH MOLEX P/N SDA-71660-7***
6. RECOMMENDED PC BOARD THICKNESS IS 1.6 MM/.062 IN
7. FOUR DIGIT DATE CODE (WK.YR.) EXAMPLE 26 96 LOCATED IN AREA SHOWN



END DETAIL FOR 130 CKT



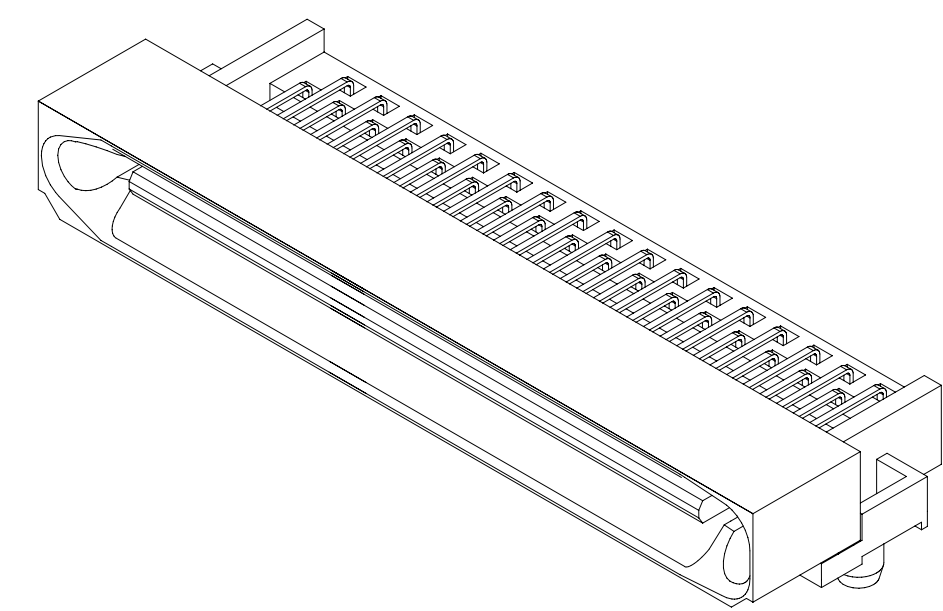
THIS DRAWING CONTAINS INFORMATION THAT IS PROPRIETARY TO MOLEX ELECTRONIC TECHNOLOGIES, LLC AND SHOULD NOT BE USED WITHOUT WRITTEN PERMISSION												
DIMENSION UNITS		SCALE		CURRENT REV DESC: REMOVED OBSOLETE PART NUMBER AS PER PCN#509989.								
MM/IN		4:1										
GENERAL TOLERANCES (UNLESS SPECIFIED)				EC NO: 708673		2022/05/16		SALES ASSMBLY EBBI 50D RIGHT ANGLE BLIND MATE PLUG				
				DRWN: SANTHN		2022/06/22						
4 PLACES ±				CHK'D: GGA		2022/06/22		PRODUCT CUSTOMER DRAWING				
3 PLACES ±				APPR: GGA		2022/06/22						
2 PLACES ± 0.25				INITIAL REVISION:				DOCUMENT NUMBER		DOC TYPE	DOC PART	REVISION
1 PLACE ±				DRWN: RAN		1995/04/26		SDA-71661-25XX		PSD	001	N1
0 PLACES ±				APPR: CAB		1995/04/26		MATERIAL NUMBER		CUSTOMER		SHEET NUMBER
ANGULAR TOL ± 0.5°				THIRD ANGLE PROJECTION		DRAWING		SERIES		GENERAL MARKET		1 OF 2
DRAFT WHERE APPLICABLE MUST REMAIN WITHIN DIMENSIONS						C-SIZE		71661		SEE TABLE		



PCB LAYOUT FOR 130 CKT

RECOMMENDED PC BOARD LAYOUT
COMPONENT SIDE

SEE NOTE 6



68 CIRCUIT ASSEMBLY SHOWN
SCALE 2:1

1.241 (31.53)	1.449 (36.80)	1.070 (27.18)	.950 (24.13)	.110 (2.79)	40	71661-2540
D	C	B	A	E	CKT ("N")	ITEM NUMBER

THIS DRAWING CONTAINS INFORMATION THAT IS PROPRIETARY TO MOLEX ELECTRONIC TECHNOLOGIES, LLC AND SHOULD NOT BE USED WITHOUT WRITTEN PERMISSION									
DIMENSION UNITS MM/IN		SCALE 4:1		CURRENT REV DESC: REMOVED OBSOLETE PART NUMBER AS PER PCN#509989.				molex	
GENERAL TOLERANCES (UNLESS SPECIFIED)				EC NO: 708673					
				DRWN: SANTHN 2022/05/16				SALES ASSMBLY EBBI 50D RIGHT ANGLE BLIND MATE PLUG	
4 PLACES ±				CHK'D: GGA 2022/06/22					
3 PLACES ±		± 0.01		APPR: GGA 2022/06/22				PRODUCT CUSTOMER DRAWING	
2 PLACES ±		0.25 ±		INITIAL REVISION:					
1 PLACE ±				DRWN: RAN 1995/04/26				DOCUMENT NUMBER	
0 PLACES ±				APPR: CAB 1995/04/26				SDA-71661-25XX	
ANGULAR TOL ± 0.5 °				THIRD ANGLE PROJECTION		DRAWING		DOC TYPE	
DRAFT WHERE APPLICABLE MUST REMAIN WITHIN DIMENSIONS				C-SIZE		SERIES		DOC PART	
				71661		MATERIAL NUMBER		REVISION	
				SEE TABLE		CUSTOMER		PSD 001 N1	
				GENERAL MARKET		SHEET NUMBER		2 OF 2	