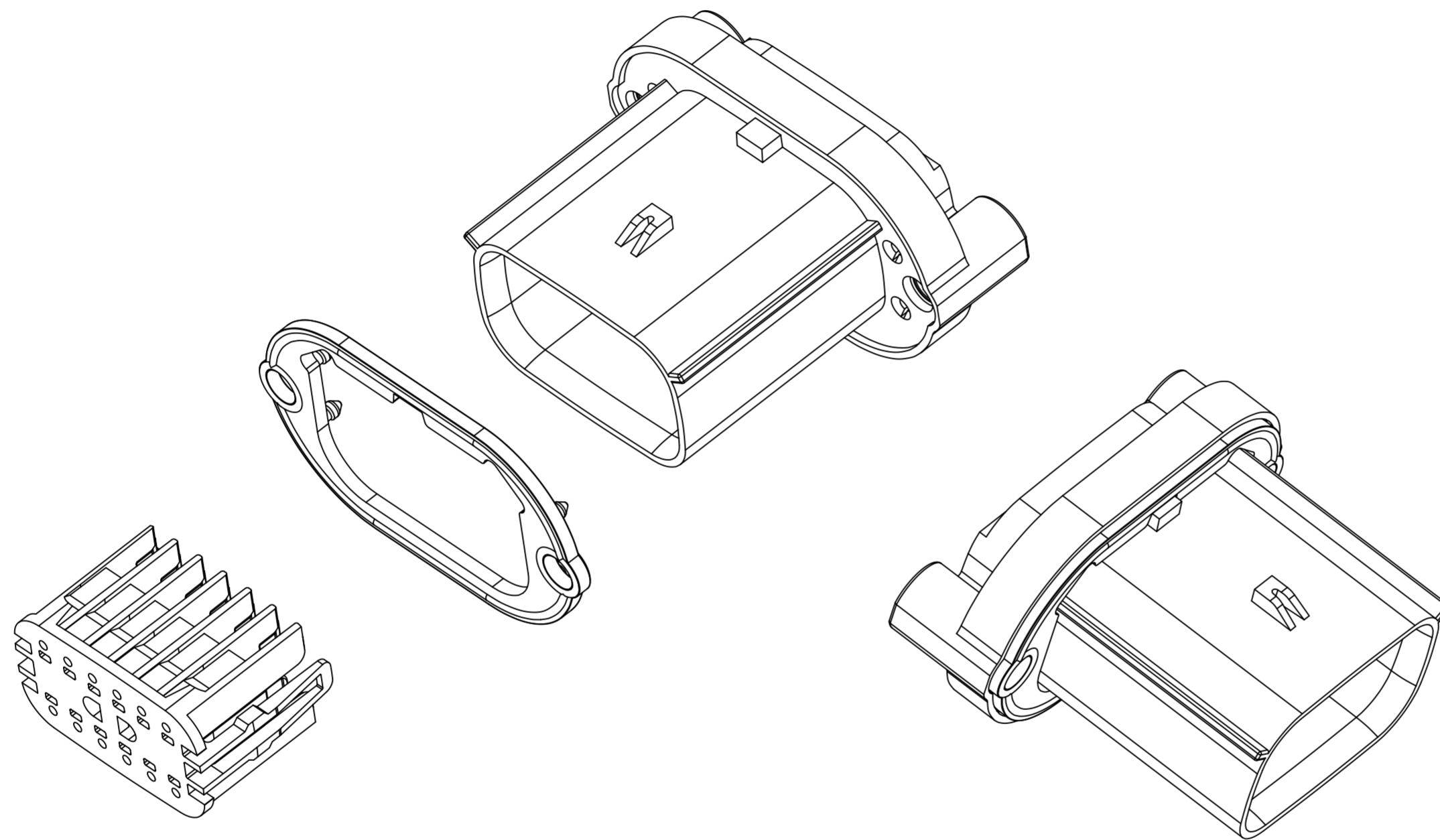


### TABLE OF CONTENTS

SHEET 1	NOTES, ISO VIEW
SHEET 2	BOM AND POLARIZATION
SHEET 3	COMPARISON UL HB PART AND UL V0
SHEET 4	DETAIL VIEWS AND SECTIONS

NOTES: VALID UNLESS OTHERWISE SPECIFIED

- APPLICATION SPECIFICATION SEE: AS-47725-001
- PRODUCT SPECIFICATION SEE: PS-47725-000
- PARTS MUST BE IN COMPLIANCE TO MOLEX CHEMICAL SUBSTANCES FOR PRODUCTS AND PACKAGING SPECIFICATION: ES-40000-5016
- MATERIALS:
  - HOUSING:
    - UL HB PART: PBT, 15% GLASS FILLED
    - UL V0 PART: PA6, 30% GLASS FILLED
  - TPA:
    - UL HB PART: SPS/NYLON BLEND, 20% GLASS FILLED
    - UL V0 PART: PA6, 30% GLASS FILLED
  - GASKET: SILICONE
- SHIPPED PART WITH TPA IN PRE-LOCK POSITION
- DESIGNED TO MATE WITH MX150 RECEPTACLE CONNECTOR ASSEMBLY
- FOR ESSENTIAL PARTS (TERMINAL, WIRE ETC.) AND INSTALLATION TO COMPLETE ASSEMBLY SEE MOLEX PRODUCT SPECIFICATION PS-33472-000

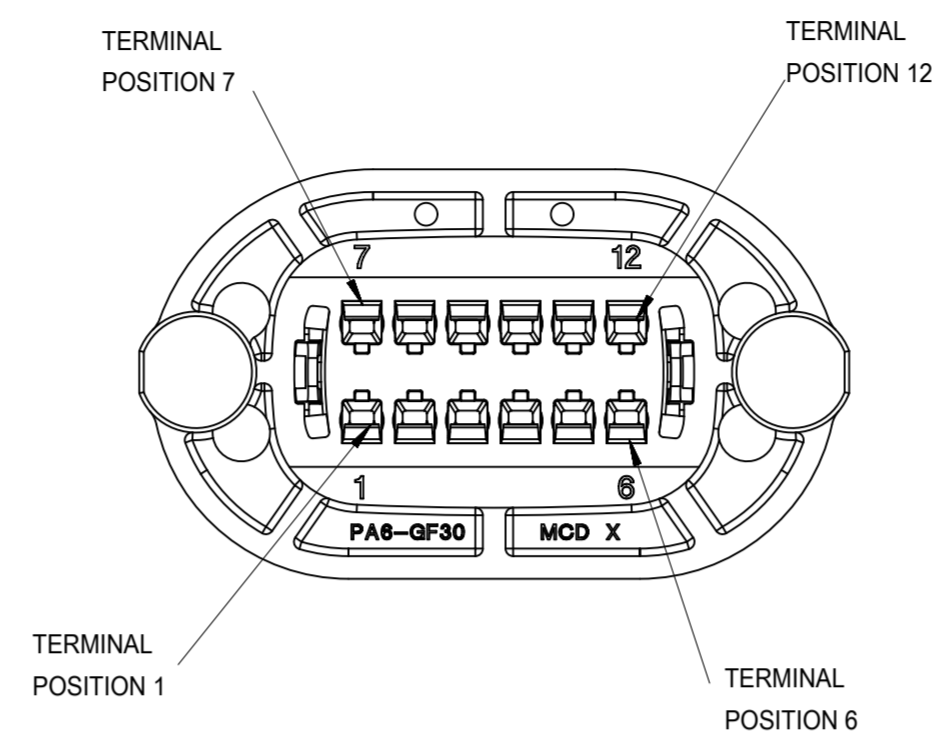
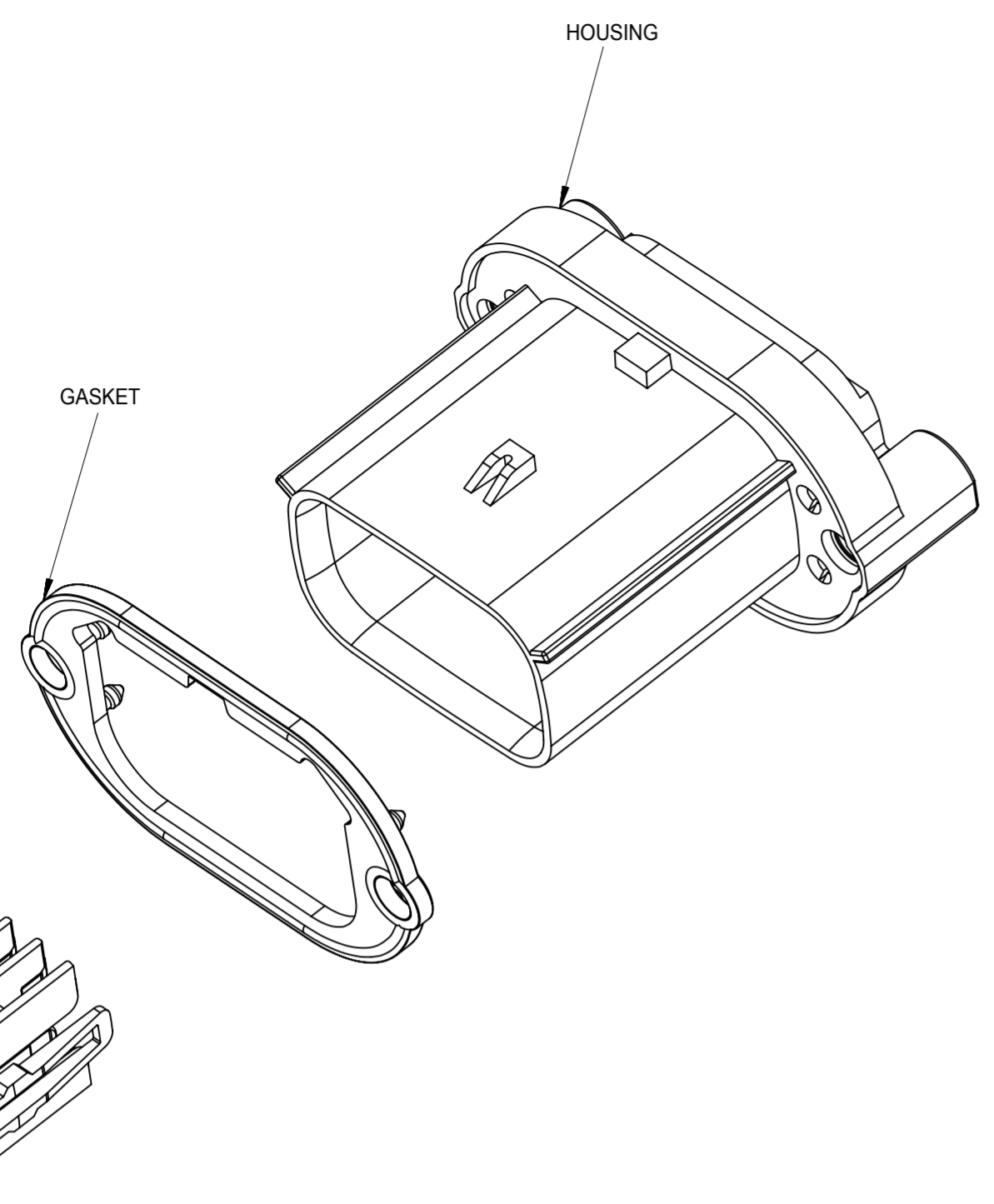


C1	CHANGE THE 477256020 AND 477257020 FROM SALEABLE TO OK TO TOOL IN BOM SHEET 2
C	ADD POLARIZATION DIMENSIONS A AND B IN SHEET 2
B4	ADD BOM IN SHEET 2
B3	UPDATED STATUS FOR EACH PRODUCT NUMBER ADDED PART NUMBER 477258010; 477258020 477258030; 477258030
B2	ADDED DIMENSION 1b FOR V0 ADDED DIMENSION 2b FOR V0
B1	ADD P/N 477259050 UPDATE TRACEABILITY AREA
B	ADD UL V0 VERSION
A	INITIAL RELEASE
REV	DESCRIPTION

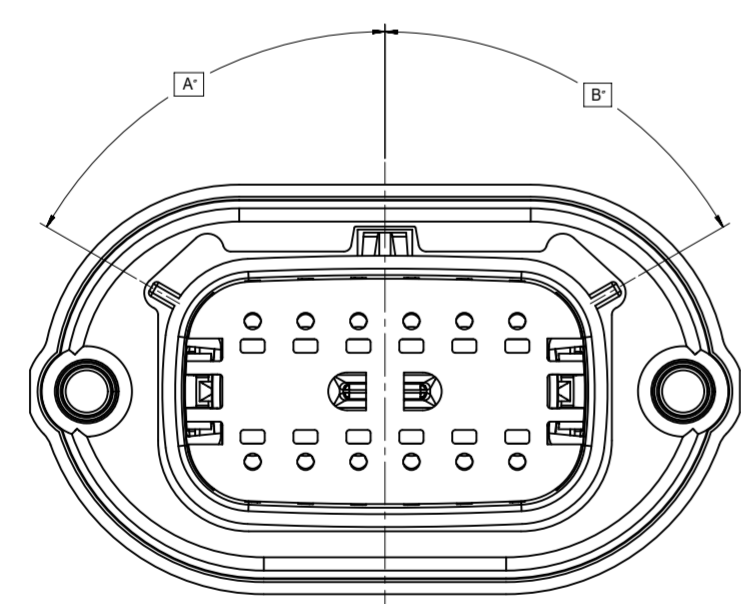
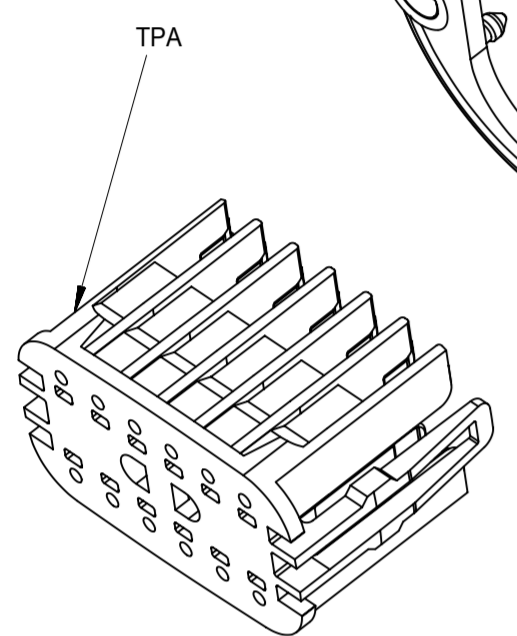
INSPECTION BALLOON NUMBER LOG	
PER DRAWING REVISION:	C1
LAST BALLOON NUMBER USED:	5
ADDED BALLOON NUMBERS:	
REMOVED BALLOON NUMBERS:	

THIS DRAWING CONTAINS INFORMATION THAT IS PROPRIETARY TO MOLEX ELECTRONIC TECHNOLOGIES, LLC AND SHOULD NOT BE USED WITHOUT WRITTEN PERMISSION										
SYMBOLS		DIMENSION UNITS		SCALE		CURRENT REV DESC:				
∇ = 0	mm	2:1		EC NO: 609127 DRWN: WKHE 2018/11/20 CHK'D: JDENG02 2018/12/17 APPR: JDENG02 2018/12/17 INITIAL REVISION: DRWN: CDZHANG 2015/11/20 APPR: CBQIU 2015/12/21						
∇ = 0	GENERAL TOLERANCES (UNLESS SPECIFIED)									
∇ = 0	ANGULAR TOL ± °									
∇ = 0	4 PLACES ±									
∇ = 0	3 PLACES ±									
∇ = 0	2 PLACES ±									
∇ = 0	1 PLACE ±									
∇ = 0	0 PLACES ±			DRAFT WHERE APPLICABLE MUST REMAIN WITHIN DIMENSIONS		THIRD ANGLE PROJECTION		DRAWING		
∇ = 0	A2-SIZE		SERIES		MATERIAL NUMBER		CUSTOMER		SHEET NUMBER	
		47725		ON SHEET 2		GENERAL MARKET		1 OF 4		

<b>molex</b>			
MX150 2X6 PANEL MOUNT CONNECTOR			
PRODUCT CUSTOMER DRAWING			
DOCUMENT NUMBER		DOC TYPE	DOC PART
SD-47725-601		PSD	001
		REVISION	C1



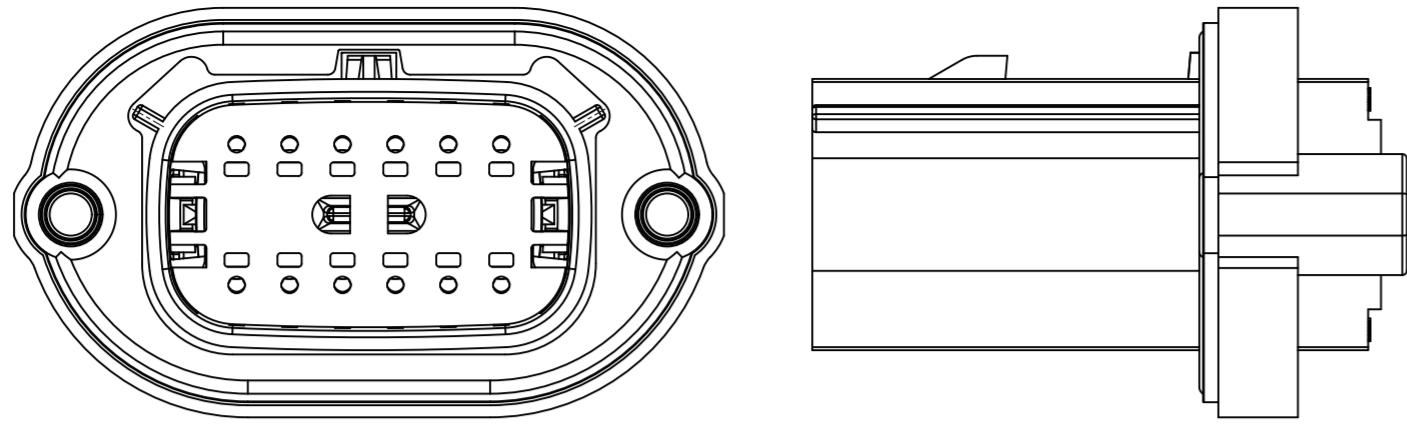
ABBREVIATION	DESCRIPTION	COLOR	MATERIAL
A-BLK-HB	HOUSING, KEY OPITION A, HB	BLACK	PBT GF15
B-LG-HB	HOUSING, KEY OPITION B, HB	LIGHT GRAY	PBT GF15
C-DG-HB	HOUSING, KEY OPITION C, HB	DARK GRAY	PBT GF15
D-SG-HB	HOUSING, KEY OPITION D, HB	STONE GRAY	PBT GF15
A-BLK-V0	HOUSING, KEY OPITION A, V0	BLACK	PA6 GF30
B-LG-V0	HOUSING, KEY OPITION B, V0	LIGHT GRAY	PA6 GF30
C-DG-V0	HOUSING, KEY OPITION C, V0	DARK GRAY	PA6 GF30
D-SG-V0	HOUSING, KEY OPITION D, V0	STONE GRAY	PA6 GF30
D-BLK-V0	HOUSING, KEY OPITION D, V0	BLACK	PA6 GF30
GASKET	GASKET	BLUE	SILICONE
TPA-HB	TPA, HB	NATURAL	SPS/NYLON GF20
TPA-V0	TPA, V0	ASH GRAY	PA6 GF30



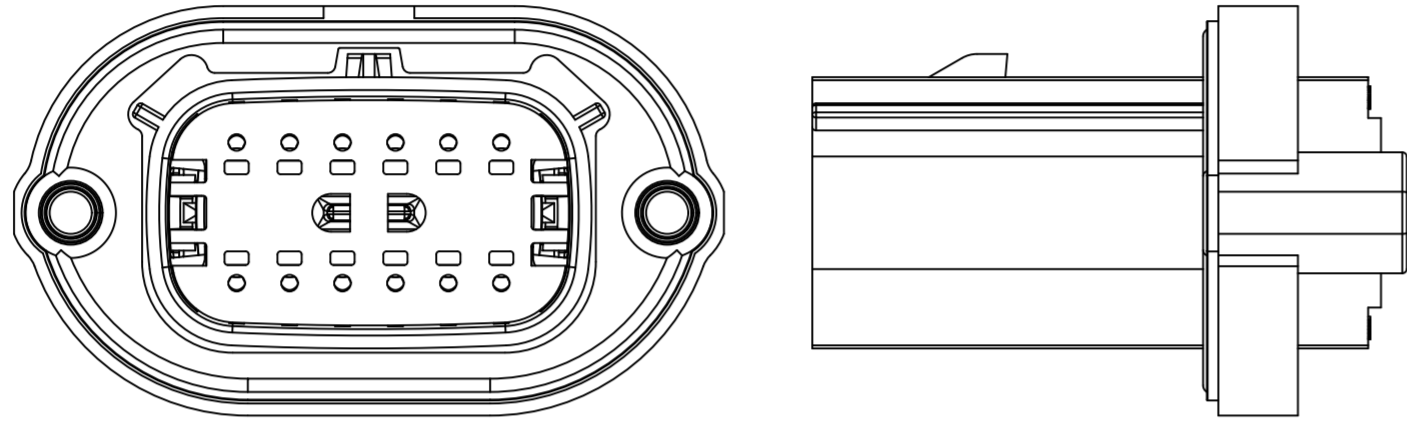
ASSEMBLY DESCRIPTION	ASSEMBLY PART NUMBER	COMPONENT			DIMENSIONS		STATUS
		THE PRESENCE OF AN ABBREVIATION INDICATES THE PRESENCE OF THAT COMPONENT			A	B	
		HOUSING KEY/COLOR	GASKET COLOR	TPA COLOR			
KEY A, BLACK, HB	477256010	A-BLK-HB	BLUE	NATURAL	60	60	SALEABLE
KEY B, LIGHT GRAY, HB	477256020	B-LG-HB	BLUE	NATURAL	25	60	OK TO TOOL
KEY C, DARK GRAY, HB	477256030	C-DG-HB	BLUE	NATURAL	60	25	SALEABLE
KEY D, STONE GRAY, HB	477256040	D-SG-HB	BLUE	NATURAL	25	25	SALEABLE
KEY A, BLACK, HB	477257010	A-BLK-HB	BLUE	NATURAL	60	60	SALEABLE
KEY B, LIGHT GRAY, HB	477257020	B-LG-HB	BLUE	NATURAL	25	60	OK TO TOOL
KEY C, DARK GRAY, HB	477257030	C-DG-HB	BLUE	NATURAL	60	25	SALEABLE
KEY D, STONE GRAY, HB	477257040	D-SG-HB	BLUE	NATURAL	25	25	SALEABLE
KEY A, BLACK, V0	477258010	A-BLK-V0	BLUE	ASH GRAY	60	60	SALEABLE
KEY B, LIGHT GRAY, V0	477258020	B-LG-V0	BLUE	ASH GRAY	25	60	SALEABLE
KEY C, DARK GRAY, V0	477258030	C-DG-V0	BLUE	ASH GRAY	60	25	SALEABLE
KEY D, STONE GRAY, V0	477258040	D-SG-V0	BLUE	ASH GRAY	25	25	SALEABLE
KEY A, BLACK, V0	477259010	A-BLK-V0	BLUE	ASH GRAY	60	60	SALEABLE
KEY B, LIGHT GRAY, V0	477259020	B-LG-V0	BLUE	ASH GRAY	25	60	SALEABLE
KEY C, DARK GRAY, V0	477259030	C-DG-V0	BLUE	ASH GRAY	60	25	SALEABLE
KEY D, STONE GRAY, V0	477259040	D-SG-V0	BLUE	ASH GRAY	25	25	SALEABLE
KEY D, BLACK, V0	477259050	D-BLK-V0	BLUE	ASH GRAY	25	25	PLANNED OBSOLESCENCE

<b>SYMBOLS</b> DIMENSION UNITS: mm SCALE: 2:1 GENERAL TOLERANCES (UNLESS SPECIFIED) ANGULAR TOL: ± ° 4 PLACES ± 3 PLACES ± 2 PLACES ± 1 PLACE ± 0 PLACES ± DRAFT WHERE APPLICABLE MUST REMAIN WITHIN DIMENSIONS THIRD ANGLE PROJECTION	THIS DRAWING CONTAINS INFORMATION THAT IS PROPRIETARY TO MOLEX ELECTRONIC TECHNOLOGIES, LLC AND SHOULD NOT BE USED WITHOUT WRITTEN PERMISSION		<b>CURRENT REV DESC:</b> EC NO: 609127 DRWN: WKHE 2018/11/20 CHK'D: JDENG02 2018/12/17 APPR: JDENG02 2018/12/17		 MX150 2X6 PANEL MOUNT CONNECTOR PRODUCT CUSTOMER DRAWING
	INITIAL REVISION: DRWN: CDZHANG 2015/11/20 APPR: CBQIU 2015/12/21		DOCUMENT NUMBER: SD-47725-601 DOC TYPE: PSD DOC PART: 001 REVISION: C1		
	DRAFT WHERE APPLICABLE MUST REMAIN WITHIN DIMENSIONS		MATERIAL NUMBER: SEE TABLE CUSTOMER: GENERAL MARKET SHEET NUMBER: 2 OF 4		
	THIRD ANGLE PROJECTION		DRAWING: A2-SIZE SERIES: 47725		

47725-60XX  
47725-90XX

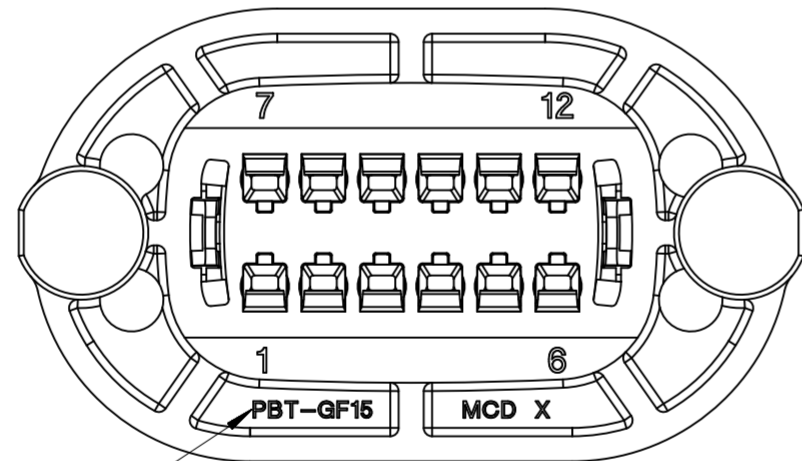


47725-70XX  
47725-80XX



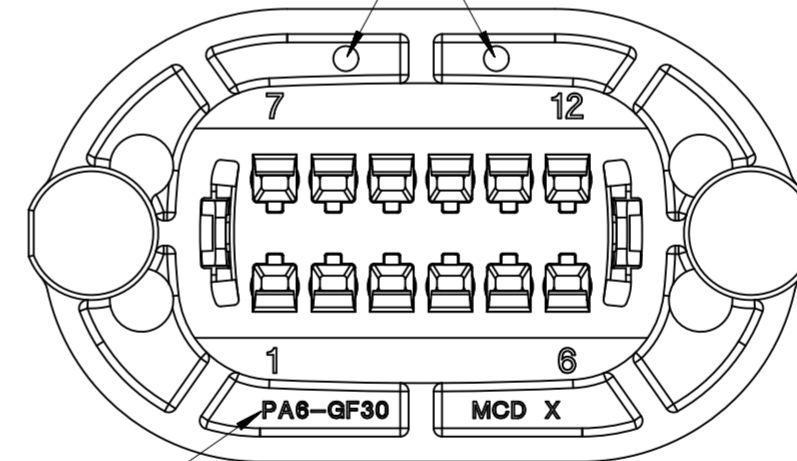
DIFFERENCE BETWEEN UL HB PART AND UL V0 PART

2 COLUMNS ADDED ON V0 PART TO  
DISTINGUISH FROM HB GRADE PART



DIFFERENCES CYCLING CODE

UL HB PART

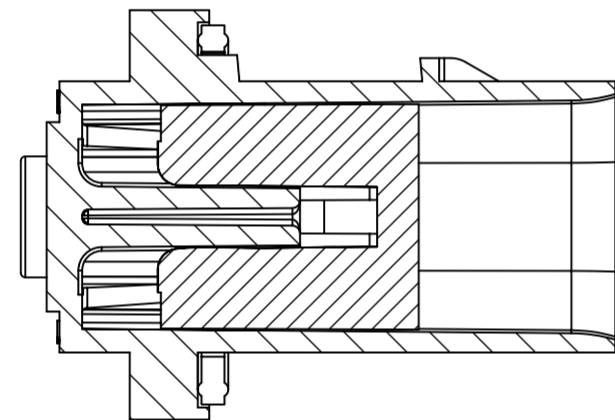
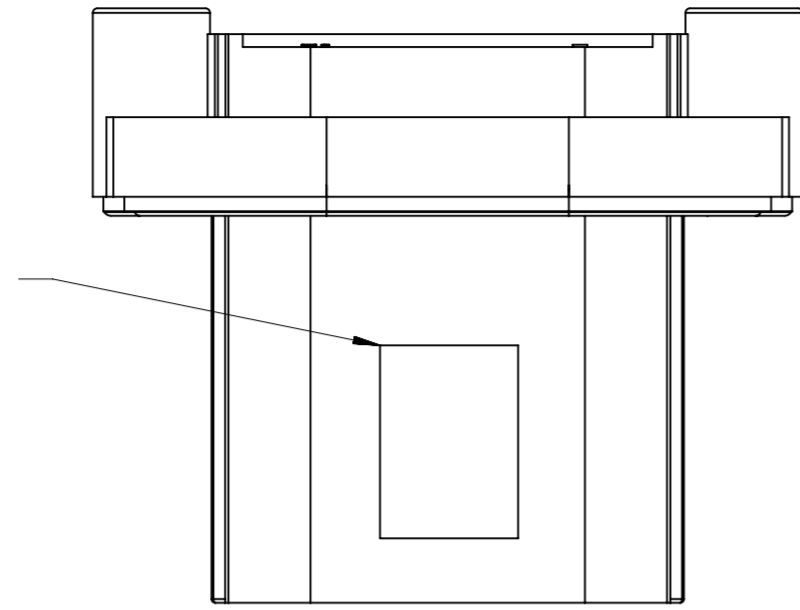


DIFFERENCES CYCLING CODE

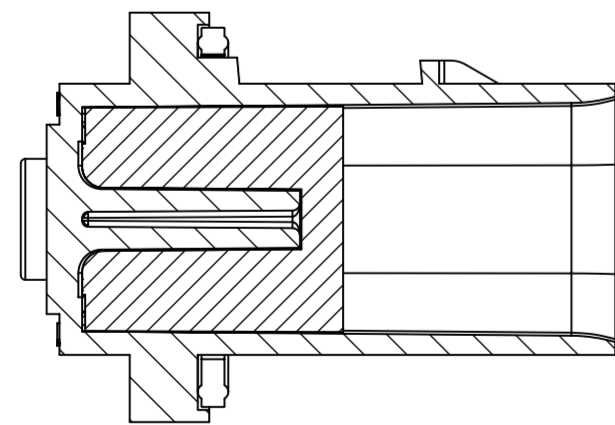
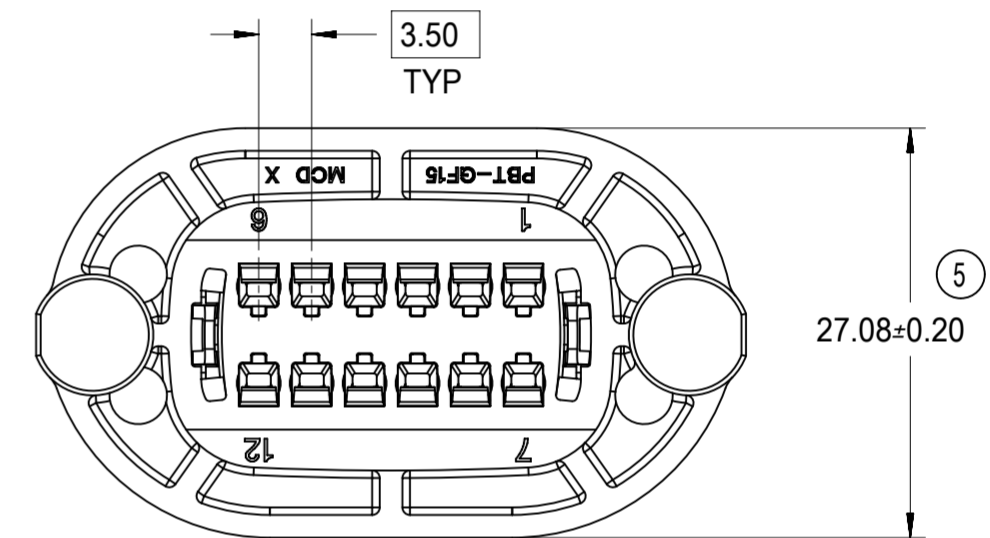
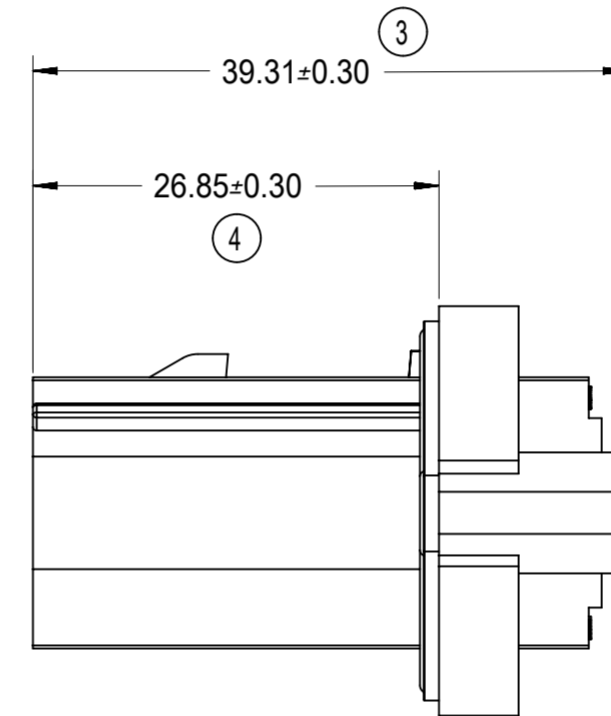
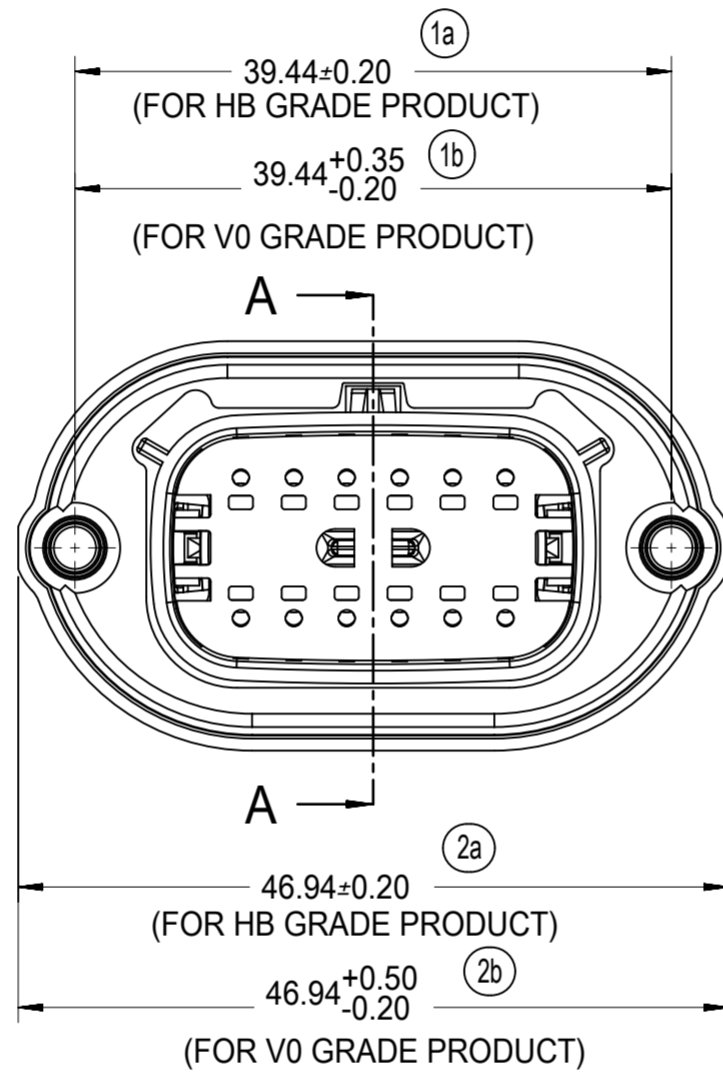
UL V0 PART

SYMBOLS	THIS DRAWING CONTAINS INFORMATION THAT IS PROPRIETARY TO MOLEX ELECTRONIC TECHNOLOGIES, LLC AND SHOULD NOT BE USED WITHOUT WRITTEN PERMISSION									
	DIMENSION UNITS	SCALE	CURRENT REV DESC:							
mm	2:1	EC NO: 609127							MX150 2X6	
GENERAL TOLERANCES (UNLESS SPECIFIED)	DRWN: WKHE 2018/11/20							PANEL MOUNT CONNECTOR		
ANGULAR TOL ± °	CHK'D: JDENG02 2018/12/17							PRODUCT CUSTOMER DRAWING		
4 PLACES ±	APPR: JDENG02 2018/12/17							DOCUMENT NUMBER		
3 PLACES ±	INITIAL REVISION:							SD-47725-601		
2 PLACES ±	DRWN: CDZHANG 2015/11/20							DOC TYPE		
1 PLACE ±	APPR: CBQIU 2015/12/21							PSD		
0 PLACES ±	DRAFT WHERE APPLICABLE MUST REMAIN WITHIN DIMENSIONS							DOC PART		
THIRD ANGLE PROJECTION	DRAWING	SERIES	MATERIAL NUMBER	CUSTOMER	REVISION		001		C1	
A2-SIZE	47725	ON SHEET 2	GENERAL MARKET	3 OF 4						

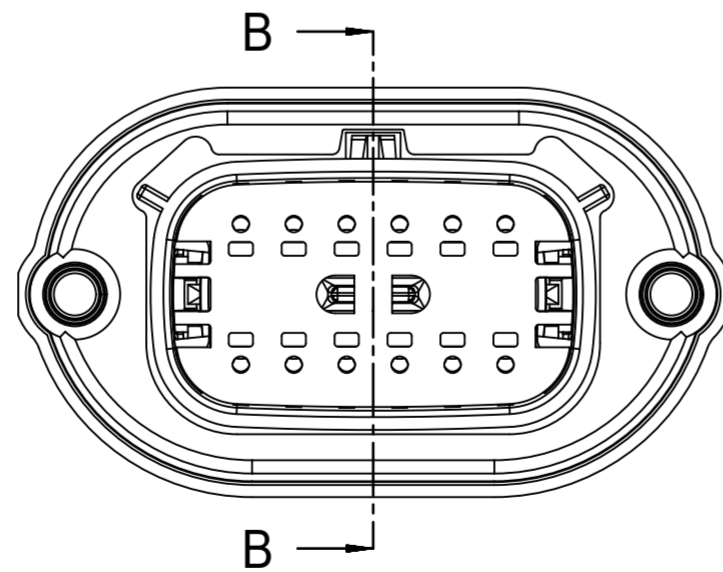
TRACEABILITY INFORMATION  
LOCATION IN THIS AREA



**SECTION A-A**  
(TPA SHOWN IN PRE-LOCK POSITION  
FOR REFERENCE ONLY)



(TPA SHOWN IN FULL-LOCK POSITION  
FOR REFERENCE ONLY)



<b>SYMBOLS</b> □ = 0 ▽ = 0 ▽ = 0 ▽ = 0 ▽ = 0 ▽ = 0 ▽ = 0 ▽ = 0 ▽ = 0 ▽ = 0 ▽ = 0	THIS DRAWING CONTAINS INFORMATION THAT IS PROPRIETARY TO MOLEX ELECTRONIC TECHNOLOGIES, LLC AND SHOULD NOT BE USED WITHOUT WRITTEN PERMISSION		<b>molex</b>  MX150 2X6 PANEL MOUNT CONNECTOR						
	DIMENSION UNITS	SCALE					CURRENT REV DESC:		
	mm	2:1	EC NO: 609127			DOCUMENT NUMBER	DOC TYPE	DOC PART	REVISION
	GENERAL TOLERANCES (UNLESS SPECIFIED)		DRWN: WKHE 2018/11/20			SD-47725-601	PSD	001	C1
	ANGULAR TOL ± °		CHK'D: JDENG02 2018/12/17						
	4 PLACES ±		APPR: JDENG02 2018/12/17			PRODUCT CUSTOMER DRAWING			
	3 PLACES ±		INITIAL REVISION:			MATERIAL NUMBER			
	2 PLACES ±		DRWN: CDZHANG 2015/11/20			CUSTOMER			
	1 PLACE ±		APPR: CBQIU 2015/12/21			SHEET NUMBER			
	0 PLACES ±		DRAFT WHERE APPLICABLE MUST REMAIN WITHIN DIMENSIONS			ON SHEET 2			
THIRD ANGLE PROJECTION		DRAWING		SERIES		GENERAL MARKET			
A2-SIZE		47725		ON SHEET 2			4 OF 4		