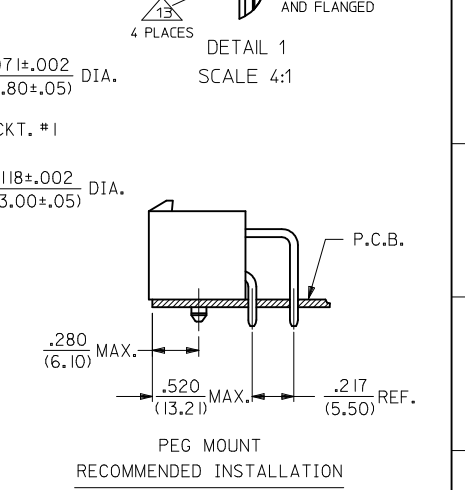
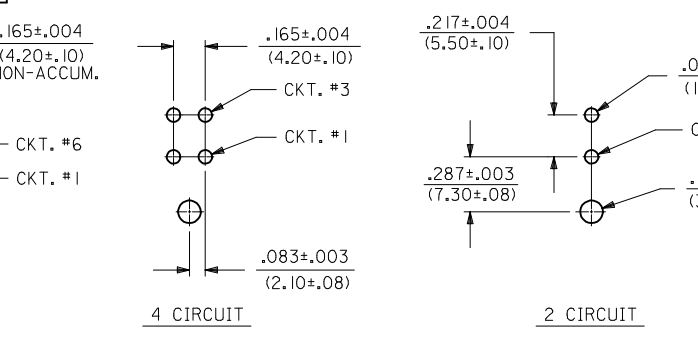
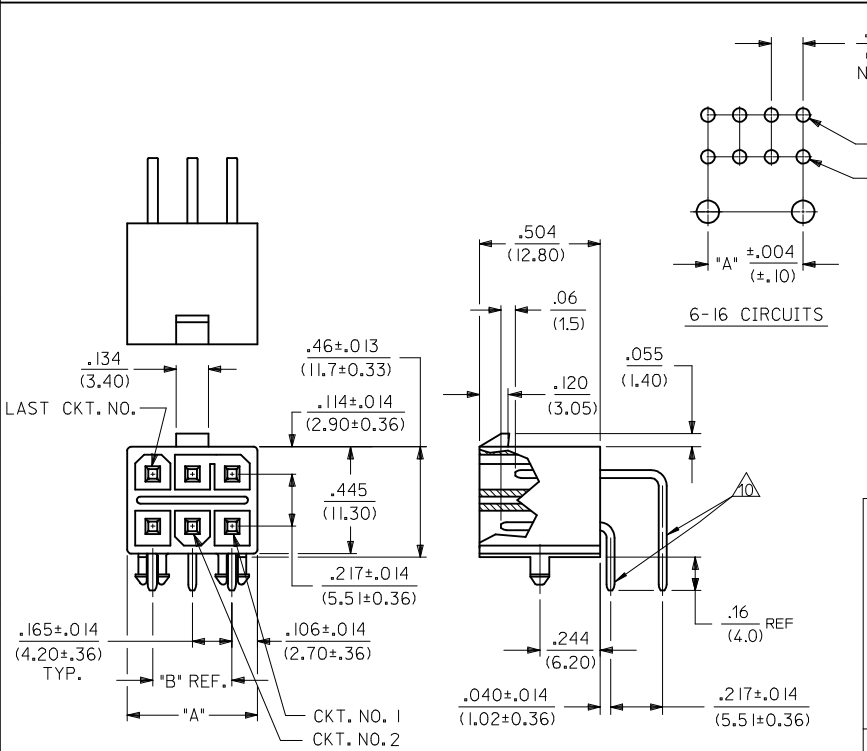
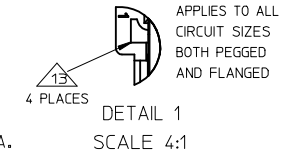
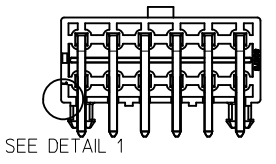


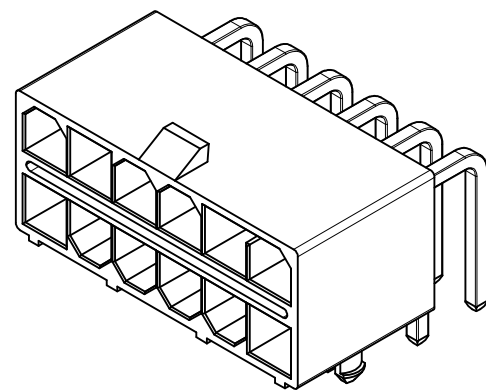
CKT. SIZE	DIM. "A"	DIM. "B"	DIM. "C"	DIM. "D"
2	.213 (5.40)	—	.606 (15.40)	.354 (9.00)
4	.378 (9.60)	.165 (4.20)	.772 (19.60)	.520 (13.20)
6	.543 (13.80)	.331 (8.40)	.937 (23.80)	.685 (17.40)
8	.709 (18.00)	.496 (12.60)	1.102 (28.00)	.850 (21.60)
10	.874 (22.20)	.661 (16.80)	1.268 (32.20)	1.016 (25.80)
12	1.039 (26.40)	.827 (21.00)	1.433 (36.40)	1.181 (30.00)
14	1.205 (30.60)	.992 (25.20)	1.598 (40.60)	1.346 (34.20)
16	1.370 (34.80)	1.157 (29.40)	1.764 (44.80)	1.512 (38.40)



RECOMMENDED HOLE LAYOUT FOR .070/(1.78) MAX. THICK P.C. BOARD

CORRECT PCB TAIL LENGTH EC NO: UCP2018-0339 DRAWINGS: 2017/09/04 CHKD: APPR:FSMITH REV: E8	QUALITY SYMBOLS ▽=0 ▽=0 ▽=0	GENERAL TOLERANCES (UNLESS SPECIFIED)		DIMENSION STYLE IN/MM		SCALE 2:1	DESIGN UNITS METRIC	THIRD ANGLE PROJECTION	
		mm	INCH	DRAWN BY GEP	DATE 1994/08/01	TITLE RIGHT ANGLE HEADER ASSY SELECTIVELY LOADED MINI-FIT T.P.A. SERIES	DOCUMENT NO. SDA-44483-****		SHEET NO. 1 OF 2
DRAFT WHERE APPLICABLE MUST REMAIN WITHIN DIMENSIONS		ANGULAR ±1/2°		MATERIAL NO. SEE CHART		THIS DRAWING CONTAINS INFORMATION THAT IS PROPRIETARY TO MOLEX INCORPORATED AND SHOULD NOT BE USED WITHOUT WRITTEN PERMISSION			

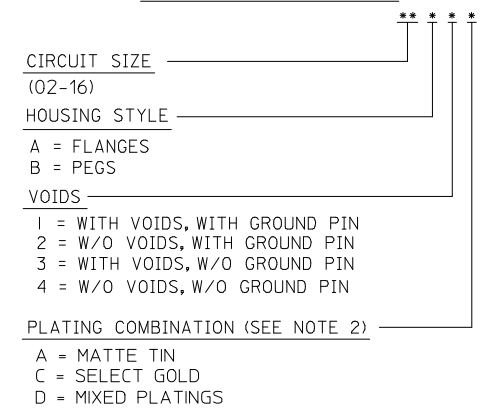
ITEM NO.	CHARACTERISTIC DESCRIPTION	CKT. SIZE	TERMINAL VERSION REQUIRED AT EACH CIRCUIT LOCATION: (SEE CODES BELOW)																PACKAGING TYPE	
			1	2	3	4	5	6	7	8	9	10	11	12	13	14	15	16		
J	44483-0001	I2A1C	I2	5	5	5	6	5	5	5	5	5	-	5	5	-	-	-	-	BULK
	44483-0002	I2A2C	I2	5	5	5	6	5	5	5	5	5	5	5	5	-	-	-	-	BULK
	44483-0003	I2A1C	I2	5	5	5	6	5	5	5	5	5	5	5	-	-	-	-	TRAY	
O	44483-0004	O4A2C	O4	5	5	6	5	-	-	-	-	-	-	-	-	-	-	-	BULK	
I	44483-0005	O4A2A	O4	7	7	8	7	-	-	-	-	-	-	-	-	-	-	-	BULK	
	44483-0006	I2A1C	I2	5	5	5	6	-	5	5	5	5	5	5	5	-	-	-	BULK	
	44483-0007	I6A2A	I6	7	7	8	7	7	8	8	7	8	7	8	7	8	7	8	BULK	
	44483-0008	I2A1C	I2	5	-	6	6	-	5	-	5	5	5	5	-	-	-	-	BULK	
H	44483-0009	O6A2C	O6	5	5	6	5	5	5	-	-	-	-	-	-	-	-	-	BULK	
	44483-0010	O6A1C	O6	5	-	6	5	-	5	-	-	-	-	-	-	-	-	-	BULK	
	44483-0011	I2A3A	I2	7	7	7	7	7	7	7	7	-	7	7	-	-	-	-	BULK	
	44483-0012	I2A1C	I2	5	5	5	6	5	5	5	5	5	-	5	5	-	-	-	BULK	
G	44483-0013	I2A1C	I2	5	5	5	6	-	5	5	5	5	-	5	-	-	-	-	TRAY	
	44483-0014	I2A4D	I2	7	7	7	7	7	7	5	7	7	7	7	7	-	-	-	TRAY	
	44483-0015	I2B3A	I2	-	7	7	7	7	-	-	7	7	-	7	7	-	-	-	TRAY	
	44483-0016	I2A2C	I2	6	6	5	5	6	6	6	6	5	5	6	6	-	-	-	TRAY	
F	44483-0017	O4A1C	O4	-	5	6	5	-	-	-	-	-	-	-	-	-	-	-	TRAY	
	44483-0018	O4A1C	O4	5	-	6	5	-	-	-	-	-	-	-	-	-	-	-	TRAY	
	44483-0019	O4A1C	O4	5	5	6	-	-	-	-	-	-	-	-	-	-	-	-	TRAY	
	44483-0020	O8A1C	O8	6	V	5	5	V	5	V	5	-	-	-	-	-	-	-	TRAY	



O = OBSOLETE V = VOID

NOTES:
 1. MATERIAL:
 HOUSING: POLYESTER, UNFILLED, UL94 V-0, COLOR: BLACK
 TERMINAL: BRASS
 2. FINISH (TERMINAL):
 SELECT GOLD = .000030/(.00076) MIN. GOLD OVER .000100/(.00254) MIN. SELECT MATTE TIN OVER .000050/(.00127) MIN. NICKEL OVERALL
 MATTE TIN = .000100/(.00254) MIN MATTE TIN OVER .000050/(.00127) MIN NICKEL OVERALL
 3. PRODUCT SPECIFICATION: PS-5556-003
 4. PACKAGING: SEE CHART
 TRAY PACKED PER: PK-44483-001
 BULK PACKED PER: PK-30070-001
 5. PART MATES WITH MINI-FIT T.P.A. RECEPTACLE 30067-*.
 FLANGE MOUNT PART IS DESIGNED FOR USE WITH #4 OR M3 SELF TAPPING SCREWS.
 7. SEE CHART ABOVE FOR STANDARD PIN, GROUND PIN AND VOID LOCATIONS.
 8. PARTS ARE NOT TO BE MATED OR UNMATED WHILE CIRCUITS ARE LIVE.
 9. PART IS NOT DESIGNED FOR CURRENT SHARING.
 10. FORMING MARKS ARE ACCEPTABLE.
 11. PART CONFORMS TO CLASS "B" REQUIREMENTS OF COSMETIC SPECIFICATION PS-45499-002.
 12. DISCOLORATION IN THE BANDOLIER CARRIER AREA OF THE PIN IS INHERENT TO THE PLATING PROCESS AND IS DUE TO THE MASKING EFFECT OF THE CARRIER. THIS DISCOLORATION IS IN A NON-FUNCTIONAL AREA OF THE PIN AND WILL NOT AFFECT THE PERFORMANCE OF THE HEADER ASSEMBLY.
 13. CORNER CORE-OUTS ARE OPTIONAL AND MAY OR MAY NOT BE PRESENT.
 14. TEXT ON PART IS FOR REFERENCE ONLY. TEXT AND TEXT LOCATION MAY VARY DEPENDING ON PART NUMBER AND/OR TOOL.

CHARACTERISTICS LEGEND:



PIN I.D. CODES FOR CHART ABOVE
PIN TYPE & PLATING (SEE NOTE 2)
*- = VOID LOC.
*5 = STANDARD PIN, SELECT GOLD
*6 = GROUNDING PIN, SELECT GOLD
*7 = STANDARD PIN, MATTE TIN
*8 = GROUNDING PIN, MATTE TIN

SEE SHEET 1 EC NO: UCP2018-0339 DRWINGS 2017/09/04 CHKD: 2017/09/12 APPR:FSMITH	DESCRIPTION QUALITY SYMBOLS ▽=0 ▽=0 ▽=0	GENERAL TOLERANCES (UNLESS SPECIFIED)	DIMENSION STYLE IN/MM	SCALE 2:1	DESIGN UNITS METRIC	THIRD ANGLE PROJECTION												
		<table border="1"> <tr><th>mm</th><th>INCH</th></tr> <tr><td>4 PLACES ±---</td><td>±---</td></tr> <tr><td>3 PLACES ±---</td><td>±.010</td></tr> <tr><td>2 PLACES ±0.25</td><td>±.016</td></tr> <tr><td>1 PLACE ±0.40</td><td>±---</td></tr> <tr><td>0 PLACE ±</td><td>±</td></tr> </table>	mm	INCH	4 PLACES ±---	±---	3 PLACES ±---	±.010	2 PLACES ±0.25	±.016	1 PLACE ±0.40	±---	0 PLACE ±	±	DRAWN BY: GEP DATE: 1994/08/01 CHECKED BY: DATE: R/JF DATE: 1994/08/01 APPROVED BY: DATE: F/SMITH DATE: 2011/09/12	TITLE: RIGHT ANGLE HEADER ASSY SELECTIVELY LOADED MINI-FIT T.P.A. SERIES 		SHEET NO. 2 OF 2
		mm	INCH															
		4 PLACES ±---	±---															
3 PLACES ±---	±.010																	
2 PLACES ±0.25	±.016																	
1 PLACE ±0.40	±---																	
0 PLACE ±	±																	
ANGULAR ±1/2°	MATERIAL NO. SEE CHART	DOCUMENT NO. SDA-44483-****																
DRAFT WHERE APPLICABLE MUST REMAIN WITHIN DIMENSIONS		THIS DRAWING CONTAINS INFORMATION THAT IS PROPRIETARY TO MOLEX INCORPORATED AND SHOULD NOT BE USED WITHOUT WRITTEN PERMISSION																