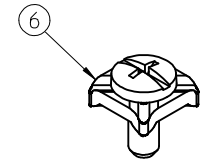
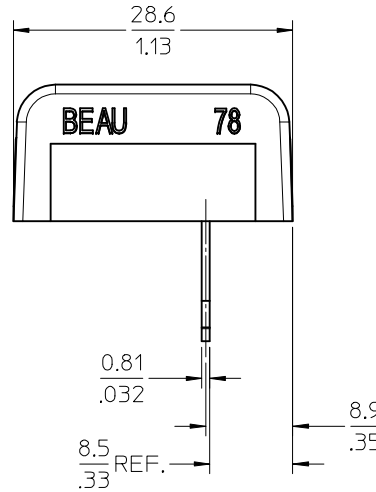
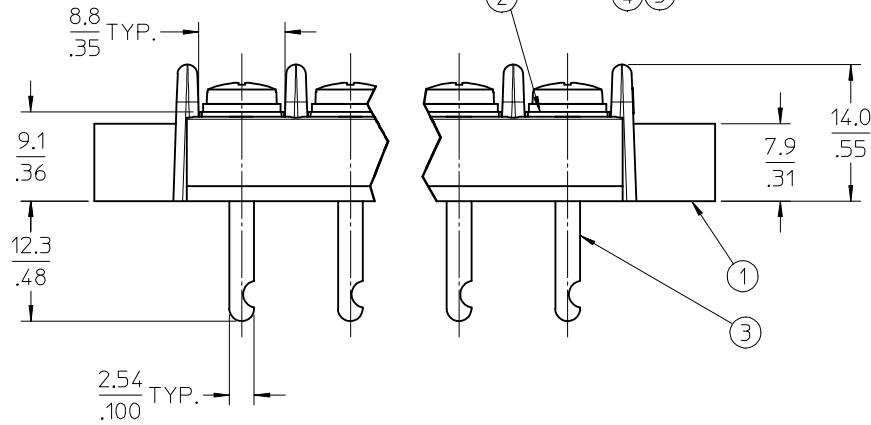


4 CIRCUIT SHOWN



REF. -50 OPT. SCREW
(WHERE APPLICABLE)

- NOTES:
1. MATERIAL: SEE TABLE
 2. FINISHES: SEE TABLE
 3. PRODUCT SPECIFICATION: NOT REQUIRED
 4. PACKAGING: NOT REQUIRED
 5. MATES WITH: N/A
 6. *XX*REFERS TO THE QUANTITY OF CIRCUITS.

6	XX	SCREW&WASHER, #6-32X.250 BHD, PH-SL (-50 OPT)	STEEL	ZN, CLEAR CHROMATE
5	XX	SCREW, #6-32X.250 PAN, PH-SL (-49 OPT)	BRASS	NICKEL PLATE
4	XX	SCREW, #6-32X.250 BHD, PHIL-SLOT (STD.)	STEEL	ZN, CLEAR CHROMATE
3	XX	TERMINAL, SOLDER Y	BRASS	TIN PLATE
2	XX	TERMINAL, PLATE	BRASS	NICKEL PLATE
1	1	INSULATOR, CB BTS, AS MO.	PBT, 30% GF	BLACK
ITEM	QTY.	DESCRIPTION	MATERIAL	FINISH

RELEASED EC NO: ETC2006-0251 DRW:NYORK 2006/02/17 CHKD:RDEROSS 2006/02/21 APPR:RDEROSS 2006/02/21 REV A	QUALITY SYMBOLS ▽=0 ▽=0	GENERAL TOLERANCES (UNLESS SPECIFIED) mm INCH 4 PLACES ± --- ± .0002 3 PLACES ± 0.005 ± .005 2 PLACES ± 0.13 ± .01 1 PLACE ± 0.25 ± --- ANGULAR ± 1/2°	DIMENSION STYLE MM/IN DRAWN BY DATE C. YORK 2006/02/14 CHECKED BY DATE R. DEROSS 2006/02/14 APPROVED BY DATE R. DEROSS 2006/02/14 MATERIAL NO.	SCALE 2:1 DESIGN UNITS INCH THIRD ANGLE PROJECTION	TITLE 11.11 [.438"] DR BTS ASSY, CB
	DRAFT WHERE APPLICABLE MUST REMAIN WITHIN DIMENSIONS	SEE SHEET 2	MOLEX INCORPORATED DOCUMENT NO. SD-38780-002 SHEET NO. 1 OF 2		

NO. OF CIRC. "XX"	DIM. "A"		DIM. "B"		DIM. "C"		MATERIAL NO. (STD)	MATERIAL NO. (-49 OPT)	MATERIAL NO. (-50 OPT)
02	41.3	[1.62]	11.11	[.438]	33.34	[1.313]	38780-1102	38780-1202	38780-2602
03	52.4	[2.06]	22.23	[.875]	44.45	[1.750]	38780-1103	38780-1203	38780-2603
04	63.5	[2.50]	33.34	[1.313]	55.56	[2.188]	38780-1104	38780-1204	38780-2604
05	74.6	[2.94]	44.45	[1.750]	66.68	[2.625]	38780-1105	38780-1205	38780-2605
06	85.7	[3.37]	55.56	[2.188]	77.79	[3.063]	38780-1106	38780-1206	38780-2606
07	96.8	[3.81]	66.68	[2.625]	88.90	[3.500]	38780-1107	38780-1207	38780-2607
08	107.9	[4.25]	77.79	[3.063]	100.01	[3.938]	38780-1108	38780-1208	38780-2608
09	119.0	[4.69]	88.90	[3.500]	111.13	[4.375]	38780-1109	38780-1209	38780-2609
10	130.2	[5.12]	100.01	[3.938]	122.24	[4.813]	38780-1110	38780-1210	38780-2610
11	141.3	[5.56]	111.13	[4.375]	133.35	[5.250]	38780-1111	38780-1211	38780-2611
12	152.4	[6.00]	122.24	[4.813]	144.46	[5.688]	38780-1112	38780-1212	38780-2612
13	163.5	[6.44]	133.35	[5.250]	155.58	[6.125]	38780-1113	38780-1213	38780-2613
14	174.6	[6.87]	144.46	[5.688]	166.69	[6.563]	38780-1114	38780-1214	38780-2614
15	185.7	[7.31]	155.58	[6.125]	177.80	[7.000]	38780-1115	38780-1215	38780-2615
16	196.8	[7.75]	166.69	[6.563]	188.91	[7.438]	38780-1116	38780-1216	38780-2616
17	207.9	[8.19]	177.80	[7.000]	200.03	[7.875]	38780-1117	38780-1217	38780-2617
18	219.1	[8.62]	188.91	[7.438]	211.14	[8.313]	38780-1118	38780-1218	38780-2618
19	230.2	[9.06]	200.03	[7.875]	222.25	[8.750]	38780-1119	38780-1219	38780-2619
20	241.3	[9.50]	211.14	[8.313]	233.36	[9.188]	38780-1120	38780-1220	38780-2620
21	252.4	[9.94]	222.25	[8.750]	244.48	[9.625]	38780-1121	38780-1221	38780-2621
22	263.5	[10.37]	233.36	[9.188]	255.59	[10.063]	38780-1122	38780-1222	38780-2622
23	274.6	[10.81]	244.48	[9.625]	266.70	[10.500]	38780-1123	38780-1223	38780-2623
24	285.7	[11.25]	255.59	[10.063]	277.81	[10.938]	38780-1124	38780-1224	38780-2624
25	296.8	[11.69]	266.70	[10.500]	288.93	[11.375]	38780-1125	38780-1225	38780-2625
26	308.0	[12.12]	277.81	[10.938]	300.04	[11.813]	38780-1126	38780-1226	38780-2626
27	319.1	[12.56]	288.93	[11.375]	311.15	[12.250]	38780-1127	38780-1227	38780-2627
28	330.2	[13.00]	300.04	[11.813]	322.26	[12.688]	38780-1128	38780-1228	38780-2628
29	341.3	[13.44]	311.15	[12.250]	333.38	[13.125]	38780-1129	38780-1229	38780-2629
30	352.4	[13.87]	322.26	[12.688]	344.49	[13.563]	38780-1130	38780-1230	38780-2630

SEE SHEET 1 EC NO: ETC2006-0251 DRAWN BY: C. YORK CHKD: RDEROSS APPR: RDEROSS	2006/02/17 2006/02/21 2006/02/21	DESCRIPTION REV	QUALITY SYMBOLS	GENERAL TOLERANCES (UNLESS SPECIFIED)	DIMENSION STYLE	SCALE	DESIGN UNITS	THIRD ANGLE PROJECTION
			$\nabla=0$ $\nabla=0$	mm INCH	MM/IN	2:1	INCH	11.11 [.438"] DR BTS ASSY, CB
			4 PLACES \pm --- \pm .0002 3 PLACES \pm 0.005 \pm .005 2 PLACES \pm 0.13 \pm .01 1 PLACE \pm 0.25 \pm ---	DRAWN BY DATE C. YORK 2006/02/14	CHECKED BY DATE R. DEROSS 2006/02/14	APPROVED BY DATE R. DEROSS 2006/02/14	TITLE	
			ANGULAR \pm 1/2°	DRAFT WHERE APPLICABLE MUST REMAIN WITHIN DIMENSIONS		SEE CHART	MATERIAL NO.	DOCUMENT NO.
			MOLEX INCORPORATED		SD-38780-002	2 OF 2	THIS DRAWING CONTAINS INFORMATION THAT IS PROPRIETARY TO MOLEX INCORPORATED AND SHOULD NOT BE USED WITHOUT WRITTEN PERMISSION	