



Mallory Sonalert Products, Inc.

Part #:

SC110FKR

Sales Outline Drawing

Revision:

D

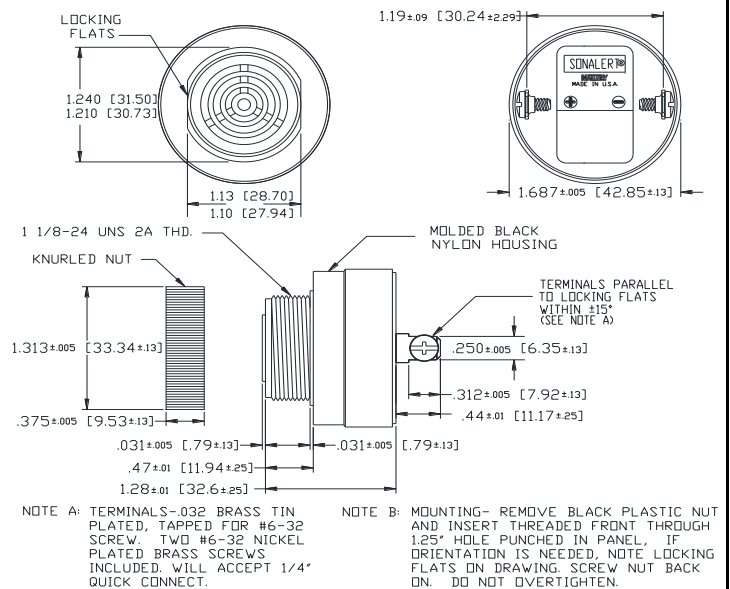
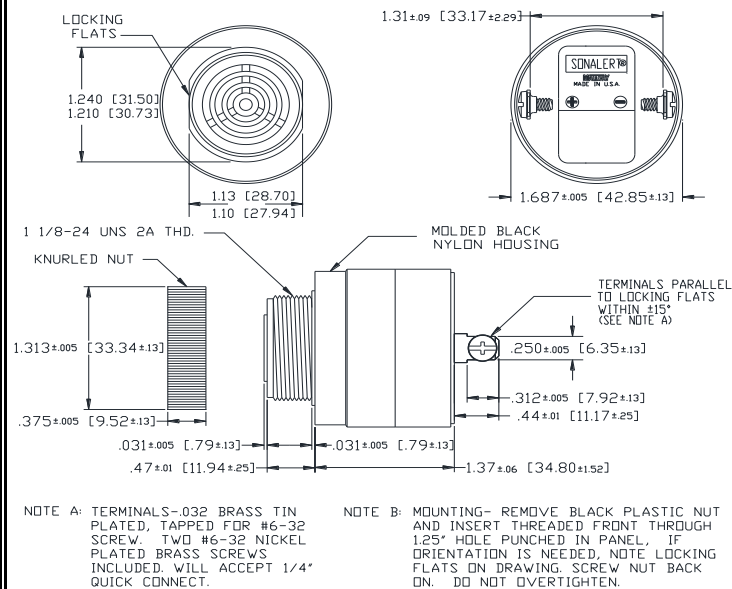
Specifications:

Sound Level Category	Soft
Mode of Operation	Short Pulse @ 0.5 - 1.2 PPS 10% Duty Cycle
Voltage Rating	30 to 120 VAC/DC
Frequency	2900 ± 500 Hz
Loudness @ 2 FT	60 to 69 dB(A) Typ.
Loudness @ Min V	55/65 dB(A) @ 2 Feet and 30 Vac/dc
Loudness @ Max V	65/78 dB(A) @ 2 Feet and 120 Vac/dc
Current Draw	4-13mA
Duty Cycle (%)	50
Housing Material	6/6 Nylon, Color: Black
Storage Temperature	-40° to +85° C
Operating Temperature	-30° to +65° C
Panel Mounting	Recommended hole size is 1.25"(31.75mm). Thread front will fit standard 30mm(1.181") hole.
Knurled Nut	Used to attach part to panel. The max recommended torque is 10 in-lbs.
Weight (Typical)	1.6 oz (45g)
NEMA 3R,4X, & 12	Approved with use of ACC03.
Options	Please contact factory.

Dimensions: Inches (mm)

PART DIMENSIONS BEFORE CODE DATE: 1452 5

PART DIMENSIONS AFTER CODE DATE: 1501 1



ROHS Compliant