

# Customer Information Sheet

DRAWING No.: M22-654XX42R

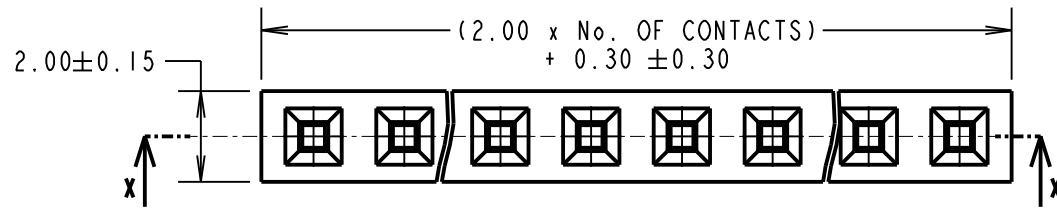
IF IN DOUBT - ASK



NOT TO SCALE

THIRD ANGLE PROJECTION

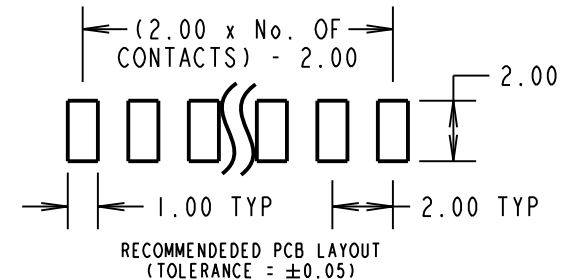
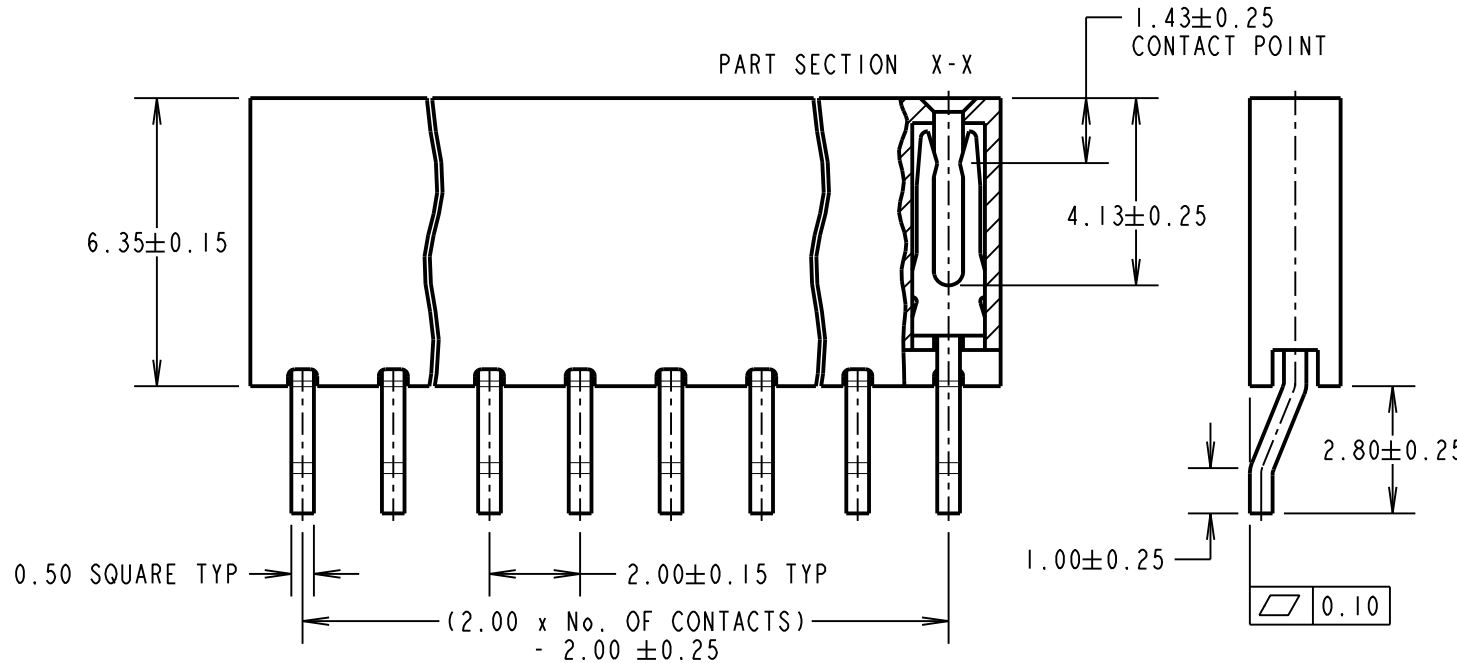
ALL DIMENSIONS IN mm



**COMPONENT SPECIFICATIONS:**

**MATERIAL:**  
 HOUSING = GLASS FILLED LCP, UL94V-0  
 CONTACTS = PHOSPHOR BRONZE  
**FINISH:**  
 0.76-2.03µm NICKEL ALL OVER,  
 0.015µm MIN GOLD ON CONTACT,  
 2.03-5.08µm TIN ON TAILS.  
 FOR COMPLETE SPECIFICATION, SEE COMPONENT SPECIFICATION C018XX (LATEST ISSUE)

**PART SECTION X-X**



RECOMMENDED PCB LAYOUT  
 (TOLERANCE = ±0.05)

**NOTES:**  
 1. FOR TAPE AND REEL DETAILS, SEE SHEET 4.

**ORDER CODE:**  
**M22-654XX42R**  
 No. OF CONTACTS PER ROW: \_\_\_\_\_  
 02-06, 08, 10

MGP	3	06.01.21	31219
NAME	ISS.	DATE	CN/CO
APPROVED:		MGP	
CHECKED:		RA	
DRAWN:		M.PERREN	
CUSTOMER REF.:			
ASSEMBLY DRG:			



www.harwin.com  
 technical@harwin.com

THIS DRAWING AND ANY INFORMATION OR DESCRIPTIVE MATTER SET OUT HEREON ARE CONFIDENTIAL AND COPYRIGHT PROPERTY OF THE HARWIN GROUP AND MUST NOT BE DISCLOSED, LOANED, COPIED OR USED FOR MANUFACTURING, TENDERING OR FOR ANY OTHER PURPOSE WITHOUT THEIR WRITTEN PERMISSION.

**TOLERANCES**  
 X. = ±1mm  
 X.X = ±0.50mm  
 X.XX = ±0.20mm  
 X.XXX = ±0.01mm  
 ANGLES = ±5°  
 UNLESS STATED

**MATERIAL:**  
 SEE ABOVE  
**FINISH:** SEE ABOVE  
**S/AREA:** mm<sup>2</sup>

**TITLE:**  
 2.00mm PITCH SIL HORIZONTAL SOCKET, SMT TAPE & REEL  
**DRAWING NUMBER:**  
**M22-654XX42R**  
 SHT 3 OF 4

# Customer Information Sheet

DRAWING No.: M22-654XX42R

IF IN DOUBT - ASK

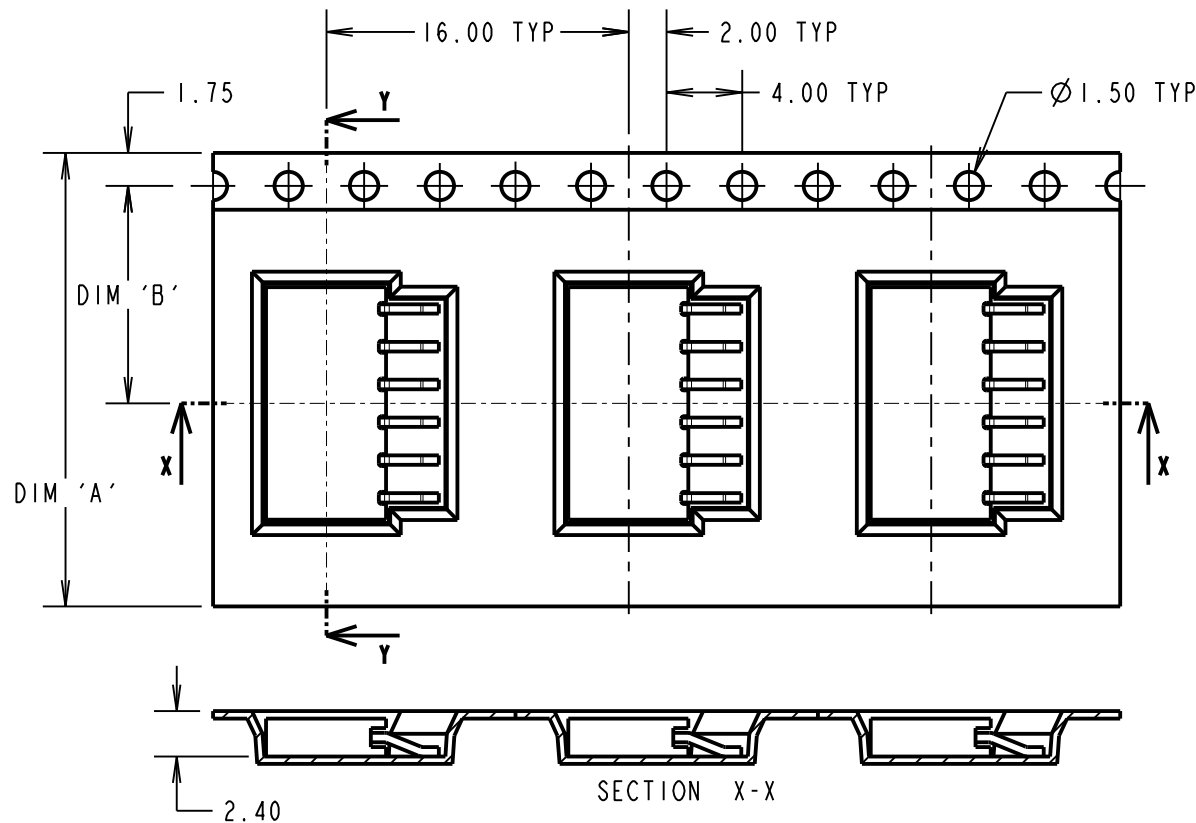
©

NOT TO SCALE

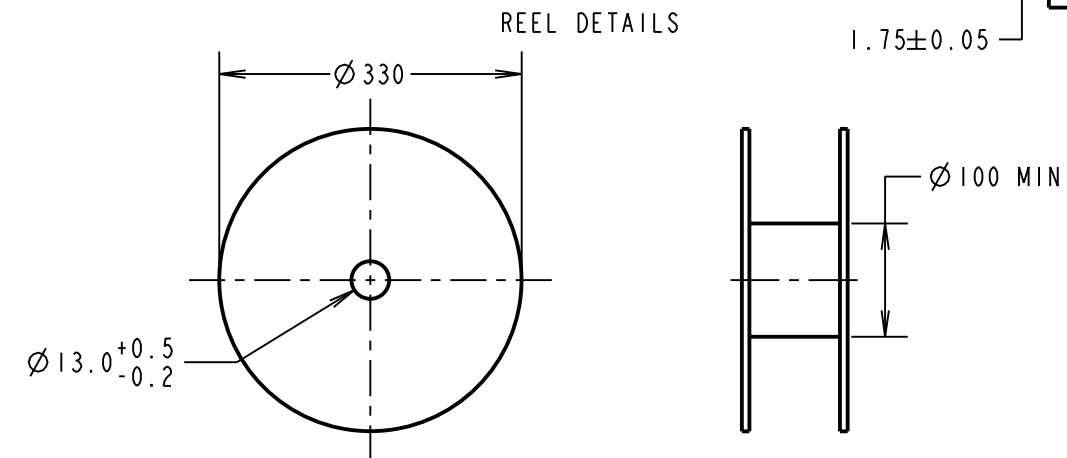
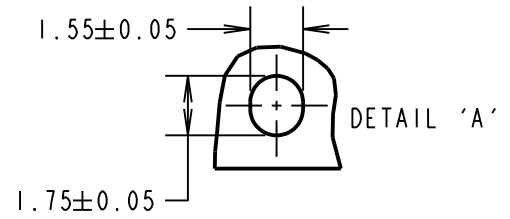
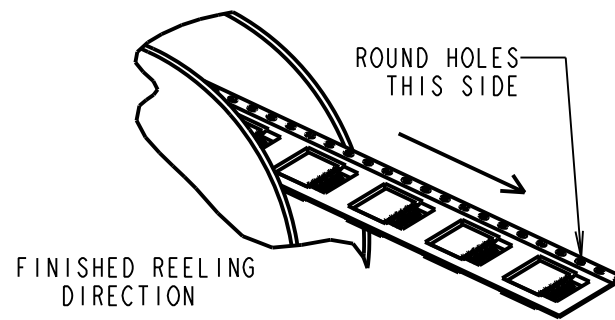
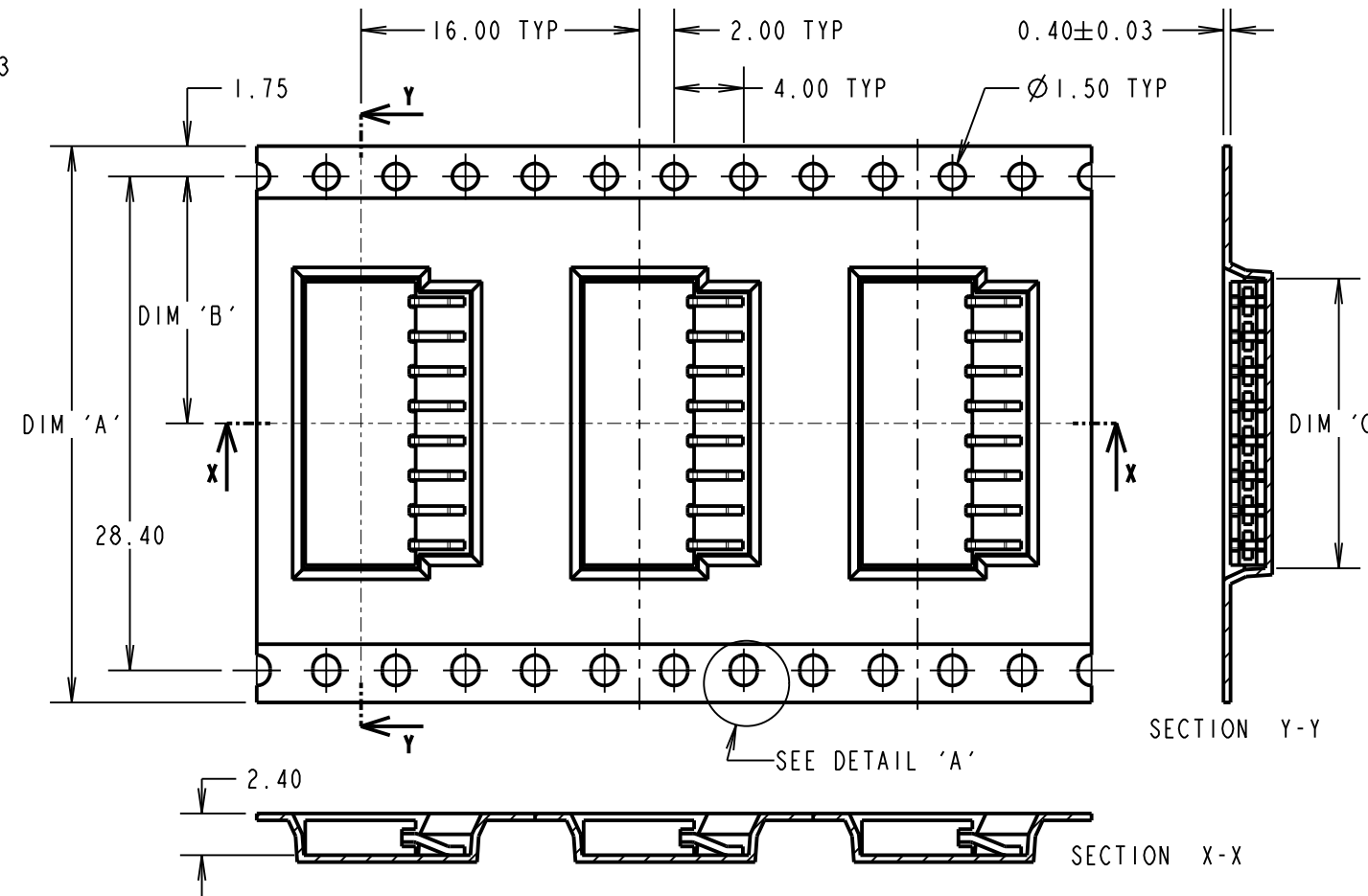
THIRD ANGLE PROJECTION

ALL DIMENSIONS IN mm

TAPE DETAILS FOR  
02, 03, 04, 05 & 06 WAY



TAPE DETAILS FOR  
08 & 10 WAY



ORDER CODE:  
**M22-654XX42R**

No. OF CONTACTS PER ROW: \_\_\_\_\_  
02-06, 08, 10

- NOTES:  
1. PRODUCT IS TAPE AND REELED IN GENERAL ACCORDANCE WITH EIA-481 (ELECTRONIC INDUSTRIES ASSOCIATION).  
2. FOR CONNECTOR DETAILS AND SPECIFICATIONS, SEE SHEET 3.

PART No.	DIMENSION			REEL QUANTITY
	DIM 'A'	DIM 'B'	DIM 'C'	
M22-6540242R	16.00±0.30	7.50±0.15	4.65	1300
M22-6540342R	24.00	11.50	6.65	
M22-6540442R			8.65	
M22-6540542R			10.65	
M22-6540642R			12.65	
M22-6540842R			16.65	
M22-6541042R	32.00	14.20	20.65	

**HARWIN**

www.harwin.com  
technical@harwin.com

THIS DRAWING AND ANY INFORMATION OR DESCRIPTIVE MATTER SET OUT HEREON ARE CONFIDENTIAL AND COPYRIGHT PROPERTY OF THE HARWIN GROUP AND MUST NOT BE DISCLOSED, LOANED, COPIED OR USED FOR MANUFACTURING, TENDERING OR FOR ANY OTHER PURPOSE WITHOUT THEIR WRITTEN PERMISSION.

TOLERANCES  
X. = ±1mm  
X.X = ±0.50mm  
X.XX = ±0.20mm  
X.XXX = ±0.01mm  
ANGLES = ±5°  
UNLESS STATED

MATERIAL:  
SEE SHEET 3  
FINISH: SEE SHEET 3  
S/AREA: mm<sup>2</sup>

TITLE:  
2.00mm PITCH SIL HORIZONTAL SOCKET, SMT TAPE & REEL

DRAWING NUMBER:  
**M22-654XX42R**

MGP	3	06.01.21	31219
NAME	ISS.	DATE	CN/CO
APPROVED: MGP			
CHECKED: RA			
DRAWN: M.PERREN			
CUSTOMER REF.:			
ASSEMBLY DRG:			