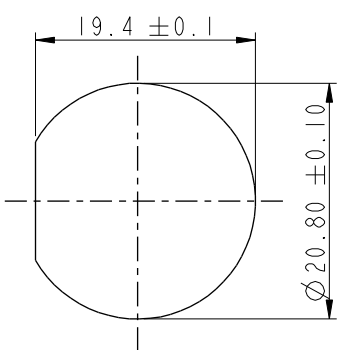
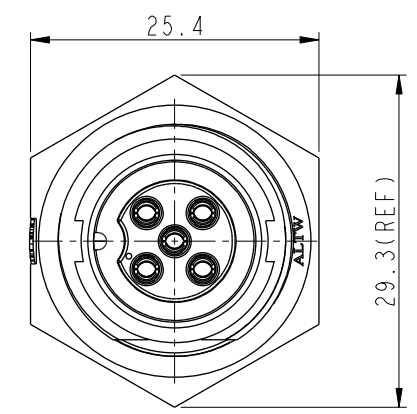
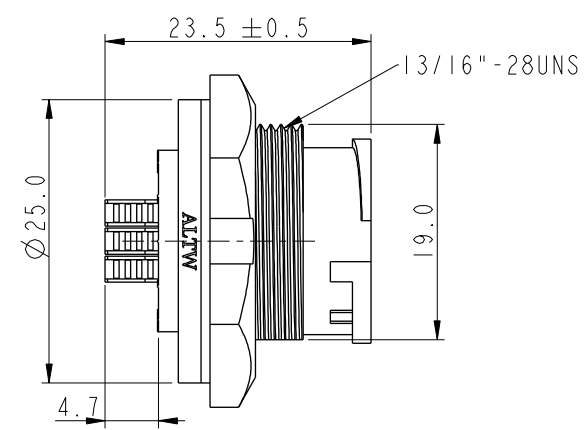
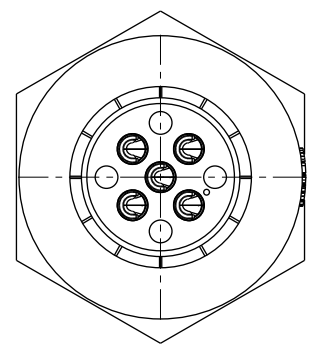


THIS DOCUMENT IS SUBJECT TO CHANGE WITHOUT NOTICE. IT IS CONFIDENTIAL AND A PROPERTY OF AMPHENOL LTW. DISCLOSURE TO THIRD PARTY HAS TO BE AUTHORIZED BY AMPHENOL LTW.

REV.	ECN NO.	DATE	SIGN	DESCRIPTION
B	LE31570272	2015/07/14	Jinhai	Change To Standard
C	CI90348	2019/03/06	Vicky	Change Note

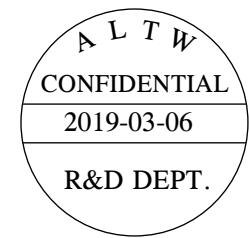
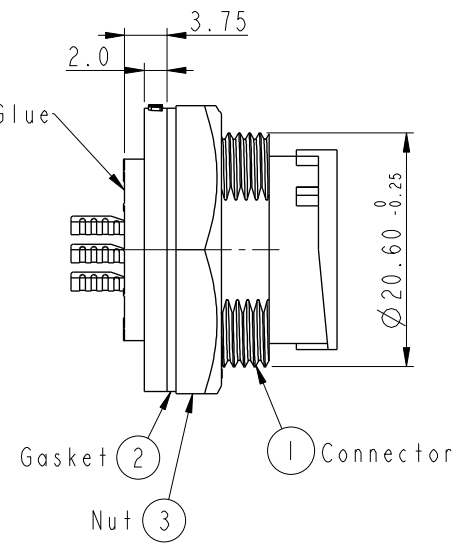


Recommended Panel Cut-Out

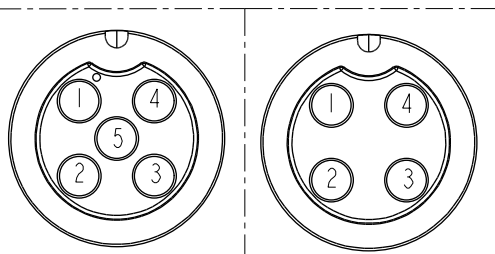


ACB-XXPMFS-LC7001
 04:5Pin
 :
 05:5Pin

With Liquid Glue



- △ Note:
- * (QC) Important Dimension To Check.
 - * Waterproof Rate: IP67, Unmated.
 - * Housing: Thermoplastic, Black.
 - * Pin: Copper Alloy, Gold Plated.
 - * Nut: Thermoplastic, Black.
 - * Gasket: Rubber, Gray.
 - * Use with waterproof cap or dust cap
Maximum Panel Thickness: 2.8mm
 - * Use without waterproof cap or dust cap
Maximum Panel Thickness: 4.0mm
 - * Gasket and Nut are packed separately in PE bags. (Gasket/Nut不組裝·散裝出貨)



Pin Assignments Front View

UNIT: mm TOLERANCE .X ±0.25 .XX ±0.1 .XXX ±0.05 ANGLES ±1°	TITLE MIDDLE PANEL LOCK M CONN F PIN			Amphenol LTW 安費諾亮泰企業股份有限公司		ITEM NO ACB-XXPMFS-LC7001	DRAWN BY Vicky	DATE 2019-03-06
	SCALE 3:2	SIZE A4	SHEET 1 OF 1	CUSTOMER ALTW		CHECKED BY Rita	DATE 2019-03-06	
	REV. C	WC-REV. A.1	(QC): Inspection item	APPROVED BY Max		DATE 2019-03-06		