

SMA-A0204FTDX120K ✓ ACTIVE



Neohm | Neohm SMA-A

TE Internal #: 8-2176315-7

120K Ω , Thin Film, Precision Resistor, 1 %, 2 Termination, 0204,
Taped & Reeled, .4 W, ± 50 ppm/ $^{\circ}\text{C}$, Metal Electrode Leadless Face
(MELF), Neohm SMA-A

[View on TE.com >](#)

Passive Components > Resistors > Surface Mount Resistors



Resistor Type: **Precision Resistor**

Number of Terminations: **2**

Package Size Code: **0204**

Packaging Method: **Taped & Reeled**

Passive Component Tolerance: **1 %**

Features

Product Type Features

Product Type	Fixed Resistor
Resistor Type	Precision Resistor
Package Size Code	0204
Element Type	Thin Film

Configuration Features

Number of Resistors	1
---------------------	---

Electrical Characteristics

Voltage Rating	200 V
Passive Component Tolerance	1 %
Resistance Class	1k Ω – 1M Ω
Resistance Value	120K Ω
Power Rating	.4 W

Termination Features

Number of Terminations	2
------------------------	---



Surface Mount Resistor Termination Type	Metal Electrode Leadless Face (MELF)
---	--------------------------------------

Dimensions

Passive Component Dimensions	3.5 x 1.4 mm
------------------------------	--------------

Usage Conditions

Operating Temperature Range	-55 – 155 $^{\circ}\text{C}$
-----------------------------	------------------------------

Temperature Coefficient	± 50 ppm/ $^{\circ}\text{C}$
-------------------------	----------------------------------

Packaging Features

Packaging Method	Taped & Reeled
------------------	----------------

Product Compliance

[For compliance documentation, visit the product page on TE.com>](#)

EU RoHS Directive 2011/65/EU	Compliant
------------------------------	-----------

EU ELV Directive 2000/53/EC	Compliant
-----------------------------	-----------

China RoHS 2 Directive MIIT Order No 32, 2016	No Restricted Materials Above Threshold
---	---

EU REACH Regulation (EC) No. 1907/2006	Current ECHA Candidate List: JAN 2023 (233) Candidate List Declared Against: JUNE 2022 (224) Does not contain REACH SVHC
--	--

Halogen Content	BFR/CFR/PVC Free, but Br/Cl >900 ppm in other sources.
-----------------	--

Solder Process Capability	Reflow solder capable to 260 $^{\circ}\text{C}$
---------------------------	---

Product Compliance Disclaimer

This information is provided based on reasonable inquiry of our suppliers and represents our current actual knowledge based on the information they provided. This information is subject to change. The part numbers that TE has identified as EU RoHS compliant have a maximum concentration of 0.1% by weight in homogenous materials for lead, hexavalent chromium, mercury, PBB, PBDE, DBP, BBP, DEHP, DIBP, and 0.01% for cadmium, or qualify for an exemption to these limits as defined in the Annexes of Directive 2011/65/EU (RoHS2). Finished electrical and electronic equipment products will be CE marked as required by Directive 2011/65/EU. Components may not be CE marked. Additionally, the part numbers that TE has identified as EU ELV compliant have a maximum concentration of 0.1% by weight in homogenous materials for lead, hexavalent chromium, and mercury, and 0.01% for cadmium, or qualify for an exemption to these limits as defined in the Annexes of Directive 2000/53/EC (ELV). Regarding the REACH Regulation, the information TE provides on SVHC in articles for this part number is based on the latest European Chemicals Agency (ECHA) 'Guidance on requirements for substances in articles' posted at this URL: <https://echa.europa.eu/guidance-documents/guidance-on-reach>

Compatible Parts



TE Part # 6-2176314-9
MELF SMA-A 10R 1% 50PPM 0102 0.3 W



TE Part # 3-2176315-2
MELF SMA_A 39K 0.1% 15PPM 0204 0.4W



TE Part # 2176316-5
MELF SMA_A 220R 0.1% 15PPM 0207 1W



TE Part # 9-2176315-8
MELF SMA-A 1M0 1% 50PPM 0204 0.4 W



TE Part # 9-2176316-4
MELF SMA-A 330K 1% 50PPM 0207 1W

Also in the Series | Neohm SMA-A



Surface Mount Resistors(384)

Customers Also Bought



TE Part #1825910-6
FSM4JH=6MM TACT SWITCH, HIGH TEMP



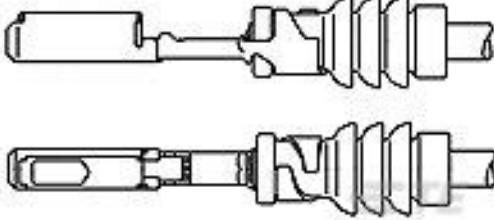
TE Part #3-1879354-7
RR03 5% 10R AMMO



TE Part #2-2176316-6
MELF SMA_A 12K 0.1% 15PPM 0207 1W



TE Part #2-2176316-9
MELF SMA_A 22K 0.1% 15PPM 0207 1W



TE Part #1703032-5
MOS0,63 Au rec CB EDS 0,5-0,75



TE Part #1340273001
99M0111-14-9



Documents

Product Drawings

[MELF SMA-A 120K 1% 50PPM 0204 0.4W](#)

English

CAD Files

[3D PDF](#)

3D

Customer View Model

[ENG_CVM_CVM_8-2176315-7_BA.2d_dxf.zip](#)

English

Customer View Model

[ENG_CVM_CVM_8-2176315-7_BA.3d_igs.zip](#)

English

Customer View Model

[ENG_CVM_CVM_8-2176315-7_BA.3d_stp.zip](#)

English

By downloading the CAD file I accept and agree to the [Terms and Conditions](#) of use.

Datasheets & Catalog Pages

[SMA-A-1017](#)

English