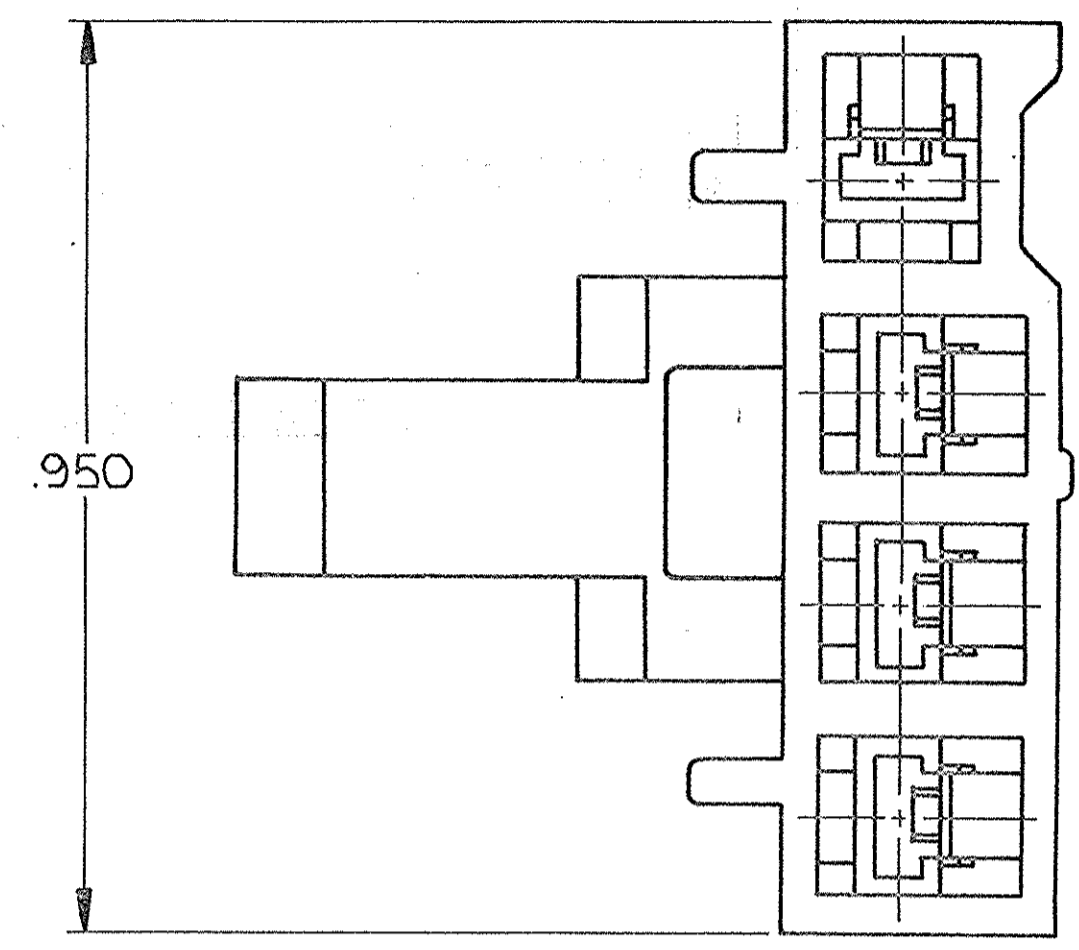
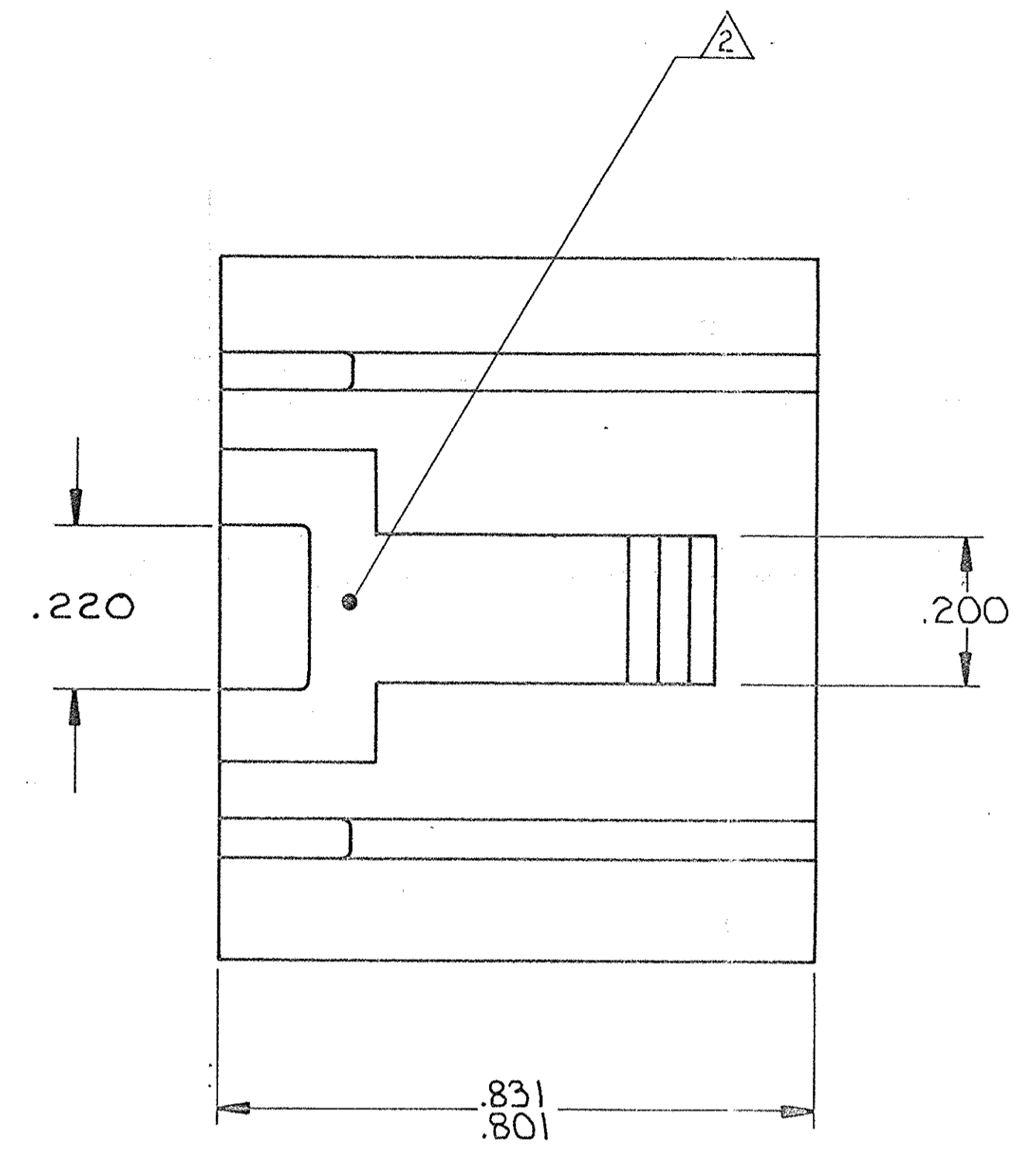
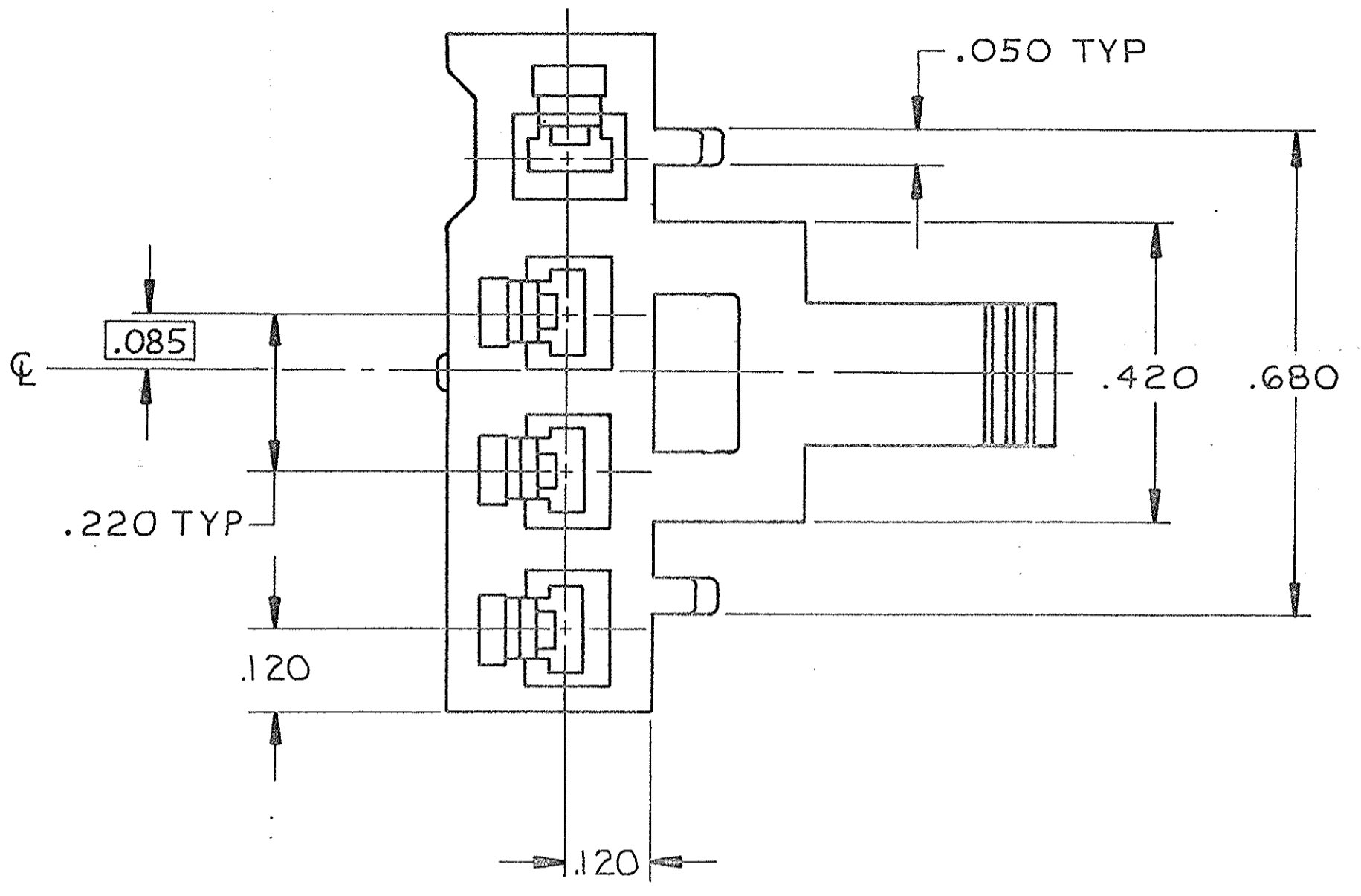
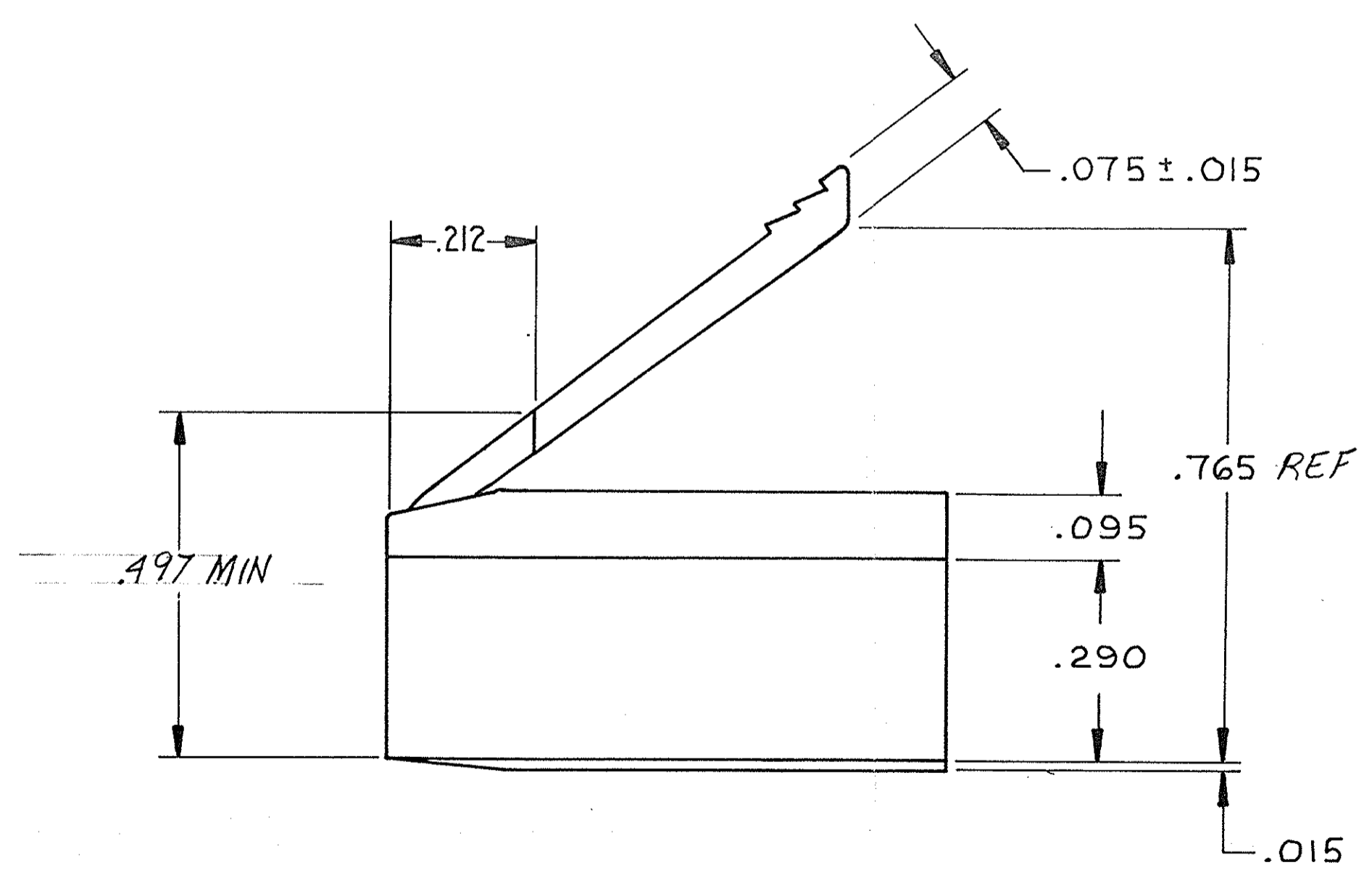


REVISIONS						
P	F	ZONE	LTR	DESCRIPTION	DATE	APPROVED
			D	RLSD PER PR CM 89-38 REV PER CM-2180	2-23-89	PKC / RS
			A	REV PER CM 2227 AND CM 2237	4-5-89	TB / RS
			B	REV PER AF-6572	2/20/90	PMF / J/S
			C	REV PER DG1A-0015-99	25MAR99	PMF / J/S
			D	REV NOTE 1 PER OG3A-0107-00	21Feb00	MSE / DFD
			E	ADDED -2 PER OG3A-0727-00	13NOV00	MSE / DFD
			F	REV STATUS PER OG3A-0369-01	20JUN01	MSE / SFD
			G	OBSOLETE -1 PER OG3A-0521-01	9JUN03	MSE / DFD



- 1. ACCEPTS TERMINAL PART NO: 770642-1.
- 2. AMP LOGO LOCATED ON THIS SURFACE.



OBSOLETE		NATURAL	NYLON, UL 94 V-0	770508-2
		NATURAL	NYLON, UL 94 V-0	770508-1
		FINISH	MATERIAL	PART NO
UNLESS OTHERWISE SPECIFIED DIMENSIONS ARE IN INCHES. TOLERANCES ON: DECIMALS ± .005 ANGLES ±		CONTRACT NO DR P. Collins 2-23-89 CHK R. Smith 2-28-89 APPD R. Smith 3-16-89		AMP INCORPORATED Harrisburg, Pa. 17105 NAME MOTOR HOUSING, 4 CIRCUIT
MATERIAL SEE TABLE		DSGN APPD OTHER APPD		
FINISH SEE TABLE		SIZE D	FSCM NO 00779	DRAWING NO 770508
		SCALE 5:1		SHEET 1 OF 1