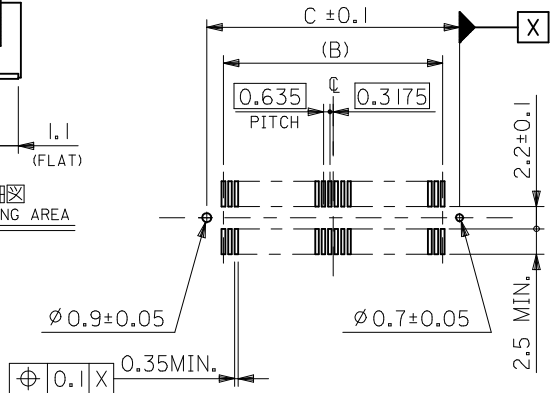
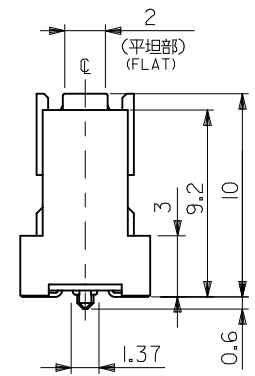


半田付け部詳細図
DETAIL FOR SOLDERING AREA



参考推奨基板寸法
RECOMMENDED PCB PATTERN LAYOUT (REF.)
(SCALE 2:1)

注記
NOTES:

1. 材質
MATERIAL
ハウジング: LCP (液晶ポリマー)、ガラス充填、白色、UL94V-0
HOUSING: LCP (LIQUID CRYSTAL POLYMER), GLASS FILLED, WHITE, UL94V-0
ターミナル: リン青銅 (t=0.2)
TERMINAL: PHOSPHOR BRONZE (t=0.2)
2. メッキ仕様
PLATING
ターミナル
TERMINAL
接点部: 金メッキ 0.76マイクロメートル以上
CONTACT AREA: GOLD 0.76 MICROMETER MINIMUM
半田付け部: 錫メッキ 1.0マイクロメートル以上
SOLDER TAIL AREA: TIN 1.0 MICROMETER MINIMUM
下地メッキ: ニッケルメッキ 2.0マイクロメートル以上
UNDER PLATING: NICKEL 2.0 MICROMETER MINIMUM
3. テールのバラツキ寸法
TAIL COPLANARITY
テール平坦度は、0.1ミリメートル以下。
TAIL COPLANARITY TO BE 0.1 MAXIMUM.

66.17	62.865	69.09	500598-2079	500598-2070	200
C	B	A	スティック梱包 STICK PACKAGING	製品番号 MATERIAL NO.	極数 CIRCUITS

REVISED EC NO: J2014-0899 DRAWN: TKA IHO 2013/11/25 CHKD: ASAKAWA 2013/11/25 APPR: KMORI KAWA 2013/11/26	DESCRIPTION	GENERAL TOLERANCES (UNLESS SPECIFIED)		DIMENSION STYLE MM ONLY		SCALE 4:1	DESIGN UNITS METRIC	THIRD ANGLE PROJECTION	
		10 UNDER	± 0.2	DRAWN BY YUGIURA	DATE 2005/01/24	TITLE 0.635 MM PITCH B/B REC. HSG ASSY SHORT FLANGE -LEAD FREE-			
		10 OVER 30 UNDER	± 0.25	CHECKED BY KTOJO	DATE 2005/01/24				
		30 OVER	± 0.3	APPROVED BY NUKITA	DATE 2005/01/24				
ANGULAR ± 3 °		DRAFT WHERE APPLICABLE MUST REMAIN WITHIN DIMENSIONS		MATERIAL NO. SEE CHART		DOCUMENT NO. SD-500598-003		SHEET NO. 1 OF 1	
SIZE A3		THIS DRAWING CONTAINS INFORMATION THAT IS PROPRIETARY TO MOLEX INCORPORATED AND SHOULD NOT BE USED WITHOUT WRITTEN PERMISSION							

10 9 8 7 6 5 4 3 2 1

F

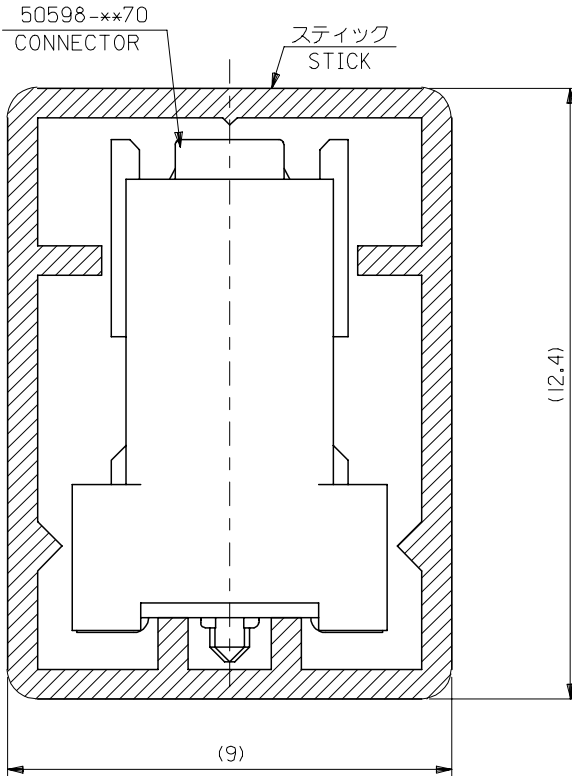
E

D

C

B

A



注記
NOTES.

1. スティック両端はキャップ止め。
BOTH ENDS WITH CAPS.
2. 全長: 600±2
TOTAL LENGTH
3. 肉厚: 0.6±0.2
THICKNESS
4. 材料 スティック: ポリ塩化ビニル
MATERIAL STICK: P.V.C.
5. 本製品は、500598-**-9 の鉛フリー品である。
THIS PRODUCT IS LEAD FREE OF 500598-**-9.

8	500598-2079	200
梱包数 QUANTITY	製品番号 MATERIAL NO.	極数 CIRCUITS

RELEASED EC NO: J2005-2118 DRWN: YSUGIURA 2005/01/24 CHKD: NUKITA 2005/01/25 APPR: NUKITA 2005/01/28	GENERAL TOLERANCES (UNLESS SPECIFIED)		DIMENSION STYLE MM ONLY		SCALE ---	DESIGN UNITS METRIC	THIRD ANGLE PROJECTION	
	10 UNDER	±0.2	DRAWN BY YSUGIURA		DATE 2005/01/24		TITLE 500598-**-70 STICK PACKAGING -LEAD FREE-	
	10 OVER 30 UNDER	±0.25	CHECKED BY KTOJO		DATE 2005/01/24			
	30 OVER	±0.3	APPROVED BY NUKITA		DATE 2005/01/24		MOLEX INCORPORATED	
	ANGULAR	±3 °	MATERIAL NO.		DOCUMENT NO.			
0	DRAFT WHERE APPLICABLE MUST REMAIN WITHIN DIMENSIONS		SEE CHART		SD-500598-004		1 OF 1	