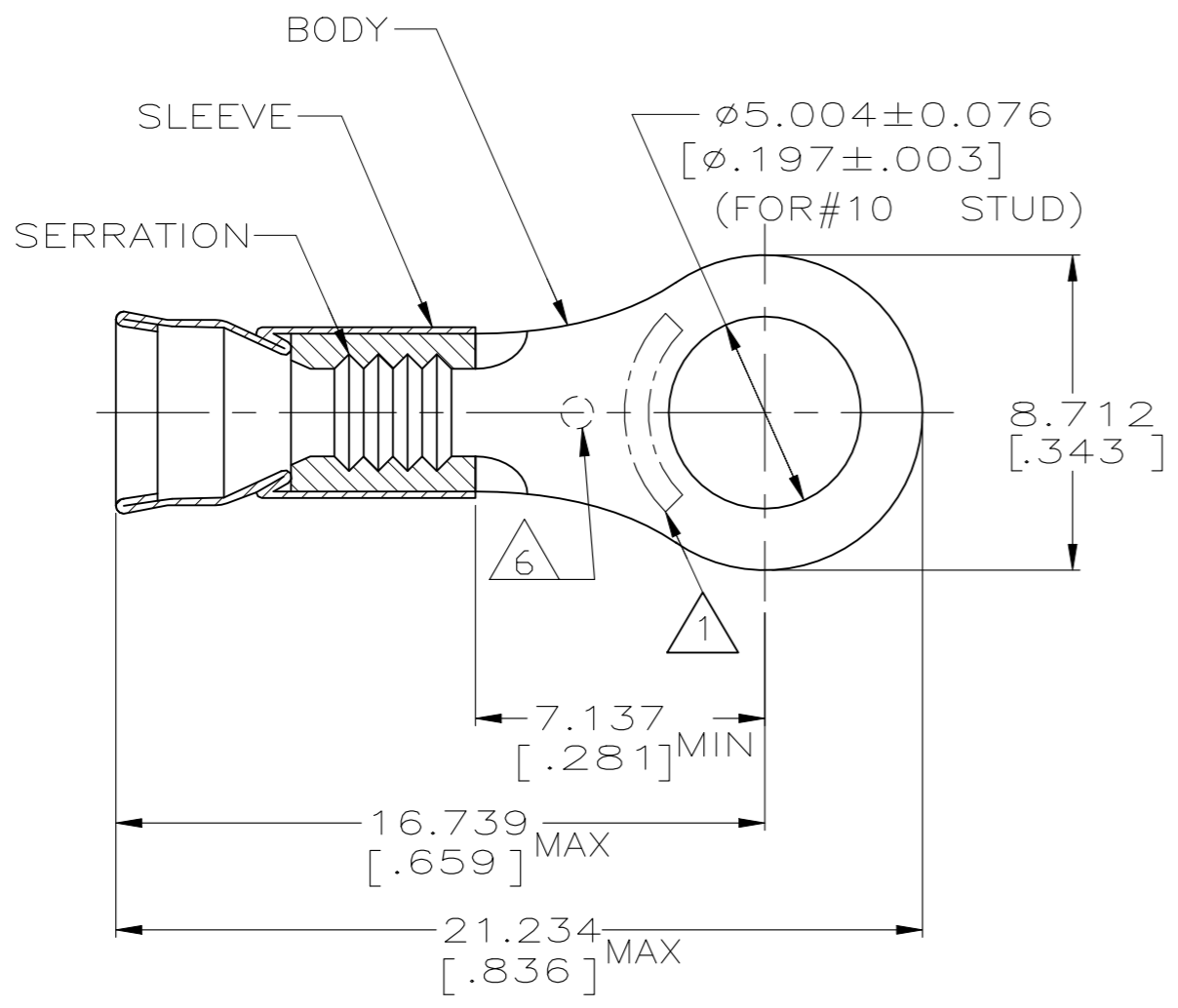


REVISIONS				
P	LTR	DESCRIPTION	DATE	APVD
	G	REVISED PER ECR-22-152397	06OCT2022	BB DSC



- 1 STAMP AMP 16-14* APPROX AS SHOWN
- 2. WIRE INSULATION DIAMETER:
 $\phi 2.032$ [.080] TO $\phi 3.302$ [.130]
- 3. BODY MATERIAL THK: 0.787 ± 0.051 [.031 ± .002]
- 4 MATERIAL:
BODY - COPPER PER ASTM B152
SLEEVE - NICKEL SILVER PER ASTM B122
- 5 FINISH:
BODY - NICKEL PLATE 0.00762 [.000300]
MIN EXT THK PER SAE AMS-QQ-N-290
- 6 "O" STAMP MARK OPTIONAL

1000	LOOSE PIECE	323161
QTY	PACKAGE TYPE	PART NO

AMP INCORPORATED CUSTOMER SERVICE SYSTEMS		MAX RECOMMENDED OPERATING TEMPERATURE: 343°C [650°F]	THIS DRAWING IS A CONTROLLED DOCUMENT.		DWN L OLMEDA 100CT94	STE TE Connectivity			
FOR ADDITIONAL PRODUCT INFORMATION OR COPIES OF DRAWINGS AND TECHNICAL DOCUMENTS	PRODUCT INFORMATION CENTER 1-800-522-6752	VOLTAGE RATING: -	DIMENSIONS: mm [INCHES]	TOLERANCES UNLESS OTHERWISE SPECIFIED:	CHK M ELLIS 100CT94				NAME
FOR APPLICATION TOOLING INFORMATION	TOOLING ASSISTANCE CENTER 1-800-722-1111	CIRCULAR MIL AREA: 1.04mm ² -2.62mm ² [2050-5180] STRANDED WIRE		0 PLC ± - 1 PLC ± - 2 PLC ± - 3 PLC ± 0.127[.005] 4 PLC ± - ANGLES ± -	APVD S BORTNER 100CT94	TERMINAL, RING TONGUE, STRATO-THERM, DIAMOND GRIP WIRE SIZE: 16-14 AWG			
FOR ORDER ENTRY	1-800-526-5142	MATERIAL 4	FINISH 5	FINISH	PRODUCT SPEC -	SIZE A3	CAGE CODE 00779	DRAWING NO G-323161	RESTRICTED TO -
CUSTOMER DRAWING					WEIGHT -	SCALE 6:1	SHEET 1 OF 1	REV G	