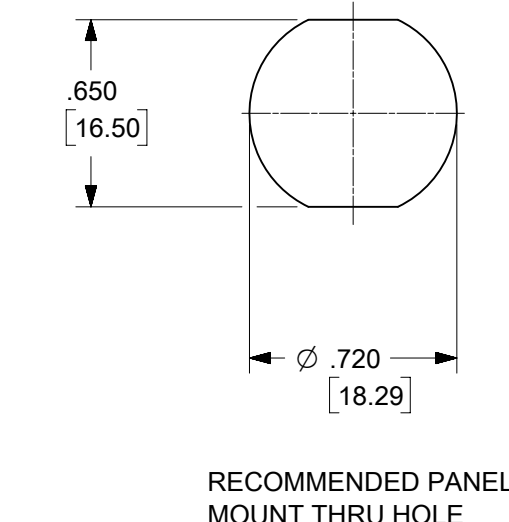
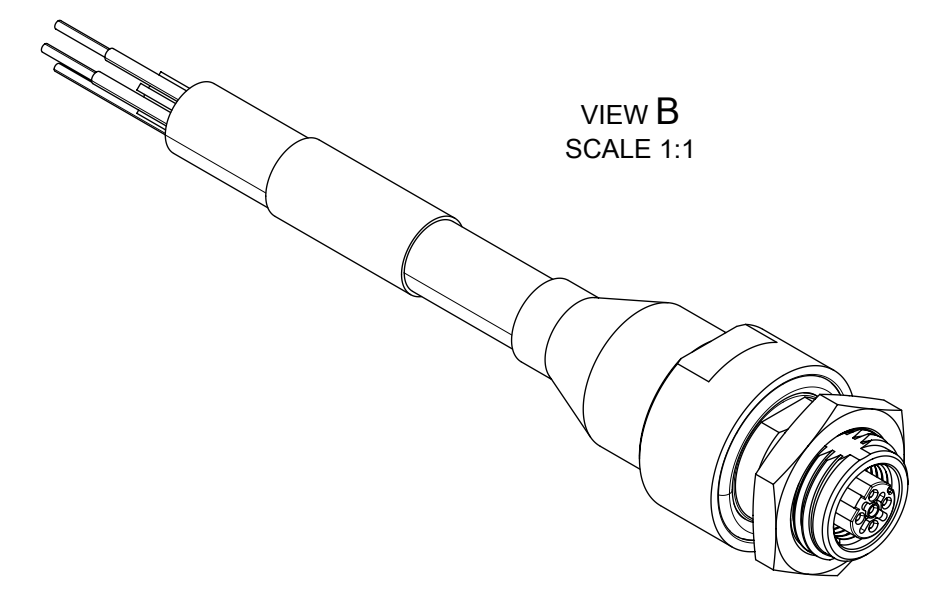
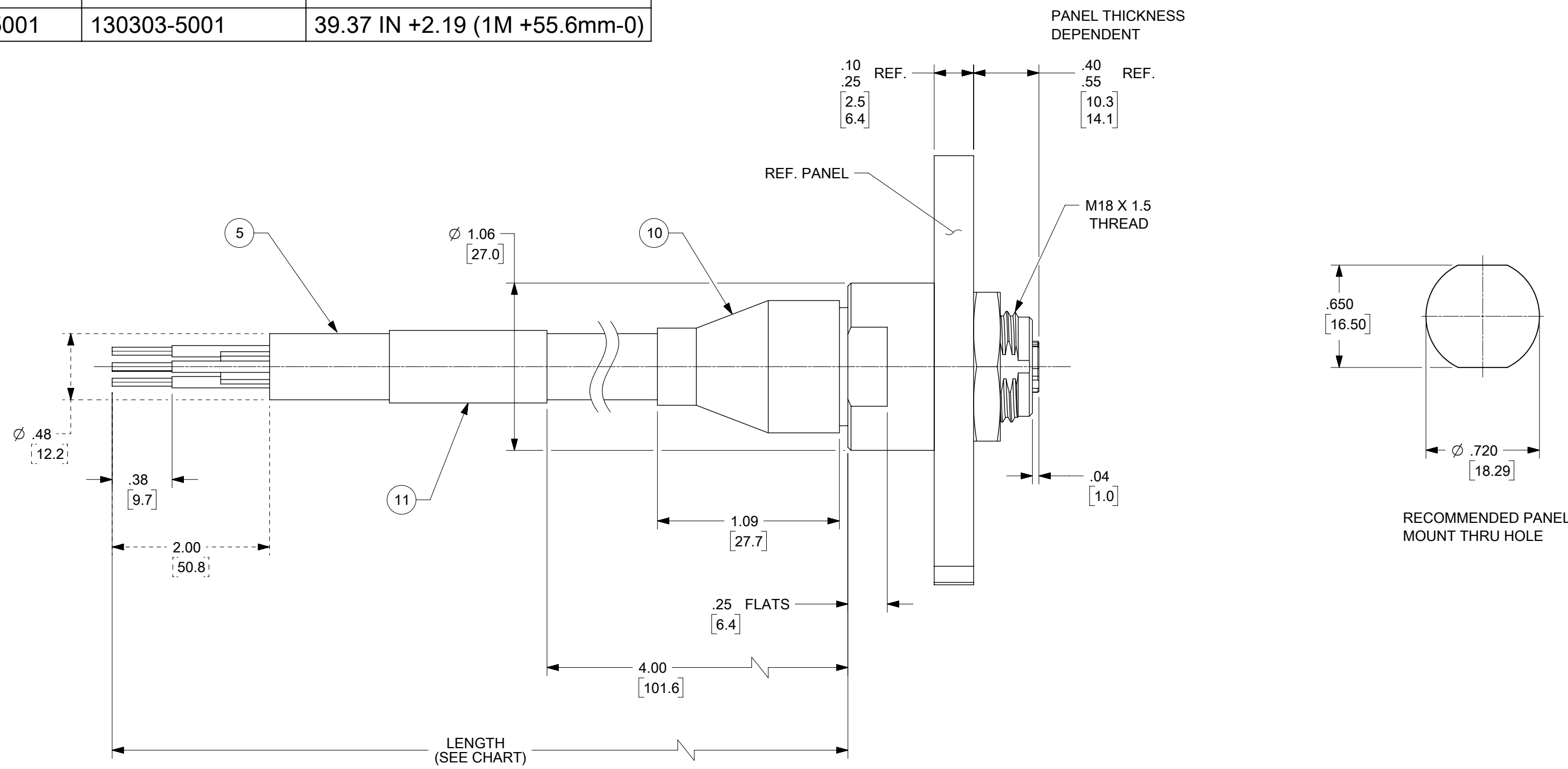
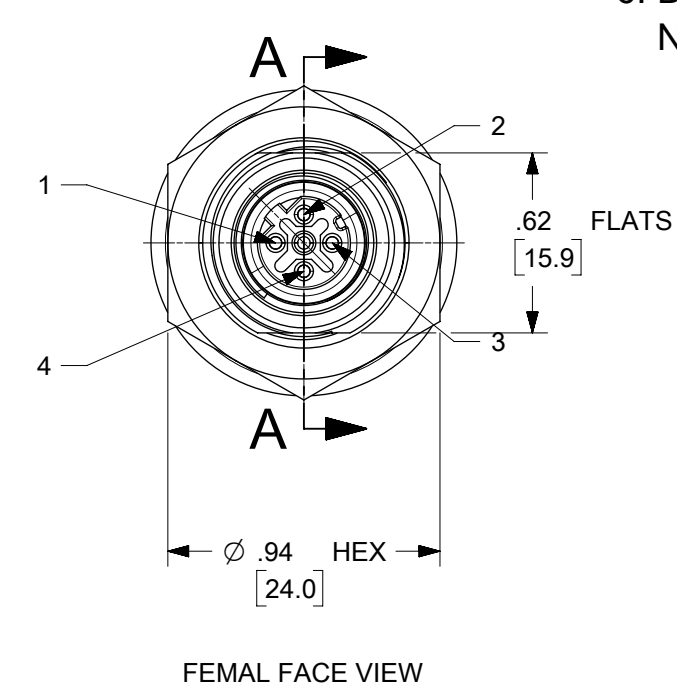
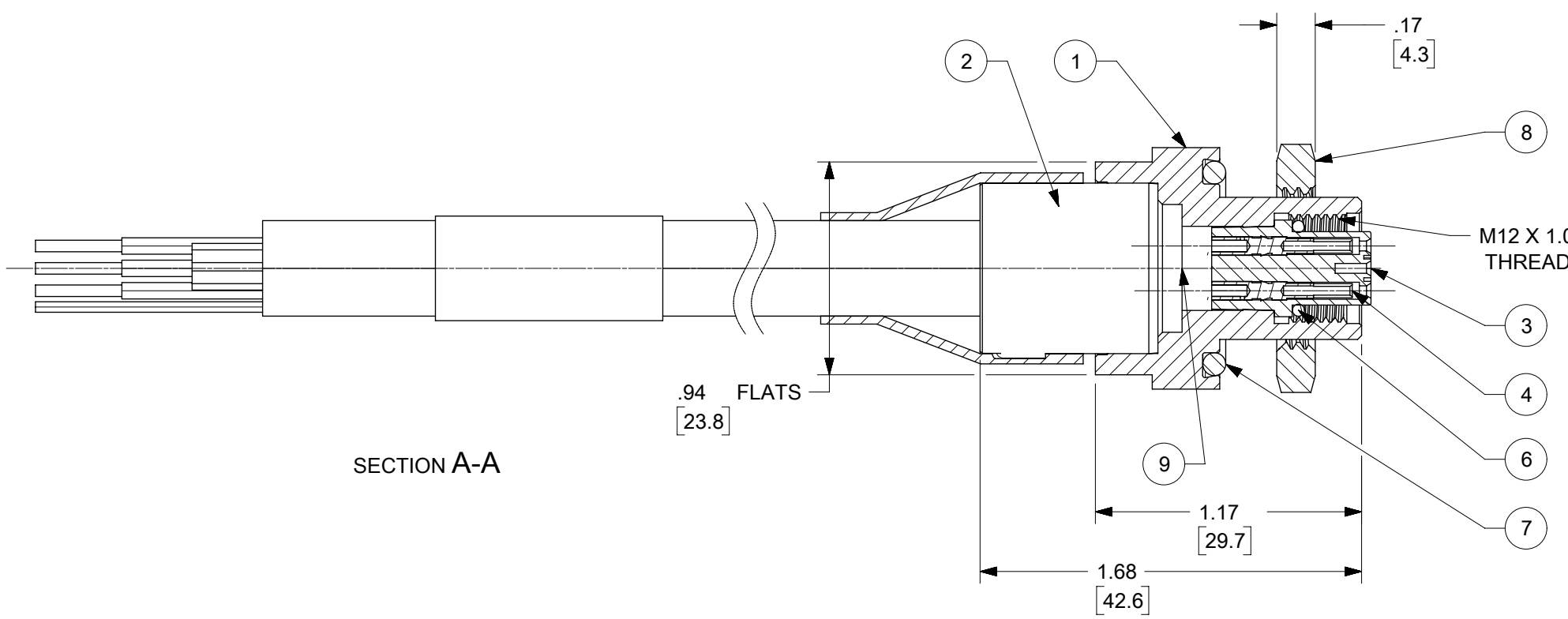


MATERIAL NO.	ENGINEERING NO.	LENGTH
1303035001	130303-5001	39.37 IN +2.19 (1M +55.6mm-0)



- NOTES:
1. MATERIAL: AS NOTED
 2. FINISHES: AS NOTED
 3. ELECTRICAL RATING:
VOLTAGE: 125V
CURRENT: 1.5 AMPS
 4. PANEL NUT TORQUE: 10 FT. LBS.
 5. MATES WITH: M12 MALE D-CODE
 6. DIMS SHOWN ARE FOR REFERENCE UNLESS NOTED OTHERWISE



YELLOW	1
WHITE	2
ORANGE	3
BLUE	4
DRAIN	

RECEPTACLE SHELL

ITEM	DESCRIPTION	MATERIAL	FINISH
11	WRAP LABEL	VINYL	BLACK YELLOW
10	SHRINK SLEEVE	SEMI RIGID ELASTOMER	BLACK
9	POTTING MATERIAL	ENCAPSULANT	
8	PANEL NUT	ST. STEEL	PASSIVATED
7	O-RING, PANEL SEAL	VITON	BROWN
6	O-RING, MATING SEAL	VITON	RED
5	CABLE, 18AWG, 4/C, SHIELDED	XLE INSULATION	BLACK
4	CONTACT SOCKET	Cu ALLOY	GOLD PLATED
3	INSULATOR, D-CODE, ANTI-ROTATIONAL	NYLON	BLACK
2	RECEPTACLE SLEEVE	ST. STEEL	PASSIVATED
1	RECEPTACLE SHELL, ANTI-ROTATIONAL	ST. STEEL	PASSIVATED

SYMBOLS	THIS DRAWING CONTAINS INFORMATION THAT IS PROPRIETARY TO MOLEX ELECTRONIC TECHNOLOGIES, LLC AND SHOULD NOT BE USED WITHOUT WRITTEN PERMISSION		
	DIMENSION UNITS	SCALE	CURRENT REV DESC: REDRAWN AND REVISED
▽ = 0	HYBRID	1.5:1	
▽ = 0	GENERAL TOLERANCES (UNLESS SPECIFIED)		
▽ = 0		MM	INCH
▽ = 0	4 PLACES	±	±
▽ = 0	3 PLACES	±	± 0.005
▽ = 0	2 PLACES	± 0.13	± 0.01
▽ = 0	1 PLACE	± 0.3	±
▽ = 0	0 PLACES	±	±
▽ = 0	ANGULAR TOL	± 2.0 °	
▽ = 0	DRAFT WHERE APPLICABLE MUST REMAIN WITHIN DIMENSIONS	THIRD ANGLE PROJECTION	DRAWING SERIES
		C-SIZE	130303

EC NO: 173756	2018/03/16
DRWN: RSTONE	2018/03/21
CHK'D: MZIELINSKI	2018/04/05
APPR: BWOODMAN	
INITIAL REVISION:	
DRWN: R. STONE	2010/05/11
APPR: JFMURPHY	2010/05/20

DOCUMENT NUMBER		DOC TYPE	DOC PART	REVISION
SD-130303-007		PSD	001	C
MATERIAL NUMBER	CUSTOMER	SHEET NUMBER		
	GENERAL MARKET	1 OF 1		