

6

5

4

3

2

1

E

E

D

D

C

C

B

B

A

A

6

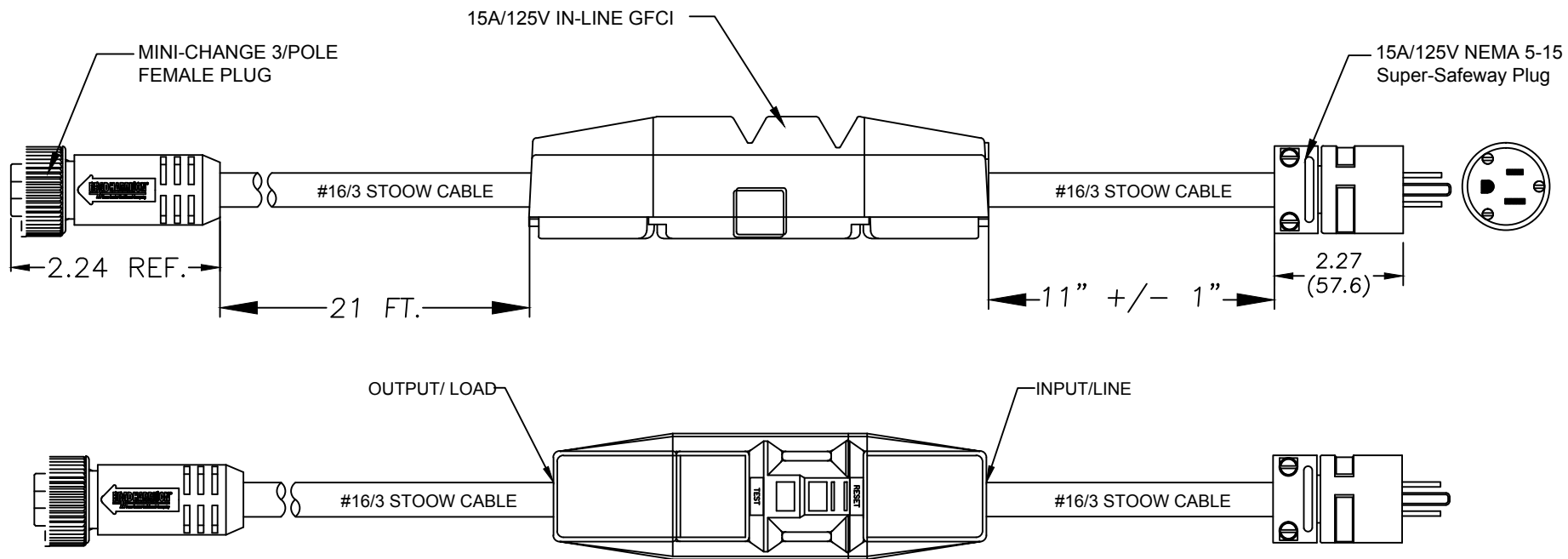
5

4

3

2

1



11" +/- .1" WAS 12 IN. EC NO: IFC2017-0516 DRWN: BPAATERS 1/4/17 CHKD: ----- APPR: HKNEELAN 2010/12/17	QUALITY SYMBOLS	GENERAL TOLERANCES (UNLESS SPECIFIED)		DIMENSION STYLE IN/MM		SCALE NTS	DESIGN UNITS INCH	THIRD ANGLE PROJECTION	
	$\nabla=0$ $\sphericalangle=0$	4 PLACES	mm	INCH	DRAWN BY DATE	TITLE <b>MC 3P FP W/21' 16/3CABLE          IN-LINE 15A/125V          GFCI &amp; 1447 PLUG</b>	<b>MOLEX INCORPORATED</b>	MATERIAL NO. 1301430350 DOCUMENT NO. SD-130143-006 SHEET NO. 1 OF 1	
		3 PLACES	±---	±---	CHECKED BY DATE				
		2 PLACES	±0.13	±0.010	APPROVED BY DATE				
	1 PLACE	±0.25	±0.020	DTITUS 2010/12/17					
		ANGULAR ±.5°		DRAFT WHERE APPLICABLE MUST REMAIN WITHIN DIMENSIONS		THIS DRAWING CONTAINS INFORMATION THAT IS PROPRIETARY TO MOLEX INCORPORATED AND SHOULD NOT BE USED WITHOUT WRITTEN PERMISSION			