

- NOTES:
- MATERIAL =  
 BACKSHELLS - NICKEL PLATED ZINC DIECAST.  
 LATCH - STAINLESS STEEL.  
 PULL - HALOGEN FREE THERMOPLASTIC ELASTOMER (TPE)
  - THIS PRODUCT CONFORMS TO THE MECHANICAL DIMENSIONING OF SFF-8644 AND ELECTRICAL PERFORMANCE REQUIREMENTS OF SAS 3.0
  - RoHS COMPLIANT. NO EXEMPTIONS.
  - TAPE CABLE BUNDLES EVERY 1/2 METER (APPROXIMATELY)
  - PROTECTIVE DUST CAP TO BE INSTALLED ONTO EACH PLUG (NOT SHOWN).

MOLEX P/N	LENGTH (M)	LENGTH TOLERANCE (mm)	AWG
1110771000	0.5	±25	30
1110771001	1.0	±50	30
1110771002	2.0	±50	30
1110771003	3.0	±100	28
1110771004	4.0	±100	26
1110771005	5.0	±100	26
1110771006	6.0	±100	26
1110771007	7.0	±150	24
1110771008	8.0	±150	24

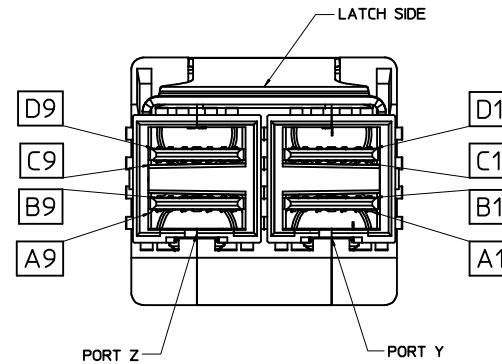
UPDATED CBL GAUGE IEC NO: CPG2015-0299 DRAWN BY: DRWNEEDINA CHECKED BY: CHYKORCHEN APPR: CHRISCHY 2014/04/02 2014/07/07 2014/07/28	QUALITY SYMBOLS	GENERAL TOLERANCES (UNLESS SPECIFIED)	DIMENSION STYLE	SCALE	DESIGN UNITS	THIRD ANGLE PROJECTION
	▽=0	mm INCH	MM ONLY	2:1	METRIC	☉
	▽=0	4 PLACES ±--- ±---	RKLINE	DATE	TITLE	
	▽=0	3 PLACES ±0.13 ±---	SHOSSAIN	2012/09/19	MINISAS 8X HD TO MINISAS 8X HD 12GB EXT PASSIVE CBL ASSY	
	1 PLACE ±0.25 ±---	APPROVED BY	DATE			
	0 PLACE ±--- ±---	RMKHAN	2013/07/03			
	ANGULAR ±1/2°	MATERIAL NO.	DOCUMENT NO.			
	DRAFT WHERE APPLICABLE MUST REMAIN WITHIN DIMENSIONS	SEE P/N TABLE	SD-111077-1000			
	SIZE D	THIS DRAWING CONTAINS INFORMATION THAT IS PROPRIETARY TO MOLEX INCORPORATED AND SHOULD NOT BE USED WITHOUT WRITTEN PERMISSION				

MINISAS HD WIRING CHART				
-P1 (PORT Y)-		-P2 (PORT Y)-		
GND	D9	----	B9	GND
Tx2-	D8	---->	B8	Rx2-
Tx2+	D7	---->	B7	Rx2+
GND	D6	----	B6	GND
Tx0-	D5	---->	B5	Rx0-
Tx0+	D4	---->	B4	Rx0+
GND	D3	----	B3	GND
Vman	D2	**■**	B2	ModPrsL
Vact	D1	**■**	B1	Vact
SCL	C1	**■**	A1	Rsv
SDA	C2	**■**	A2	IntL
GND	C3	----	A3	GND
Tx1+	C4	---->	A4	Rx1+
Tx1-	C5	---->	A5	Rx1-
GND	C6	----	A6	GND
Tx3+	C7	---->	A7	Rx3+
Tx3-	C8	---->	A8	Rx3-
GND	C9	----	A9	GND
GND	B9	----	D9	GND
Rx2-	B8	<----	D8	Tx2-
Rx2+	B7	<----	D7	Tx2+
GND	B6	----	D6	GND
Rx0-	B5	<----	D5	Tx0-
Rx0+	B4	<----	D4	Tx0+
GND	B3	----	D3	GND
ModPrsL	B2	**■**	D2	Vman
Vact	B1	**■**	D1	Vact
Rsv	A1	**■**	C1	SCL
IntL	A2	**■**	C2	SDA
GND	A3	----	C3	GND
Rx1+	A4	<----	C4	Tx1+
Rx1-	A5	<----	C5	Tx1-
GND	A6	----	C6	GND
Rx3+	A7	<----	C7	Tx3+
Rx3-	A8	<----	C8	Tx3-
GND	A9	----	C9	GND

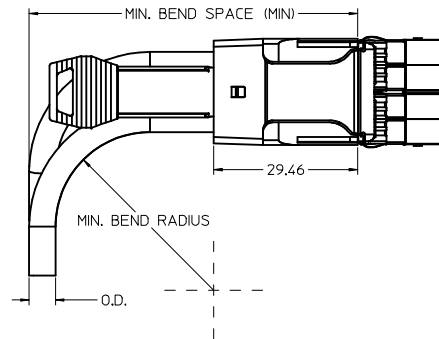
MINISAS HD WIRING CHART				
-P1 (PORT Z)-		-P2 (PORT Z)-		
GND	D9	----	B9	GND
Tx2-	D8	---->	B8	Rx2-
Tx2+	D7	---->	B7	Rx2+
GND	D6	----	B6	GND
Tx0-	D5	---->	B5	Rx0-
Tx0+	D4	---->	B4	Rx0+
GND	D3	----	B3	GND
Vman	D2	**■**	B2	ModPrsL
Vact	D1	**■**	B1	Vact
SCL	C1	**■**	A1	Rsv
SDA	C2	**■**	A2	IntL
GND	C3	----	A3	GND
Tx1+	C4	---->	A4	Rx1+
Tx1-	C5	---->	A5	Rx1-
GND	C6	----	A6	GND
Tx3+	C7	---->	A7	Rx3+
Tx3-	C8	---->	A8	Rx3-
GND	C9	----	A9	GND
GND	B9	----	D9	GND
Rx2-	B8	<----	D8	Tx2-
Rx2+	B7	<----	D7	Tx2+
GND	B6	----	D6	GND
Rx0-	B5	<----	D5	Tx0-
Rx0+	B4	<----	D4	Tx0+
GND	B3	----	D3	GND
ModPrsL	B2	**■**	D2	Vman
Vact	B1	**■**	D1	Vact
Rsv	A1	**■**	C1	SCL
IntL	A2	**■**	C2	SDA
GND	A3	----	C3	GND
Rx1+	A4	<----	C4	Tx1+
Rx1-	A5	<----	C5	Tx1-
GND	A6	----	C6	GND
Rx3+	A7	<----	C7	Tx3+
Rx3-	A8	<----	C8	Tx3-
GND	A9	----	C9	GND

**LEGEND:**

- \*\* = RESERVED FOR POWER AND MANAGEMENT INTERFACE
- > = TRANSMIT TO RECEIVE ON HIGH SPEED LINES
- = THRU LINES
- = CONNECTION TO A DEVICE ON THE PCB



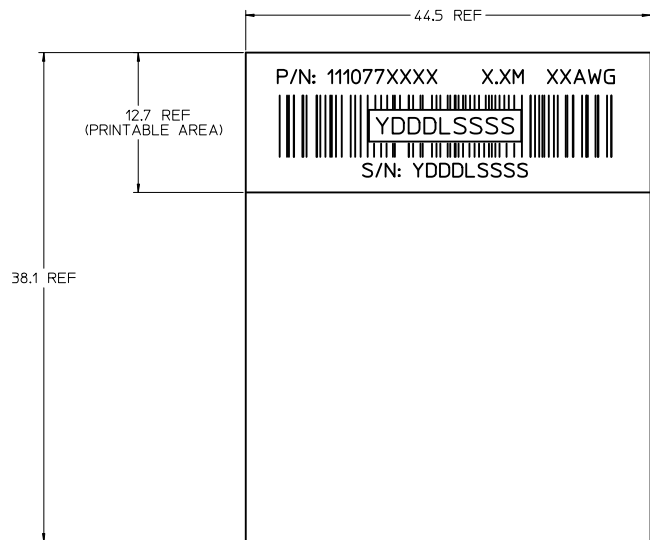
**CABLE BEND ALLOWANCE (MIN)**



AWG	O.D.	MINIMUM BEND RADIUS (MM)	MINIMUM BEND SPACE (MM)
30	5.10	26	60
28	5.60	28	63
26	6.90	35	71
24	7.60	38	75

UPDATED CBL GAUGE IEC NO: CPG2015-0299 2014/04/02 DRAWN BY: DRW:MEDEINA 2014/07/07 CHECKED BY: CHYKORCHEN 2014/07/07 APPR:CHRISCHY 2014/07/28 REV: DESCRIPTION	QUALITY SYMBOLS ▽=0 ▽=0 ▽=0		GENERAL TOLERANCES (UNLESS SPECIFIED) mm    INCH 4 PLACES ±--- ±--- 3 PLACES ±0.13 ±--- 2 PLACES ±0.25 ±--- 1 PLACE ±--- ±--- 0 PLACE ±--- ±---		DIMENSION STYLE MM ONLY DRAWN BY: RKLIN DATE: 2012/09/19 CHECKED BY: SHOSSAIN DATE: 2013/04/09 APPROVED BY: RMKHAN DATE: 2013/07/03		SCALE 5:1	DESIGN UNITS METRIC	THIRD ANGLE PROJECTION
	ANGULAR ±1/2° DRAFT WHERE APPLICABLE MUST REMAIN WITHIN DIMENSIONS		SEE P/N TABLE		MATERIAL NO. SD-111077-1000 DOCUMENT NO. SD-111077-1000		TITLE MINISAS 8X HD TO MINISAS 8X HD 12GB EXT PASSIVE CBL ASSY <b>molex</b>		
	SHEET NO. 2 OF 3			INCORPORATED AND SHOULD NOT BE USED WITHOUT WRITTEN PERMISSION			THIS DRAWING CONTAINS INFORMATION THAT IS PROPRIETARY TO MOLEX		
	INCORPORATED AND SHOULD NOT BE USED WITHOUT WRITTEN PERMISSION								

CABLE ID LABEL



P/N: SEE TABLE  
 S/N: Y = YEAR, LAST DIGIT OF YEAR  
 DDD = DAY OF THE YEAR  
 L = LOCATION - 1 = USA  
 2 = MEXICO  
 3 = CHINA  
 SSSS = SERIAL NUMBER  
 X.XM: CABLE LENGTH, SEE TABLE  
 XXAWG: WIRE GAGE, SEE TABLE  
 (DATE CODE ISO-8601 FORMAT)

UPDATED CBL GAUGE IEC NO: CPG2015-0299 DRAWN BY: CHYKORCHEN 2014/07/07 APPR: CHRISCHY 2014/07/28	QUALITY SYMBOLS	GENERAL TOLERANCES (UNLESS SPECIFIED)	DIMENSION STYLE	SCALE	DESIGN UNITS	THIRD ANGLE PROJECTION
	▽=0	4 PLACES ± mm	MM ONLY	3:1	METRIC	☉
	▽=0	3 PLACES ± 0.13	INCH			
	▽=0	2 PLACES ± 0.25				
	ANGULAR ±1/2°	DRAFT WHERE APPLICABLE MUST REMAIN WITHIN DIMENSIONS	DRAWN BY: RKLIN 2012/09/19	DATE: 2012/09/19	TITLE: MINISAS 8X HD TO MINISAS 8X HD 12GB EXT PASSIVE CBL ASSY	
			CHECKED BY: SHOSSAIN 2013/04/09	DATE: 2013/04/09		
			APPROVED BY: RMKHAN 2013/07/03	DATE: 2013/07/03		
			MATERIAL NO.	DOCUMENT NO.	SHEET NO.	
			SEE P/N TABLE	SD-111077-1000	3 OF 3	
			THIS DRAWING CONTAINS INFORMATION THAT IS PROPRIETARY TO MOLEX INCORPORATED AND SHOULD NOT BE USED WITHOUT WRITTEN PERMISSION			