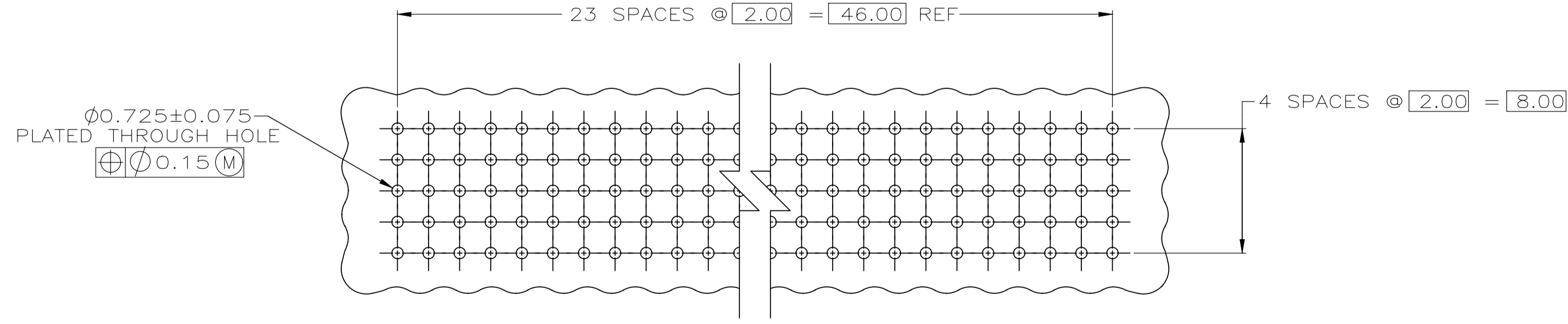
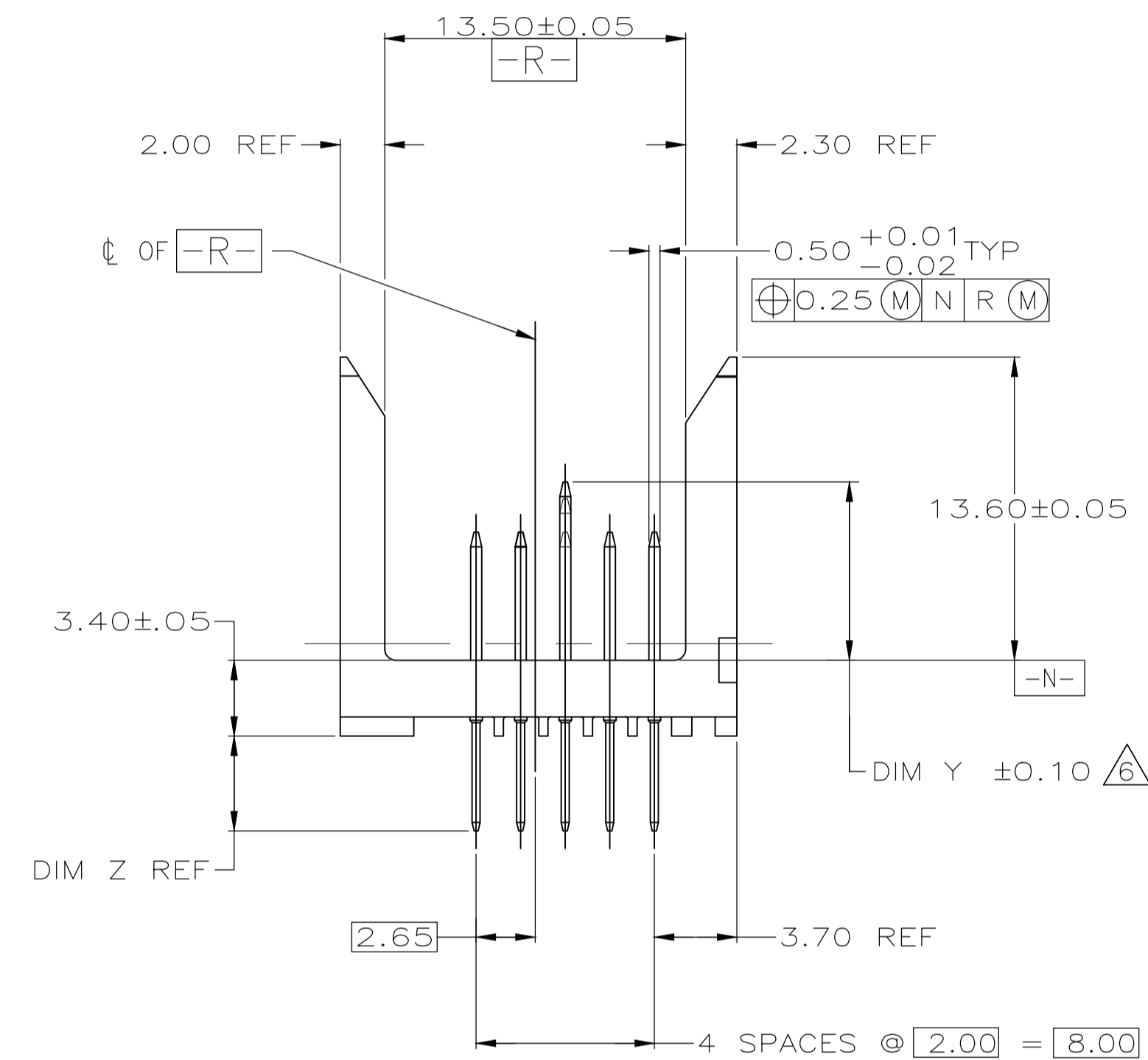
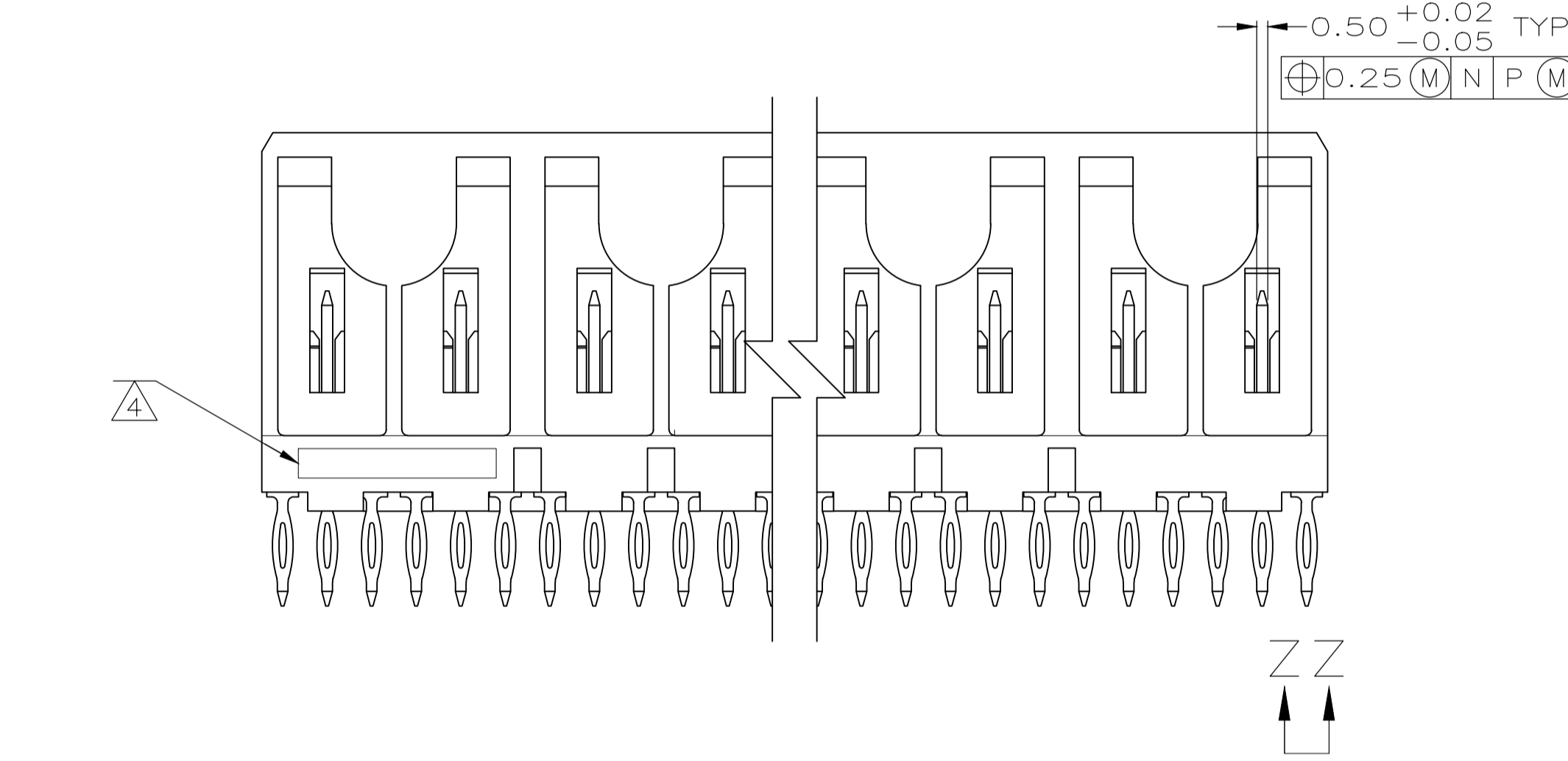
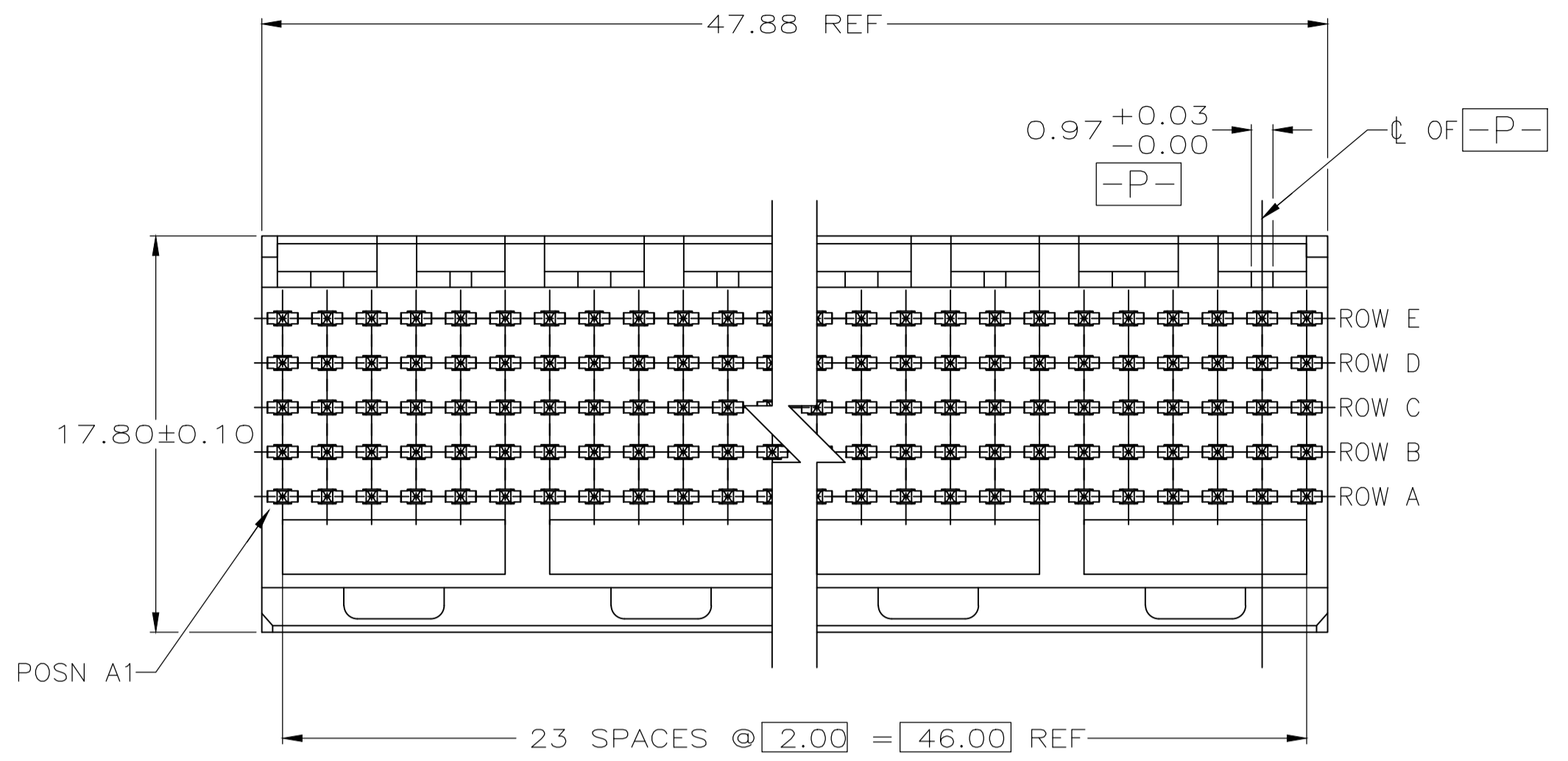
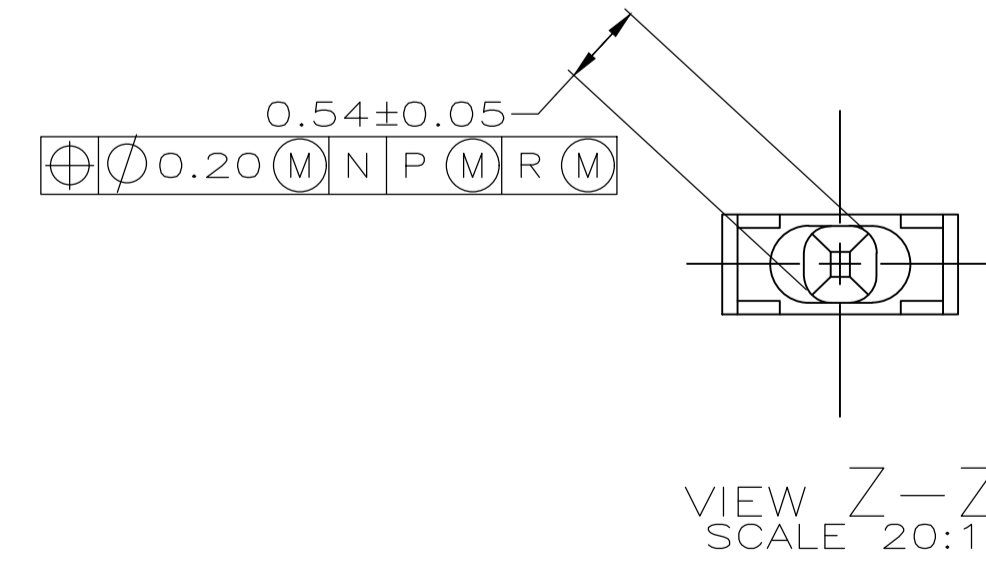


REVISIONS					
P	LTR	DESCRIPTION	DATE	DMN	APVD
E		REVISED PER ECO-20-013368	27SEP2020	RZ	HL



RECOMMENDED CIRCUIT PATTERN (COMPONENT SIDE)



- 1 HOUSING MATERIAL: LIQUID CRYSTAL POLYMER. COLOR: NATURAL.
- 2 CONTACT MATERIAL: PHOSPHOR BRONZE.
- 3 CONTACT FINISH:(B)  
UNDERPLATE (ENTIRE CONTACT):  
0.00127 MIN NICKEL PER SAE-AMS-QQ-N-290  
ON MATING SURFACES:  
CONFORMS TO ALL TESTING SPECIFIED FOR TELCORDIA UNCONTROLLED ENVIRONMENT.  
ON LEADS:  
0.0006 MIN MATTE TIN PER ASTM B 545 OVER UNDERPLATE.  
LUBRICATION (MIN MATING SURFACES):  
SURFACE CONDITIONER AFTER PLATING.
- 4 PART MARKING, LOCATED APPROXIMATELY AS SHOWN.
- 5. SEE SHEET 2 FOR SEQUENCING CHARTS.
- 6 DIMENSION APPLIES WHEN SEATED ON PRINTED CIRCUIT BOARD.
- 7 SEE RESTRICTED CUSTOMER DRAWING 1-5223083-9.
- 8 SEE RESTRICTED CUSTOMER DRAWING 2-5223083-0.
- 9 OBSOLETE PARTS: OBSOLETE CIS STREAMLINING PER D.RENAUD/D.SINISI

REVISION	DESCRIPTION	DATE	DMN	APVD
3	4-5223083-5			
3	4-5223083-9			
3	4-5223083-8			
3	3-5223083-9			
3	3-5223083-7			
3	3-5223083-6			
3	3-5223083-5			
3	3-5223083-3			
3	3-5223083-2			
3	3-5223083-1			
3	3-5223083-0			
3	2-5223083-9			
3	2-5223083-7			
3	2-5223083-6			
3	2-5223083-5			
3	2-5223083-3			
3	2-5223083-0			
3	1-5223083-9			
3	1-5223083-8			
3	1-5223083-7			
3	1-5223083-6			
3	1-5223083-5			
3	1-5223083-4			
3	1-5223083-3			
3	1-5223083-2			
3	1-5223083-1			
3	1-5223083-0			
3	5223083-9			
3	5223083-8			
3	5223083-7			
3	5223083-6			
3	5223083-5			
3	5223083-4			
3	5223083-3			
3	5223083-2			
3	5223083-1			
3	5223083-0			
3	5223083-9			
3	5223083-8			
3	5223083-7			
3	5223083-6			
3	5223083-5			
3	5223083-4			
3	5223083-3			
3	5223083-2			
3	5223083-1			
3	5223083-0			
3	5223083-9			
3	5223083-8			
3	5223083-7			
3	5223083-6			
3	5223083-5			
3	5223083-4			
3	5223083-3			
3	5223083-2			
3	5223083-1			
3	5223083-0			

THIS DRAWING IS A CONTROLLED DOCUMENT.

DIMENSIONS: mm

TOLERANCES UNLESS OTHERWISE SPECIFIED:

0. PLC	±	-
1. PLC	±	0.13
2. PLC	±	0.13
3. PLC	±	0.13
4. PLC	±	0.13
ANGLES	±	-

MATERIAL: 1 2 3

FINISH: 1 2 3

THIS DRAWING IS A CONTROLLED DOCUMENT.

DIN: B.MCMMASTER 130EC04

CIR: R.WERTZ 130EC04

APVD: R.WERTZ 130EC04

NAME: PIN ASSY,Z-PACK 2mm FB,SIGNAL VERTICAL 5R,120P SEQUENCED WITH PRESS FIT LEADS

APPLICATION SPEC: -

SIZE: A1

SCALE: 4:1

SHEET: 1 OF 3

REV: E



