



## tM-7565

Intelligent tiny USB/CAN Converter

### Features

- Fully compatible with ISO 11898-2 standard, and support CAN 2.0A and CAN 2.0B
- Support various CAN baud rate to 1M bps
- Support user-defined CAN baud rate
- Support various USB baud rate to 230400 bps
- Build-in selectable 120 Ω terminal resistor
- Power, data flow and error indicator for CAN and USB
- Support various communication mode
- Software buffer on CAN bus side and USB side
- Support user-defined end of characters on pair connection mode
- Support timestamp response on USB side
- Using Virtual COM technique

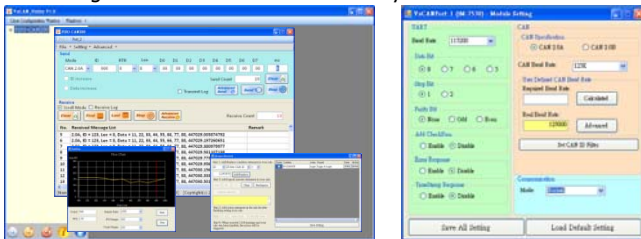


### Introduction

In order to cater for costing requirement, we provide a new solution of USB to CAN converter-tM-7565. The tM-7565 is a tiny USB to CAN converter to fit for narrower environment as a result of its small size. Since it has USB interface, it is easily to be used via laptop. It has isolation on power side and on CAN bus side and it has a good performance. The function of tM-7565 can full compatibly with I-7565. In additional, it provides new function such as listen only. User can use this function to listen CAN bus messages and error detection. According to above features, tM-7565 is an economical and practical USB to CAN converter solution.

### Software Utility Feature

- CAN Messages logger functions.
- Support group send CAN messages.
- Presents the CAN Bus loading by the trend via utility.
- Supports the configuration of the trigger event for starting transmission, stop reception or recording the messages.
- Integrate all CAN bus converter utility of ICP DAS

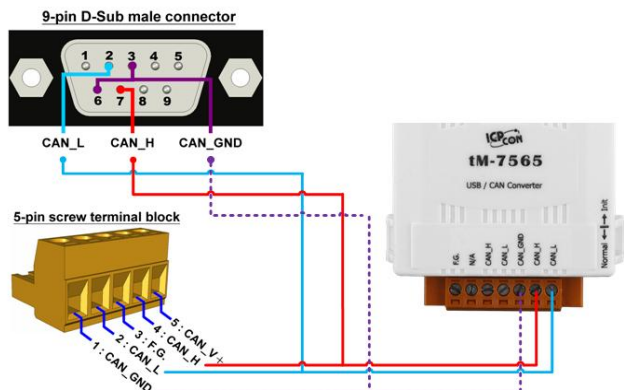


### Pin Assignments

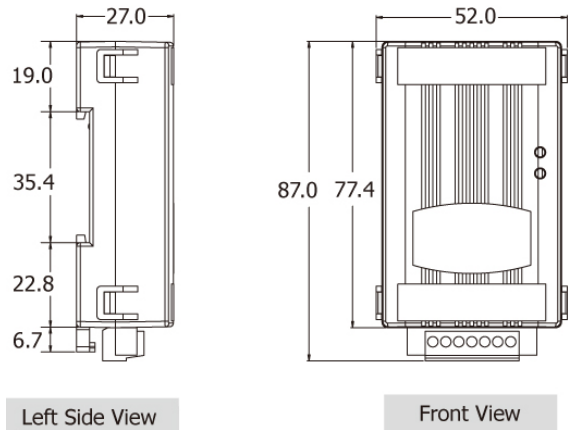


Pin	Description
1	CAN Low(CAN_L)
2	CAN High(CAN_H)
3	CAN Ground(CAN_GND)
4	CAN Low(CAN_L, bypass)
5	CAN High(CAN_H, bypass)
6	N/A
7	Frame Ground(F.G.)

### Wiring Connection



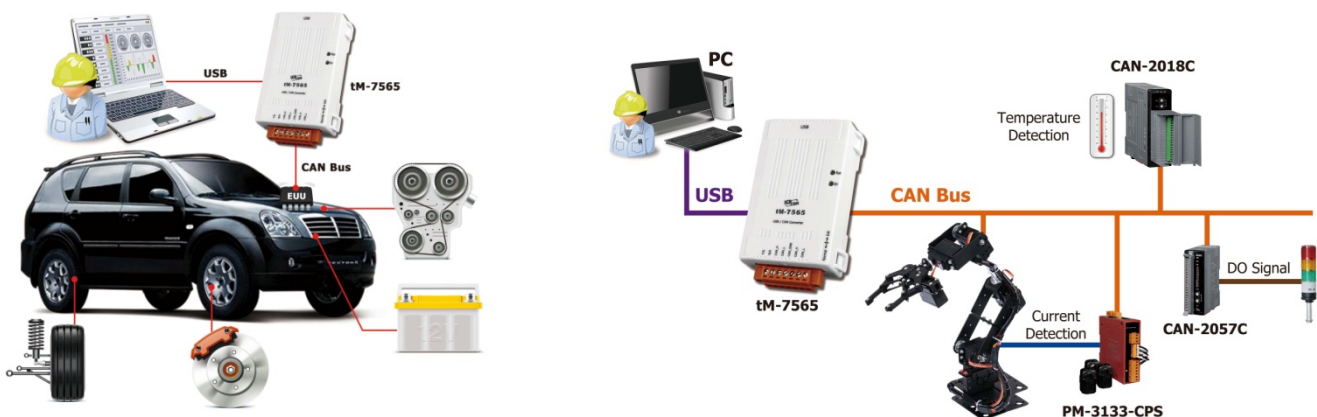
### Dimensions (Units: mm)



## Hardware Specifications

CAN Interface	
Controller	Microprocessor inside with 48MHz
Channel number	1
Connector	7-pin screwed terminal block(CAN_H, CAN_L, CAN_GND)
Baud Rate (bps)	10 k, 20k 50k, 100k, 125k, 250k, 500k, 800k, 1000k bps
Transmission Distance(m)	Depend on baud rate (for example, max. 1000 m at 50 kbps )
Isolation	3000VDC for DC-to-DC, 2500Vrms for photo couple
Terminal Resistor	Build-in selectable 120 Ω terminal resistor
Specification	ISO 11898-2, CAN 2.0A and CAN 2.0B
USB Interface	
COM	Virtual COM
COM Connector	USB Type B
Baud Rate (bps)	110, 150, 300, 600, 1200, 2400, 4800, 9600, 19200, 38400, 57600, 115200, 230400 bps (after firmware version 3.90, it can support 460800bps and 921600bps)
Data Bit	5, 6, 7, 8
Stop bit	1, 2
Parity	None, Even, Odd
LED	
Round LED	Run LED: Power and Data Flow; ERR LED: Error
Power	
Power Consumption	1W
Mechanism	
Dimensions	52 mm x 87 mm x 27 mm (W x L x H)
Environment	
Operating Temp.	-25 ~ 75 °C
Storage Temp.	-30 ~ 80 °C
Humidity	10 ~ 90% RH, non-condensing

## Application



## Ordering Information

<b>tM-7565 CR</b>	Intelligent tiny USB to CAN converter (RoHS)
<b>CA-USB18</b>	1.8M USB type A to type B cable