

# Data sheet

## PC board insert M12, A-coded, 4-pole, black, Tape & Reel

Page 1/5

P/N

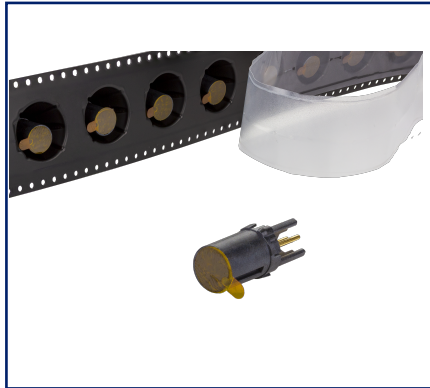
MMT060A715-G201

EAN 4251394631844

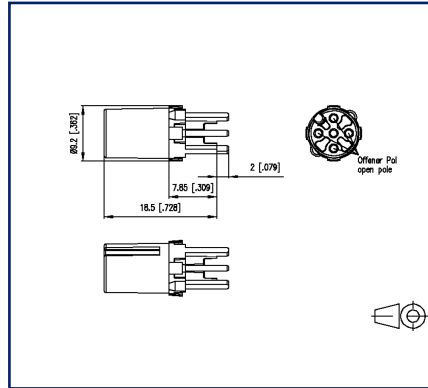
2022/06/27

Version: K

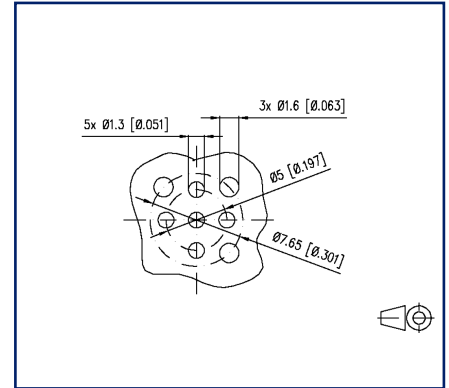
### Illustrations



Dimensional drawing



Drill pattern



See enlarged drawings at the end of document

### Product specification

- PC board insert M12
- 4-pole, A-coded according to IEC 61076-2-101
- THR solderable
- Top entry
- Contact carriers black
- Tape & Reel packaging
- suitable for applications in the railway industry according to data sheet

**PC board insert M12, A-coded, 4-pole, black, Tape & Reel**

P/N  
**MMT060A715-G201**  
**EAN 4251394631844**  
 2022/06/27  
 Version: K

**Technical Data**

**General Data**

|                   |                                    |
|-------------------|------------------------------------|
| Dimensions        |                                    |
| Dimension (D x H) | Ø 9.2 mm x 20.5 mm                 |
| Dimension (D x H) | 0.362 in. x 0.807 in.              |
| Ports             | Single port                        |
| Solderability     | Acc. to IPC/JEDEC J-STD-020E-MSL 1 |
| Coding            | A-coded                            |

**Electrical characteristics**

|                                    |               |
|------------------------------------|---------------|
| Rated voltage                      | 250 V         |
| Current carrying capacity at 40 °C | 4 A           |
| Insulation resistance              | min. 100 MOhm |
| Overvoltage category               | II            |
| Degree of pollution                | 2             |

**Mechanical data**

|                                |             |
|--------------------------------|-------------|
| Material                       |             |
| Material - Contact             | CuZnPb      |
| Contact surface                | Ni + Au     |
| Material - Insulating body     | LCP UL94 V0 |
| Color                          | black       |
| RoHS                           | pending     |
| REACH                          | compliant   |
| Life - Number of mating cycles | >= 100      |

**Climatic properties**

|                            |                 |
|----------------------------|-----------------|
| Temperature - Operating °C | -40 °C - 85 °C  |
| Temperature - Operating °F | -40 °F - 185 °F |

**Approvals**

|                  |         |
|------------------|---------|
| Approval mark UL | pending |
|------------------|---------|

**Packaging**

|                   |                         |
|-------------------|-------------------------|
| Type of packaging | 160 pc(s) / Tape & Reel |
|-------------------|-------------------------|

© 2022 METZ CONNECT - Technische Änderungen vorbehalten! Subject to modifications! Sous réserve de modifications techniques!

## Technical Data

### Standards/Regulations

#### Railway applications

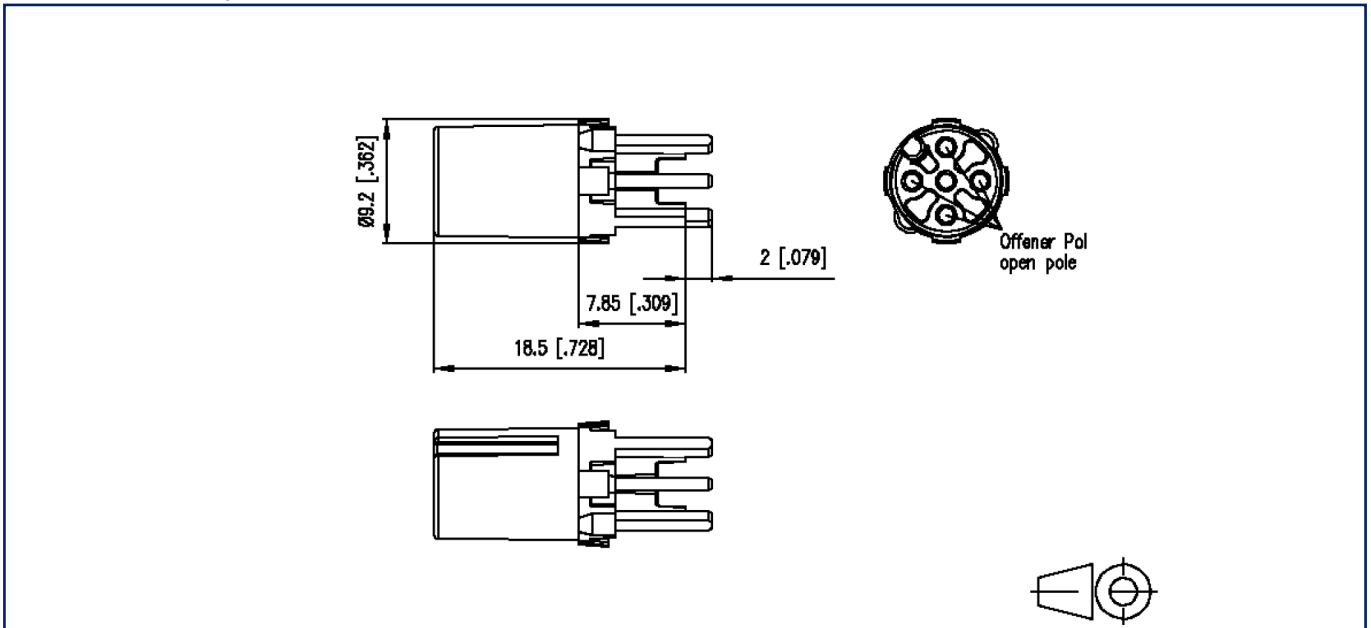
|  |                             |
|--|-----------------------------|
| Electronic equipment used on rolling stock | following to DIN EN 50155   |
| Fire protection on railway vehicles        | following to DIN EN 45545-2 |

### Classifications

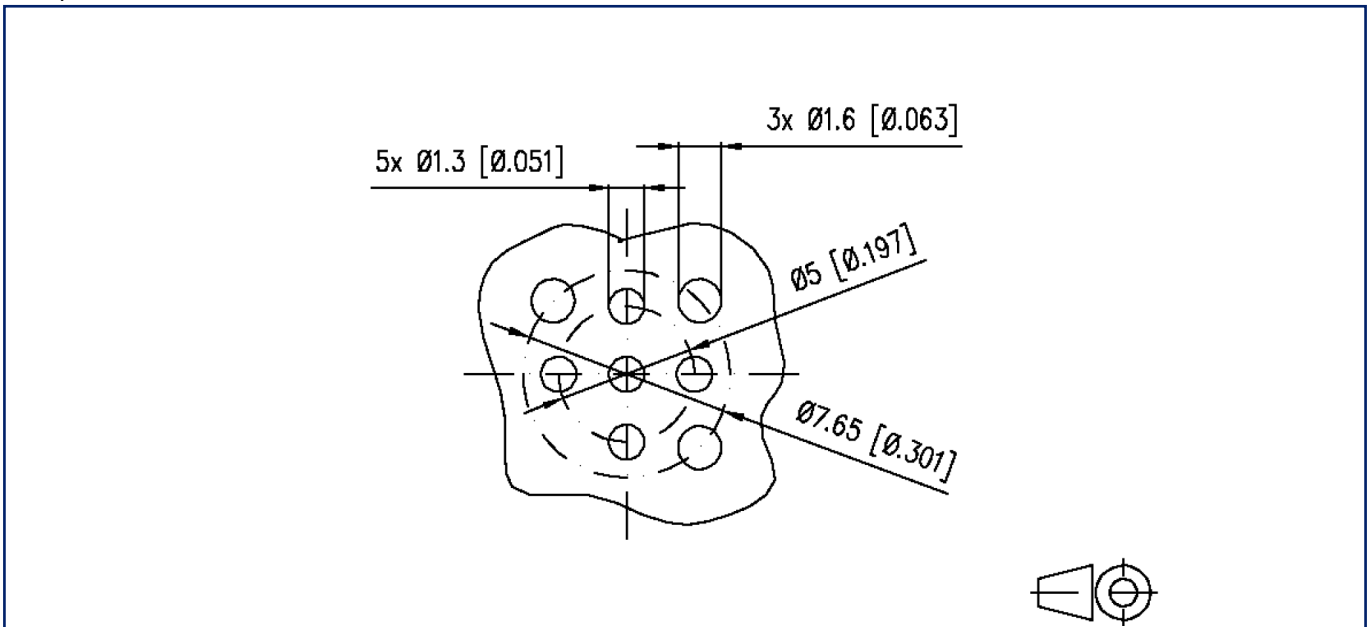
|          |          |
|----------|----------|
| ETIM 7.0 | EC002637 |
| ETIM 8.0 | EC002637 |

**Illustrations**

Dimensional drawing

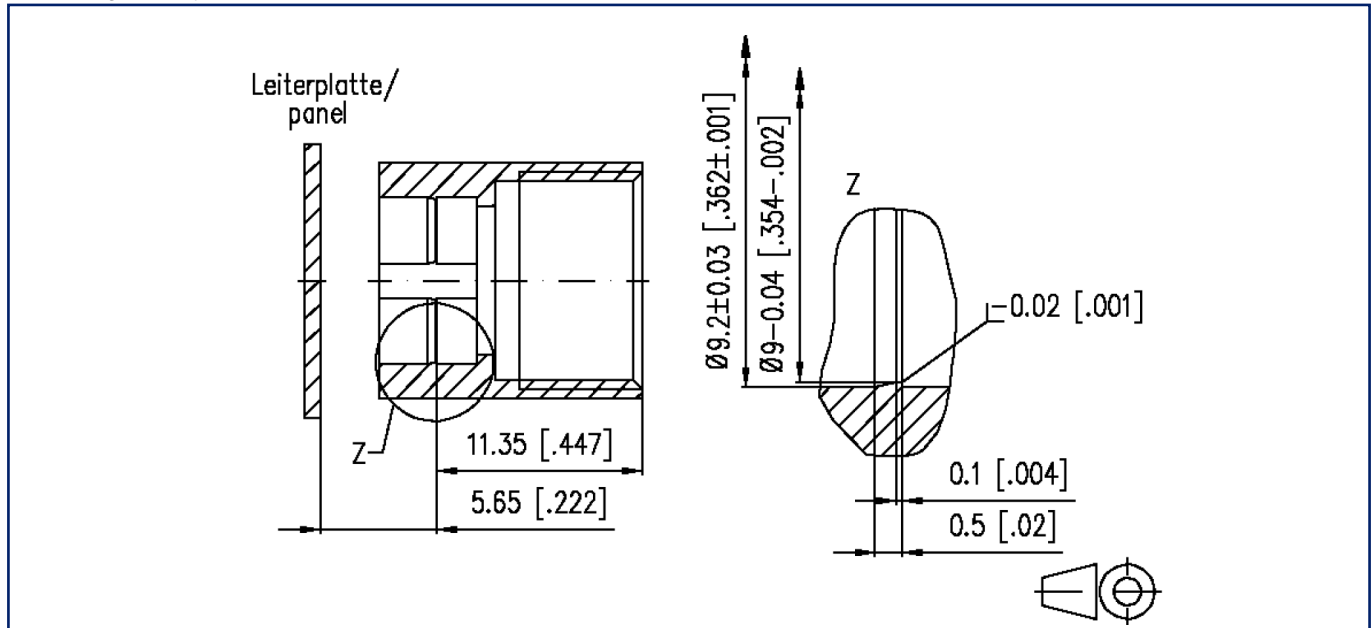


Drill pattern



**Illustrations**

Snap-in geometry



© 2022 METZ CONNECT - Technische Änderungen vorbehalten! Subject to modifications! Sous réserve de modifications techniques!