

4

3

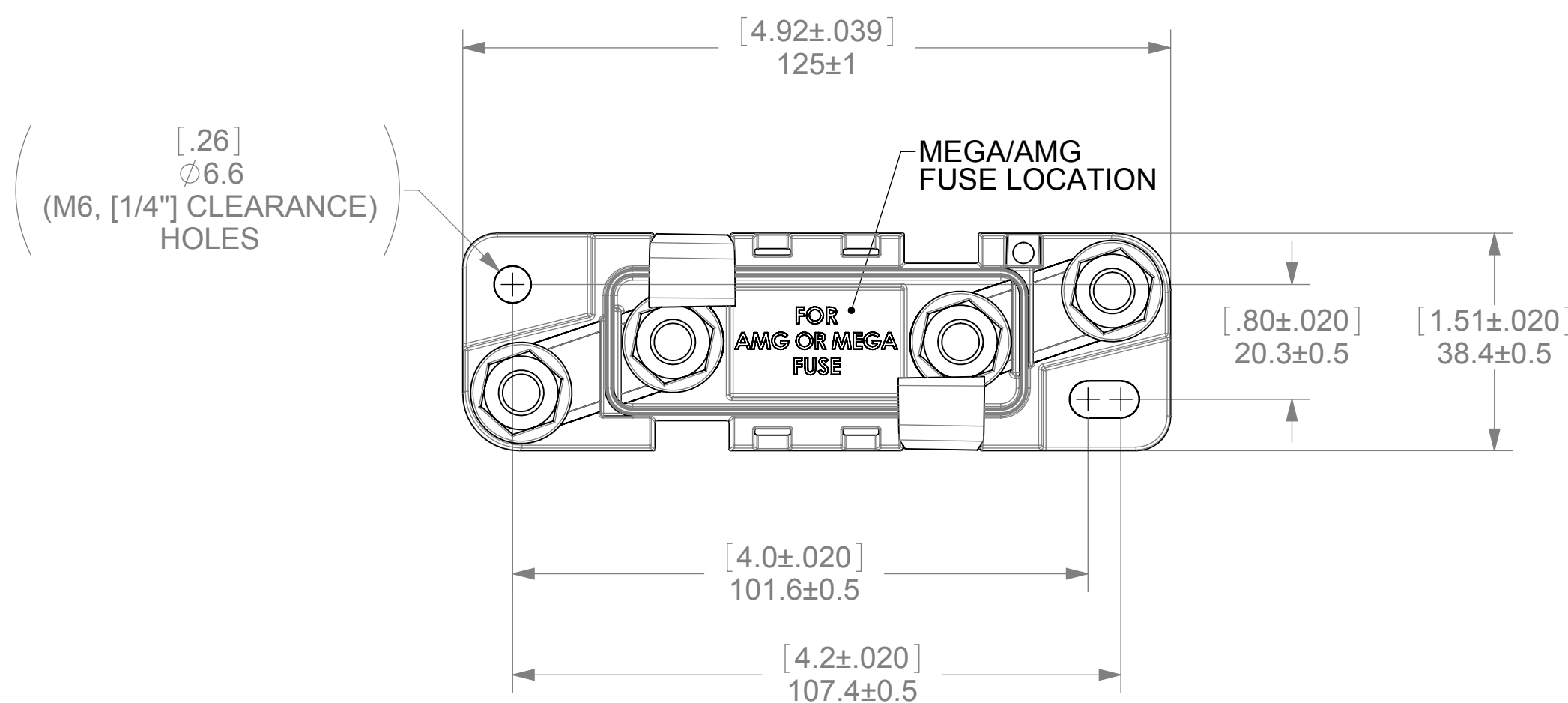
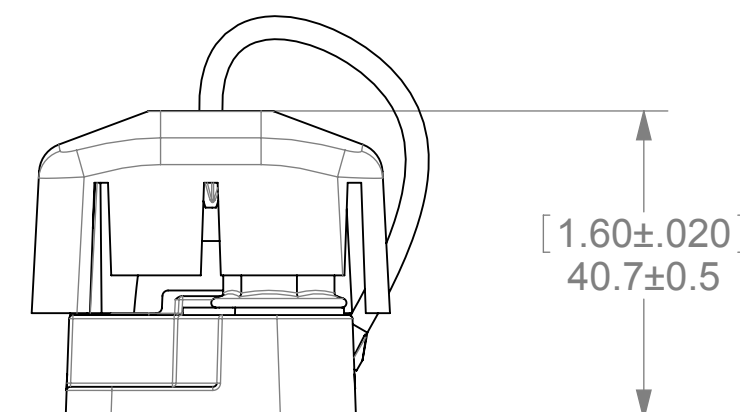
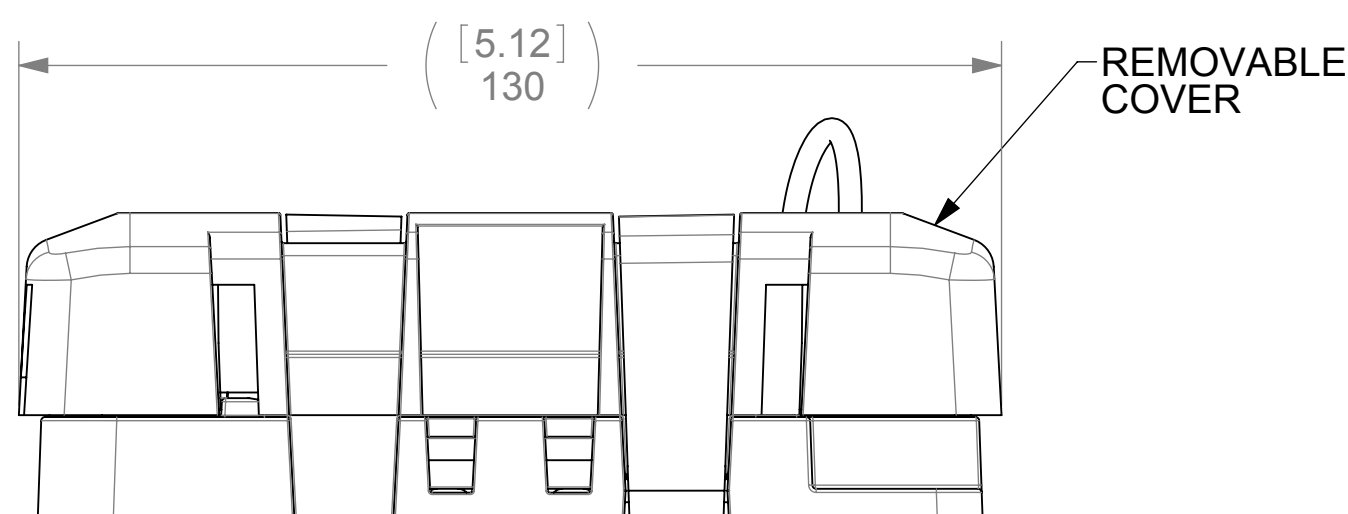
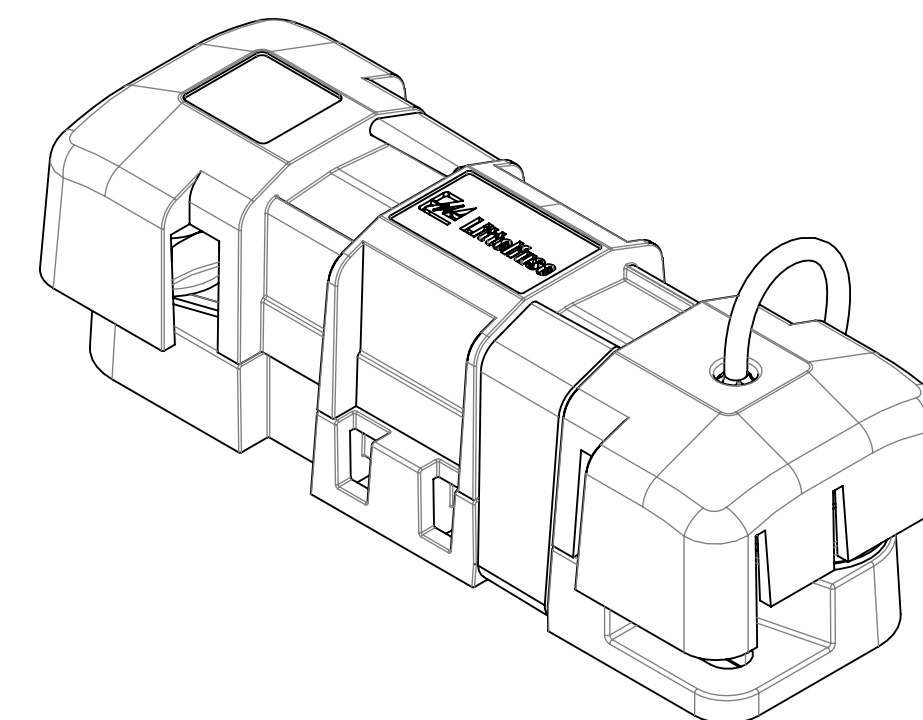
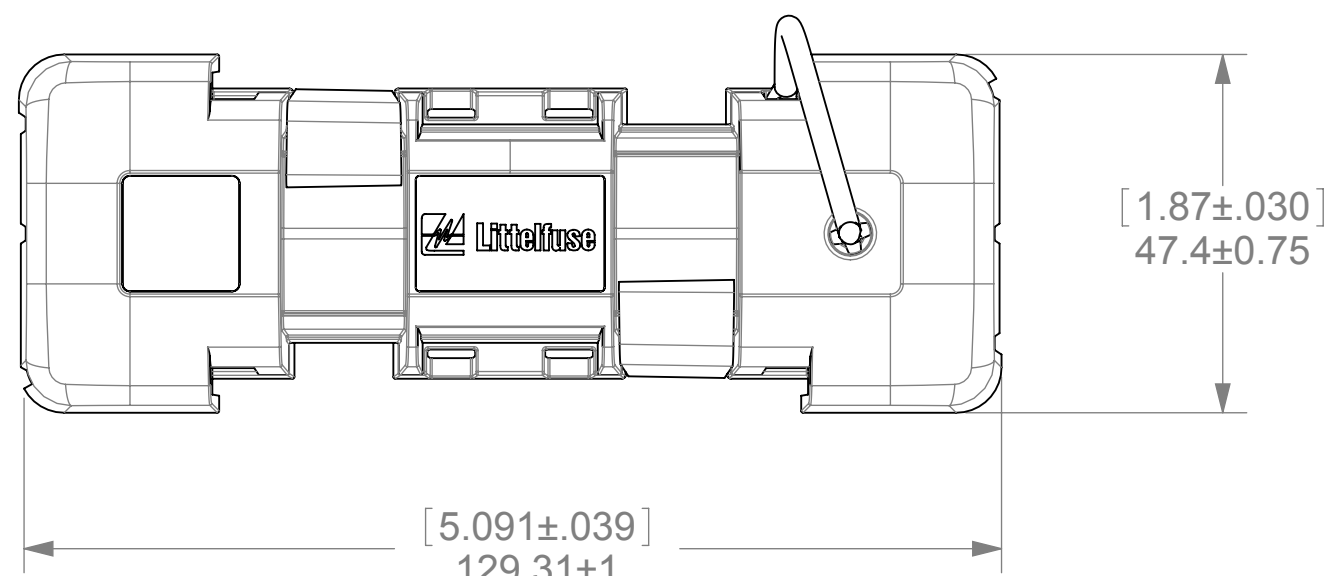
2

1

NOTES: (UNLESS OTHERWISE SPECIFIED)

- 1. ASSOCIATED CAD FILE DEFINES ALL NON-DIMENSIONED FEATURES.
- 2. PRODUCT WEIGHT: 0.18kg (0.4Lb)
- 3. RECOMMENDED STUD TORQUE: 20Nm (15Lb-ft)
- 4. MAXIMUM STUD TORQUE: 30 Nm (22Lb-ft)
- 5. CONSULT LITTELFUSE FOR CUSTOM FUSE LOADING VARIATIONS.

REVISIONS				
ZONE	REV.	DESCRIPTION	DATE	APPROVED
	A	PER ECH# 500000009472: INITIAL RELEASE	9/13/2013	V.BELOUS



TOP VIEW COVER REMOVED

DIMENSIONS ARE IN MM.

DIMENSIONS AND TOLERANCES ARE DEFINED ACCORDING TO ANSI / ASME Y14.5M-1994

THIS DRAWING AND THE INFORMATION CONTAINED WITHIN IT ARE CONFIDENTIAL AND MAY NOT BE COPIED OR DISCLOSED WITHOUT THE WRITTEN PERMISSION OF LITTELFUSE.

DRAWN	NAME	DATE
V.BELOUS		9/13/2013
CHECKED		

THIRD ANGLE PROJECTION



425 Sequoia Drive Bellingham, WA 98226  
Phone (360)738-9010 Fax (360)738-0372

880014 OL DRAWING FUSE BLOCK  
SEALED MEGA-AMG  
Part Number: 880014

SIZE	DWG. NO.	REV.
C	OL-880014	A

SCALE 1:1 SHEET 1 OF 1