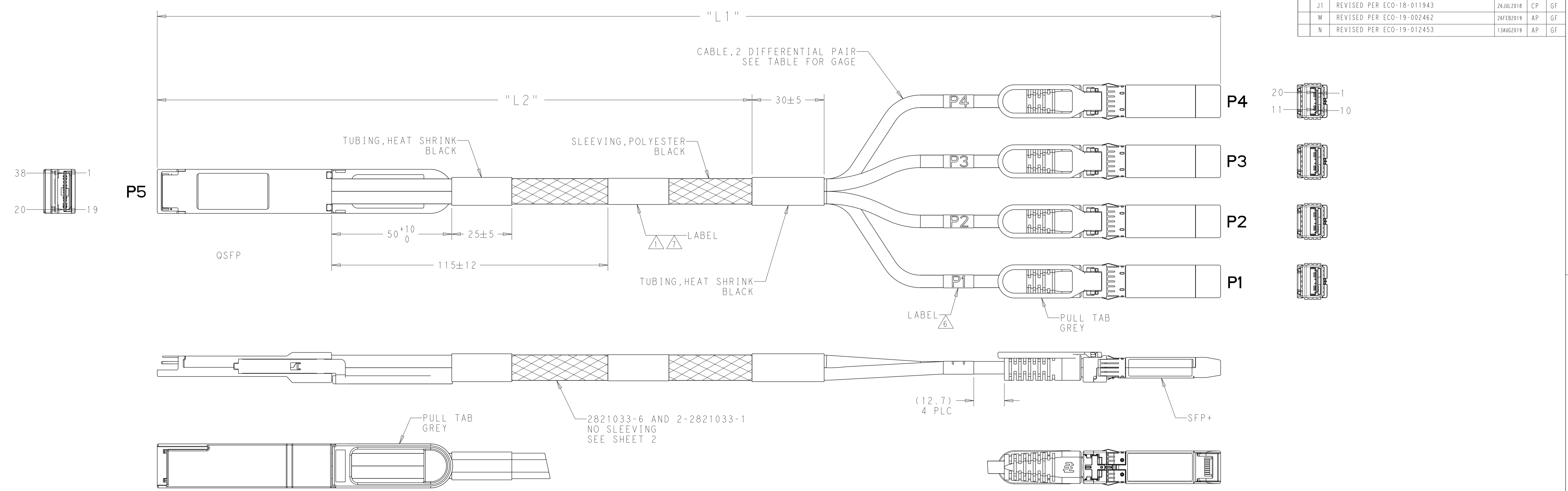
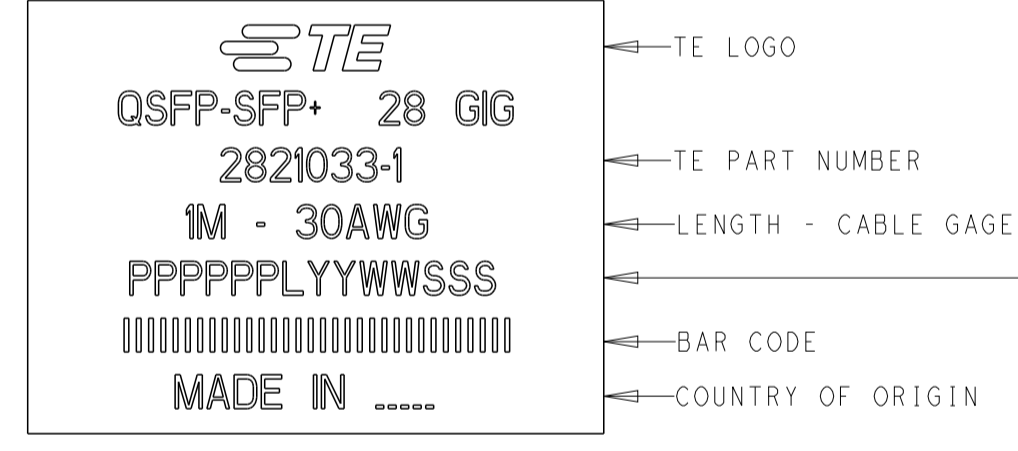


REVISIONS				
P	LTN	DESCRIPTION	DATE	APVD
J		REDRAWN PER ECO-17-003216	07MAR2017	TS EC
J1		REVISED PER ECO-18-011943	26JUL2018	CP GF
M		REVISED PER ECO-19-002462	26FEB2019	AP GF
N		REVISED PER ECO-19-012453	13AUG2019	AP GF



△ LABEL INFORMATION: -1 SHOWN.



SERIAL NUMBER:  
 P P P P P - 6-DIGIT, BASE 34, ALPHANUMERIC CHARACTERS (EXCLUDES I AND O)  
 L = MANUFACTURING LOCATION CODE  
 Y Y W W = DATE CODE, 2-DIGIT YEAR, 2-DIGIT WEEK  
 S S S = 3-DIGIT, BASE 34, SERIAL ALPHANUMERIC CHARACTERS (EXCLUDES I AND O)

- SEE SHEET 2 FOR WIRING SCHEMATIC.
- PRODUCT AND PROCESSING MEETS THE REQUIREMENTS OF TE SPECIFICATION TEC-138-702 (CONTAINS NO BANNED OR RESTRICTED SUBSTANCES).
- CABLE ASSEMBLY TO BE TESTED FOR OPENS, SHORTS AND PROPER EEPROM PROGRAM.

△ DUE TO SHORT CABLE LENGTH, THE PART NUMBERS INDICATED MAY NOT MEET IEEE802.3bj. RETURN LOSS AND MINIMUM INSERTION LOSS LIMITS.

△ LABEL INFORMATION: P1 SHOWN



△ SEE SHEET 2 FOR 2821033-6 AND 2-2821033-1 LABEL PLACEMENT.

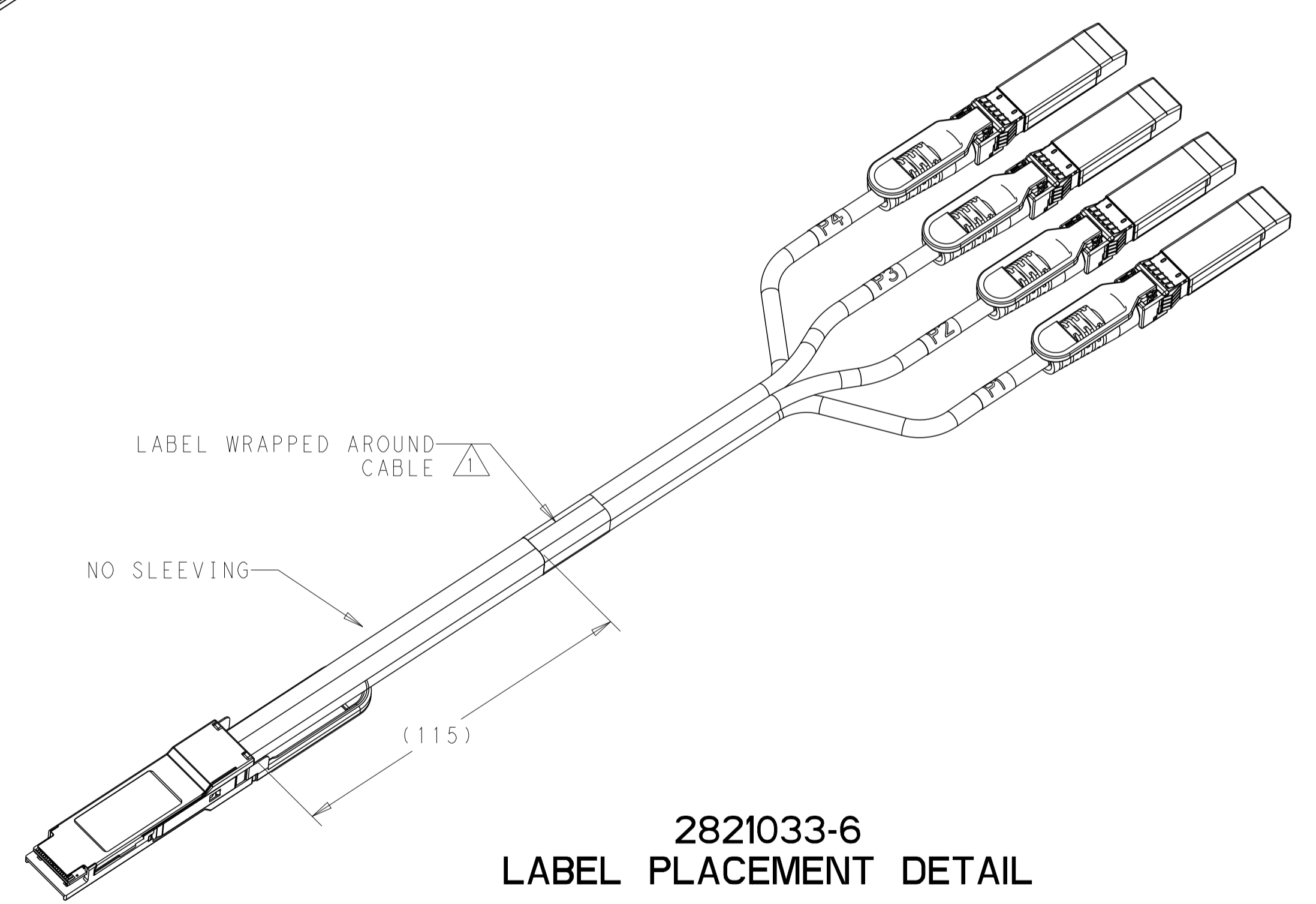
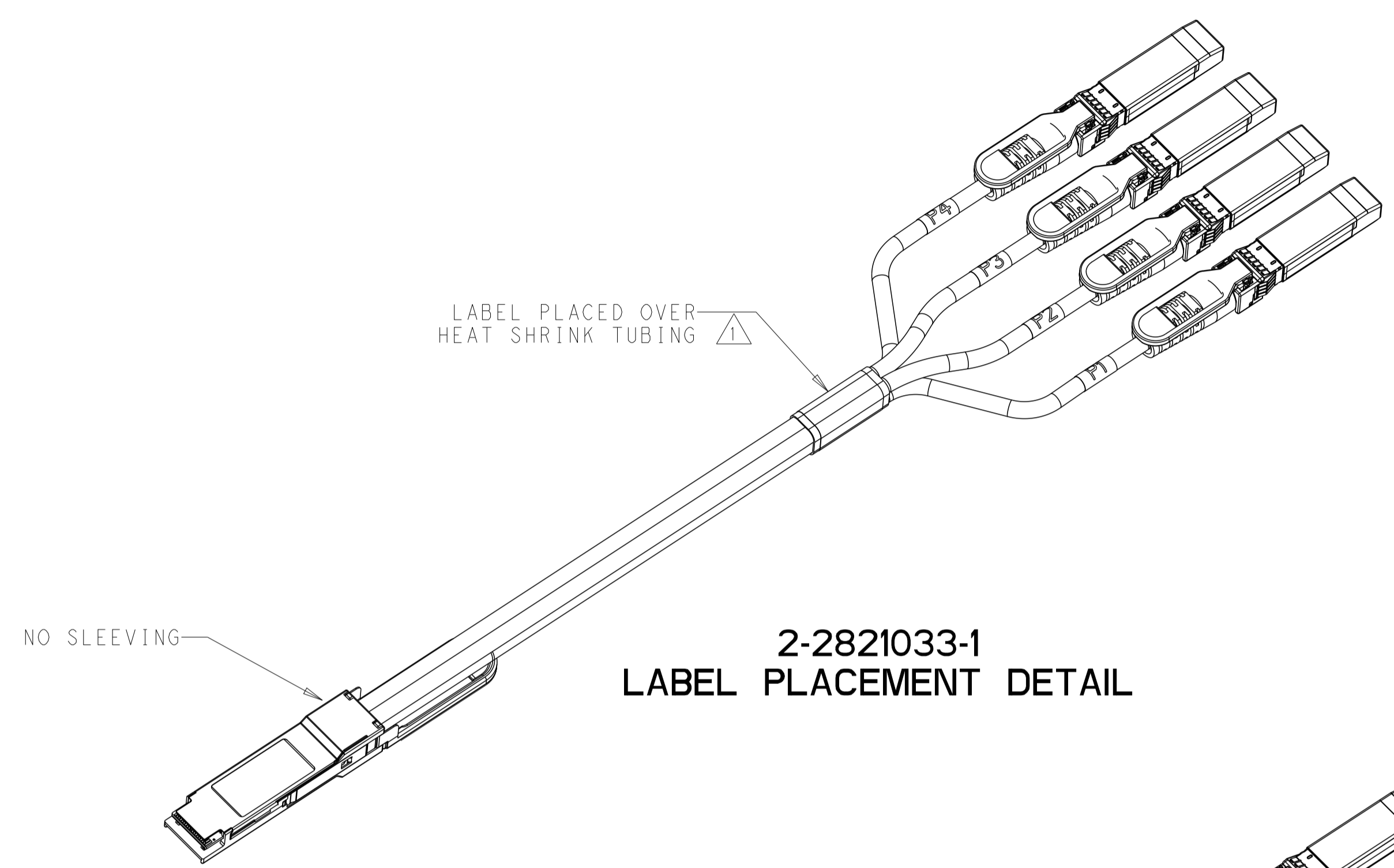
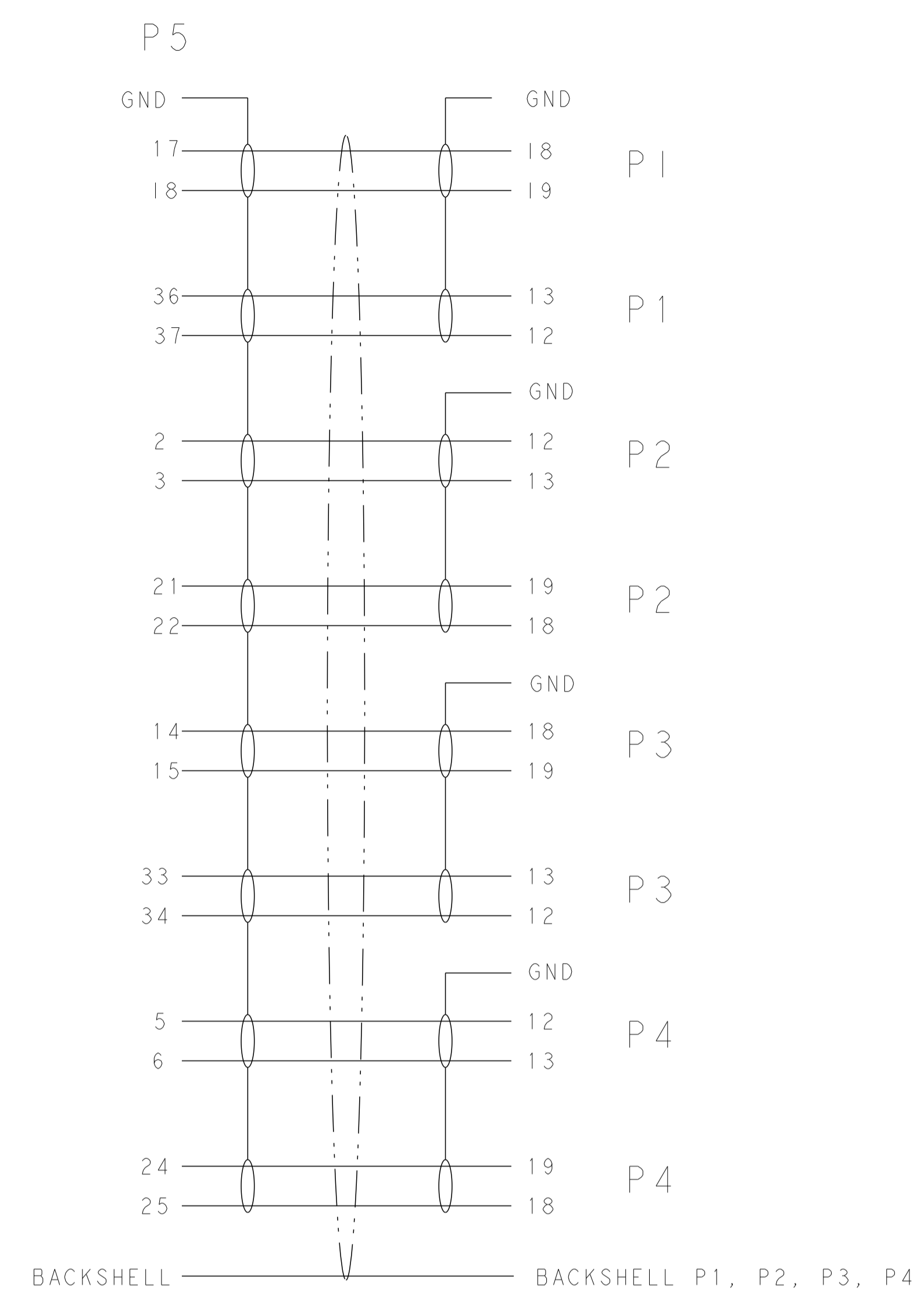
GAGE	"L2"	"L1"	PART NO
30	120 ±12	500 +50/-0	2-2821033-1
30	1500 ±25	3500 +80/-0	2-2821033-0
28	1500 ±25	3500 +80/-0	1-2821033-9
30	1000 ±25	2500 +80/-0	1-2821033-8
24	2000 ±25	5000 +80/-0	1-2821033-6
26	1000 ±25	3000 +80/-0	1-2821033-2
24	2000 ±25	6000 +80/-0	1-2821033-1
30	700 ±25	2000 +80/-0	1-2821033-0
30	500 ±25	1500 +50/-0	2821033-9
33	330 ±25	1000 +50/-0	2821033-8
33	500 ±25	1500 +50/-0	2821033-7
33		500 +50/-0	2821033-6
26	1500 ±25	4000 +80/-0	2821033-5
28	1000 ±25	3000 +80/-0	2821033-4
26	2000 ±25	5000 +80/-0	2821033-3
30	1000 ±25	3000 +80/-0	2821033-2
30	330 ±25	1000 +50/-0	2821033-1

THIS DRAWING IS A CONTROLLED DOCUMENT.

DIMENSIONS:	TOLERANCES UNLESS OTHERWISE SPECIFIED:	APVD	NAME
mm	0 PLC ±	E. CUESTA	CABLE ASSEMBLY, OSFP28 TO (4) SFP+
	1 PLC ±		
	2 PLC ±		
	3 PLC ±		
	4 PLC ±		
	ANGLES ±		
MATERIAL	FINISH	WEIGHT	RESTRICTED TO
			A1

SCALE 5:4 SHEET 1 OF 2 REV N

REVISIONS				
P	LTN	DESCRIPTION	DATE	APVD
-	-	SEE SHEET 1	-	-



THIS DRAWING IS A CONTROLLED DOCUMENT.		OWN T. SMITH 02MAR2017	<b>TE</b> TE Connectivity
DIMENSIONS: mm		CHK E. CUESTA 02MAR2017	
TOLERANCES UNLESS OTHERWISE SPECIFIED:		APVD E. CUESTA 02MAR2017	NAME CABLE ASSEMBLY, QSFP28 TO (4) SFP+
0 PLC ±	1 PLC ±	PRODUCT SPEC	SIZE A1
2 PLC ±	3 PLC ±	APPLICATION SPEC	CAGE CODE -
4 PLC ±	ANGLES ±	WEIGHT -	DRAWING NO. C=2821033
MATERIAL -	FINISH -	CUSTOMER DRAWING	RESTRICTED TO
		SCALE 3:2	SHEET 2 OF 2
		REV N	