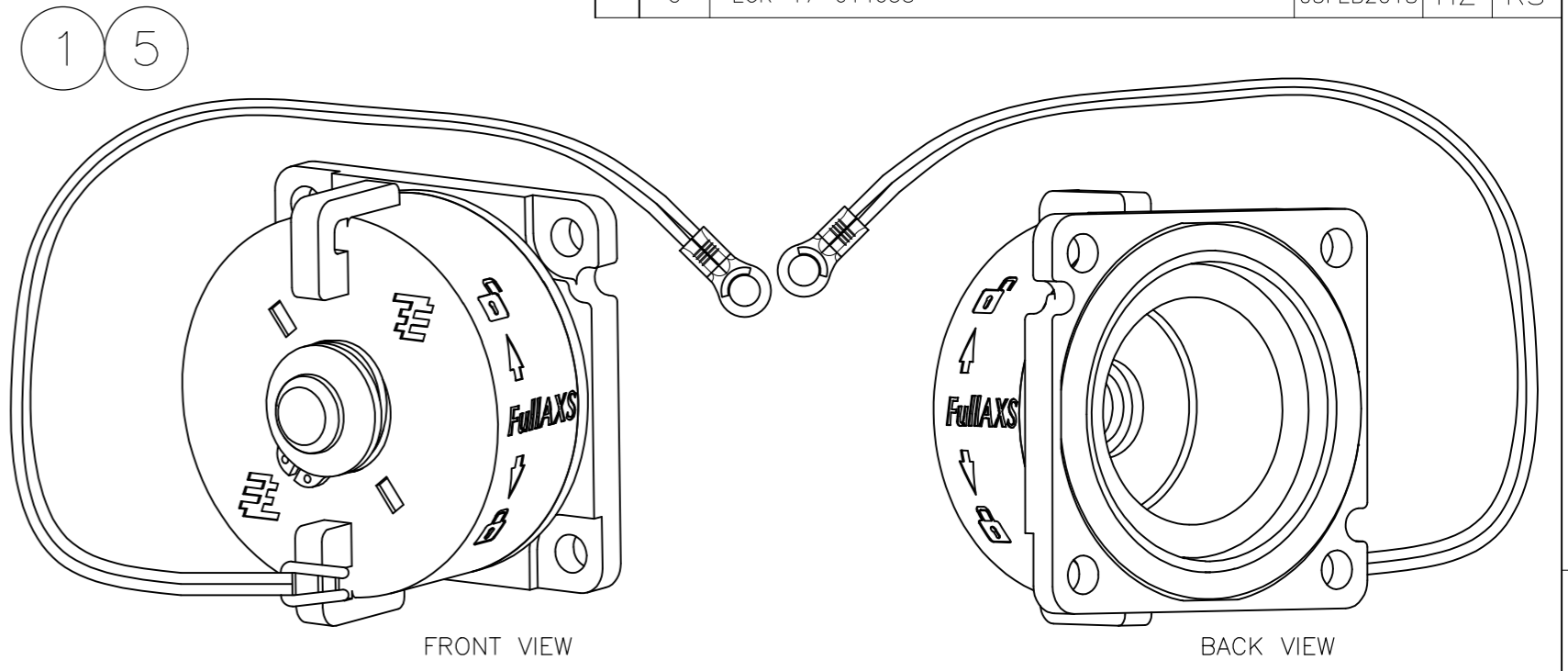
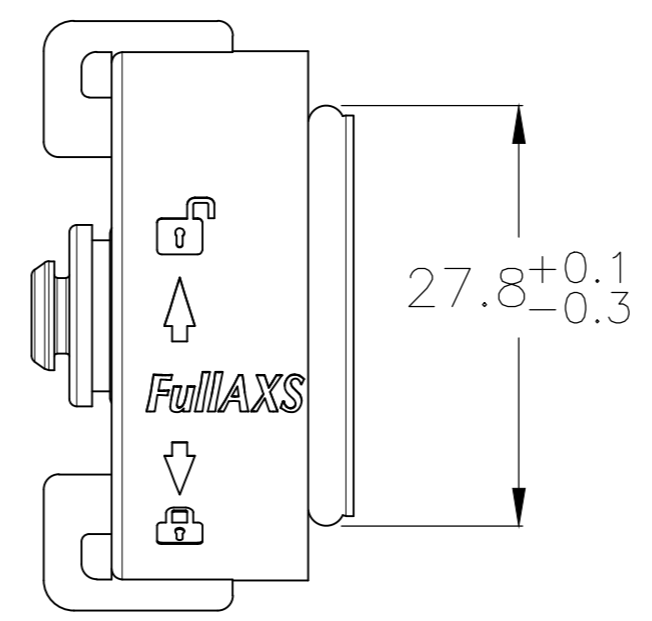
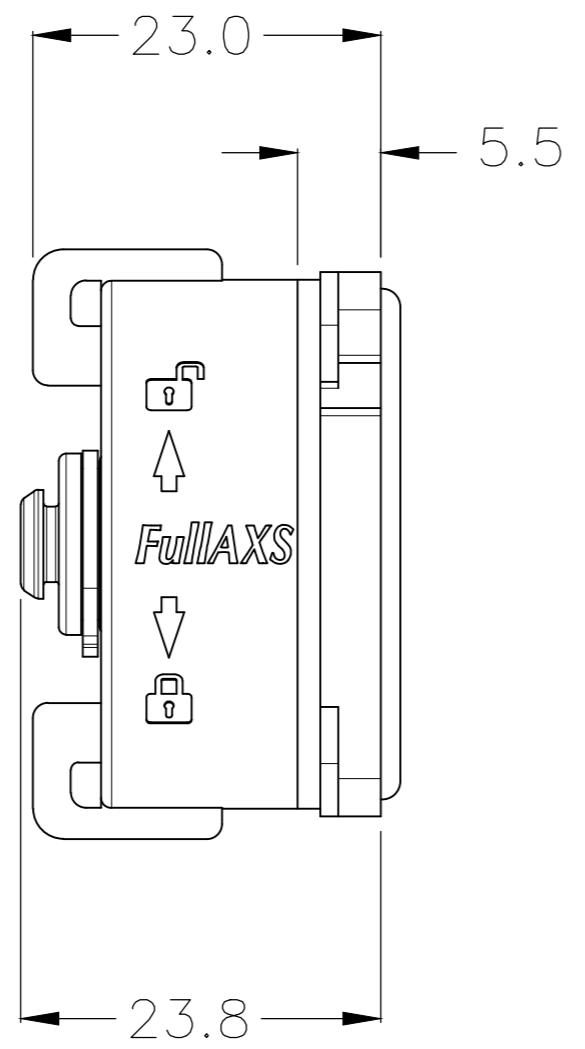
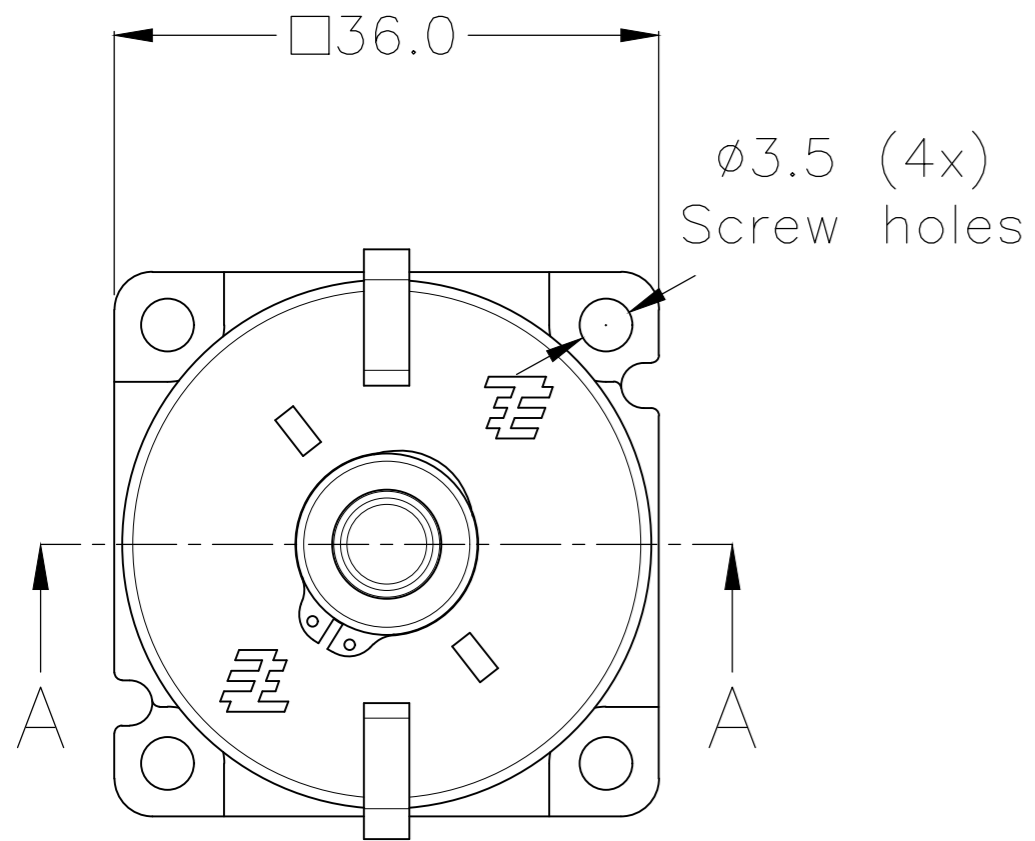
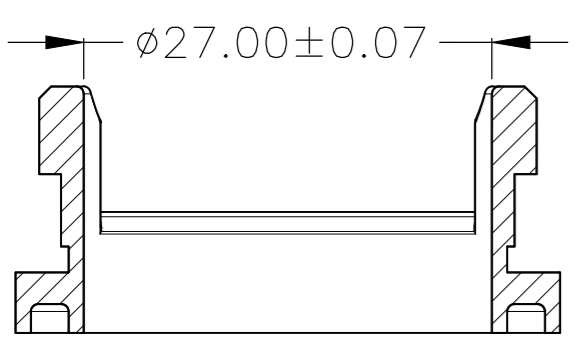


THIS DRAWING IS UNPUBLISHED. RELEASED FOR PUBLICATION
 © COPYRIGHT - By - ALL RIGHTS RESERVED.

REVISIONS				
P	LTR	DESCRIPTION	DATE	APVD
C		ECR-17-014058	05FEB2018	HZ RS

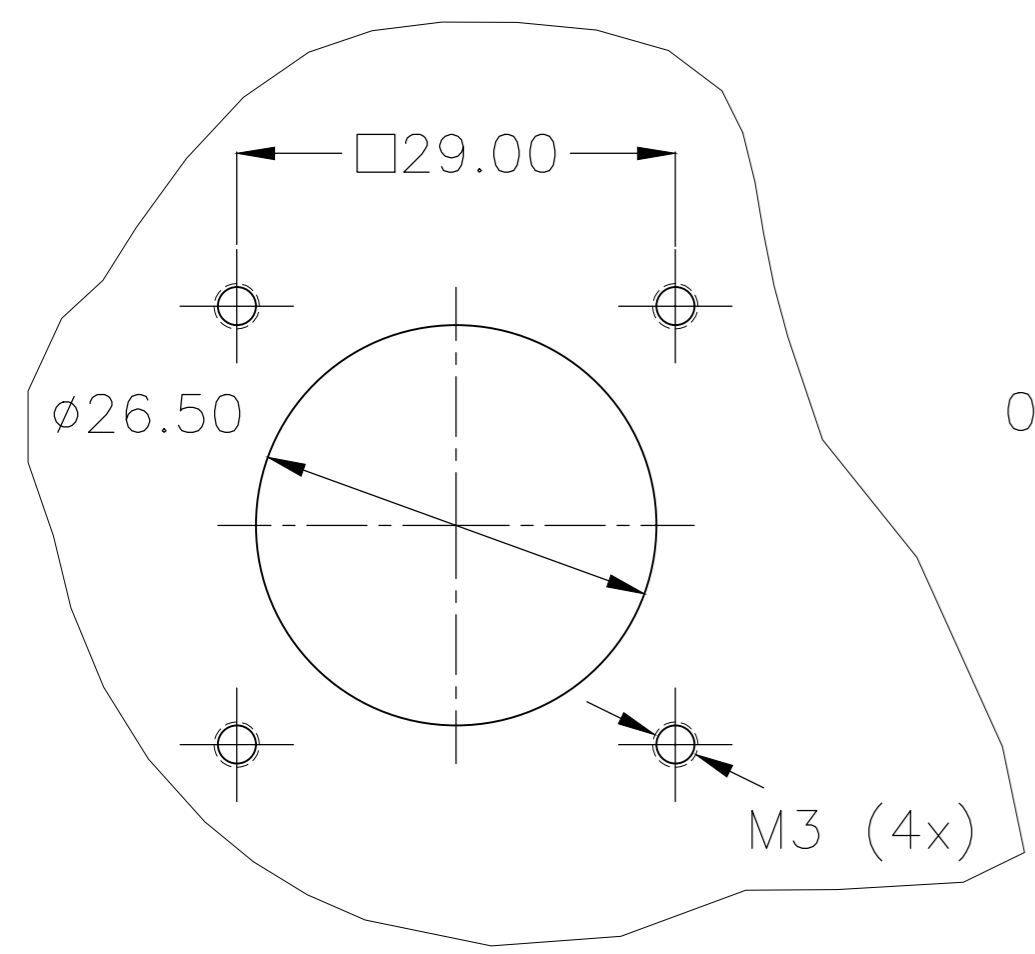
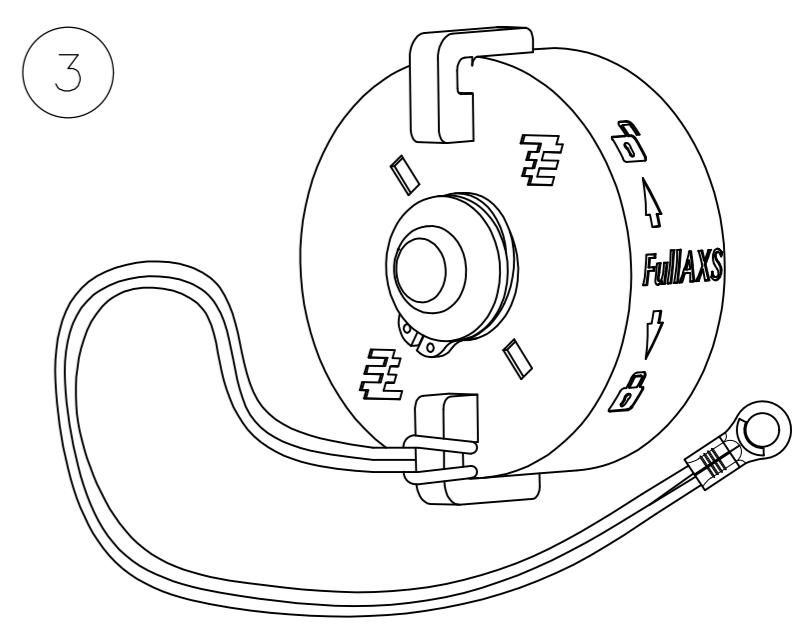
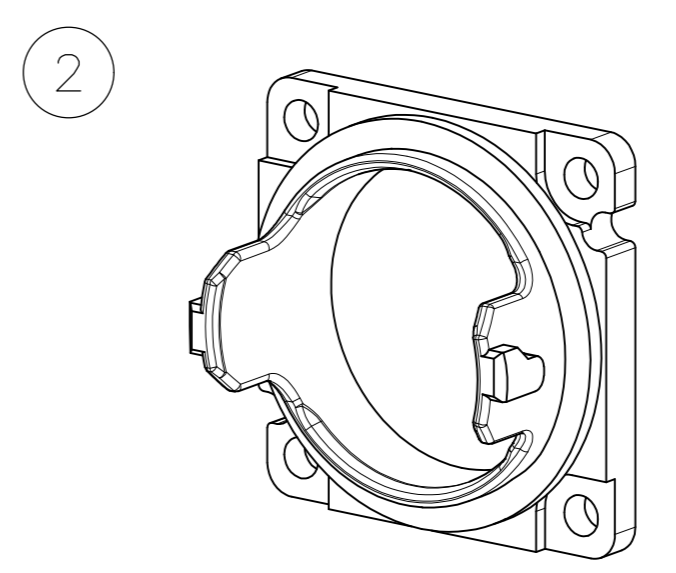


ASSEMBLED 2061433-1
(cord not shown)

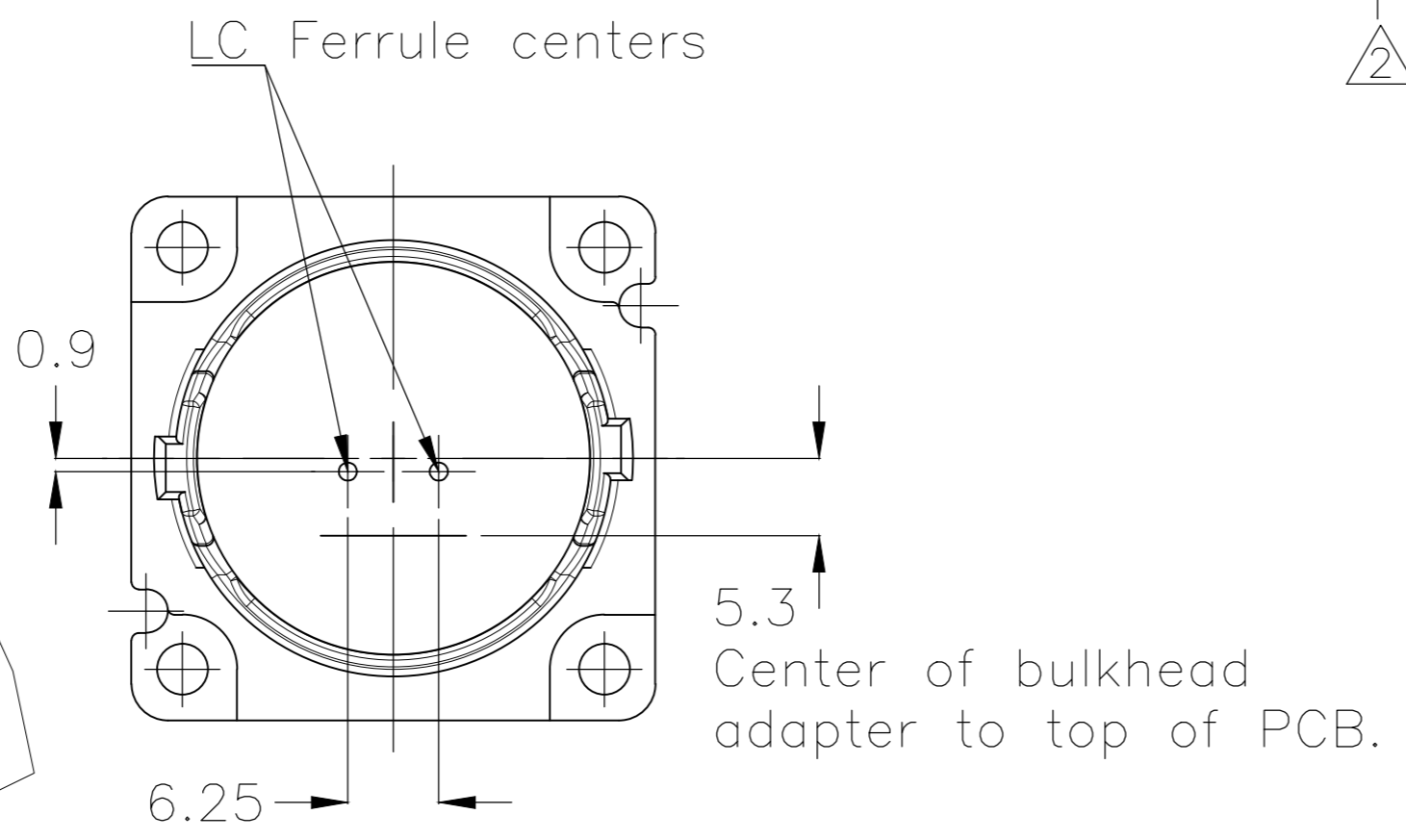


SECTION A-A
(Cap not shown)

FULLAXS BULKHEAD CAP
(Housing not shown)



Recommended panel cutout
for the assembly and housing



NOTE:

- 1 SHOWN DIMENSIONS ARE FOR REFERENCE ONLY
- 2 THE CLIP ON CAP CAN PASS 24DAYS CORROSION TEST (INCLUDE 14 DAYS SALT SPRAY AND 10DAYS MOIST SO₂ EXPOSURE)

ITEM	TE PART NUMBER	DESCRIPTION
1	2061433-1	FOKIT FULLAXS BULKHEAD ASSEMBLY
2	2061433-2	FOAC FULLAXS BULKHEAD HOUSING
3	2061433-3	FOAC FULLAXS BULKHEAD CAP
4	2061433-4	FOAC FULLAXS BULKHEAD CAP STRAP
5	2061433-5	FOKIT FULLAXS BULKHEAD ASSEMBLY

THIS DRAWING IS A CONTROLLED DOCUMENT.		DWN R. COOLEN 10JUN2010		
DIMENSIONS: mm		CHK M. SCHOLTEN 17MAY2013		
TOLERANCES UNLESS OTHERWISE SPECIFIED:		APVD A. HENGELMOLEN 17MAY2013	NAME	
0 PLC ± -		PRODUCT SPEC		FOKIT FULLAXS BULKHEAD ASSEMBLY
1 PLC ± -		APPLICATION SPEC		
2 PLC ± -		WEIGHT 0.000000		SIZE A2
3 PLC ± -		CAGE CODE 00779		DRAWING NO. C=2061433
4 PLC ± -		CUSTOMER DRAWING		RESTRICTED TO -
ANGLES ± -		SCALE NTS		SHEET 1 OF 1
FINISH -		REV C		