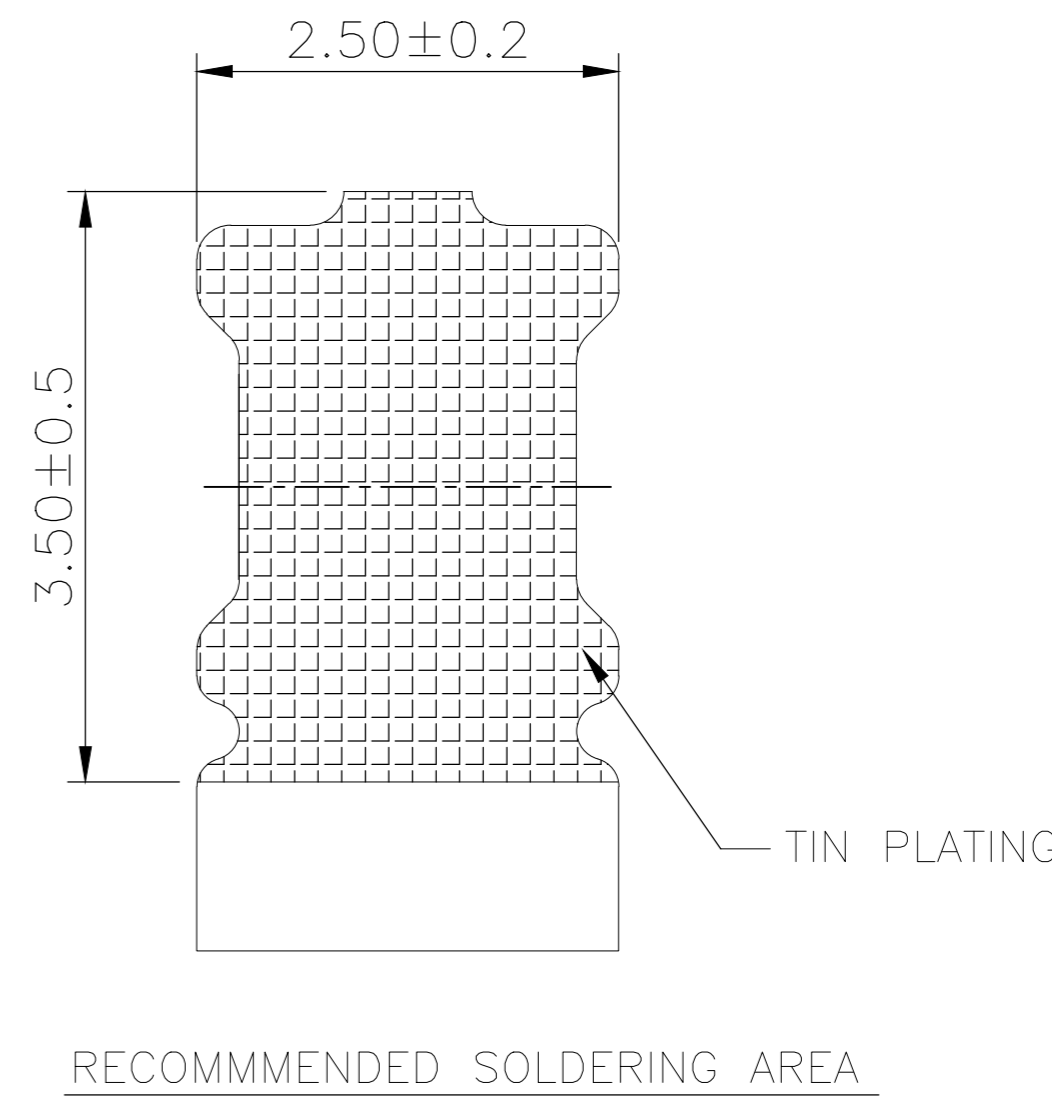
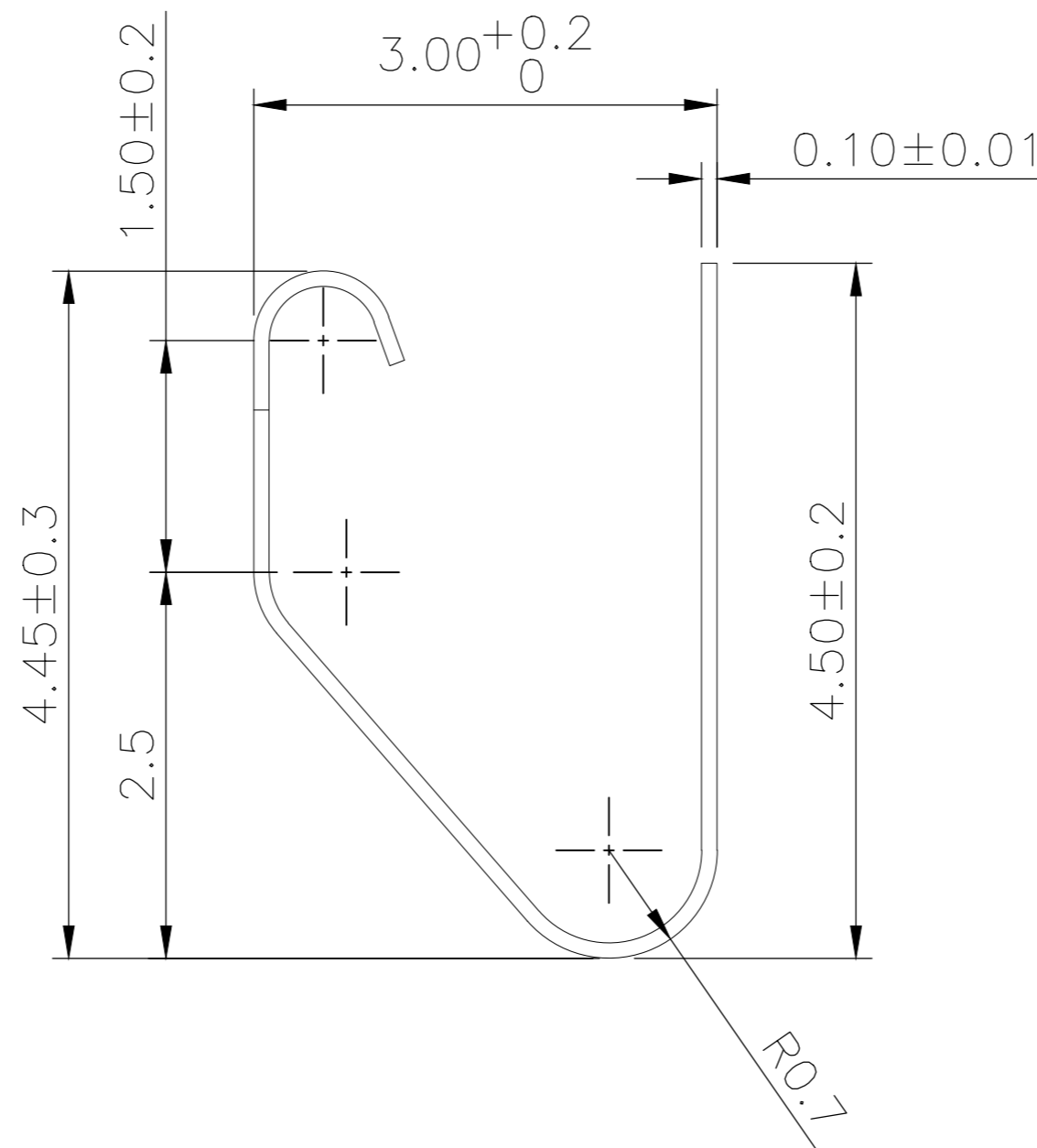
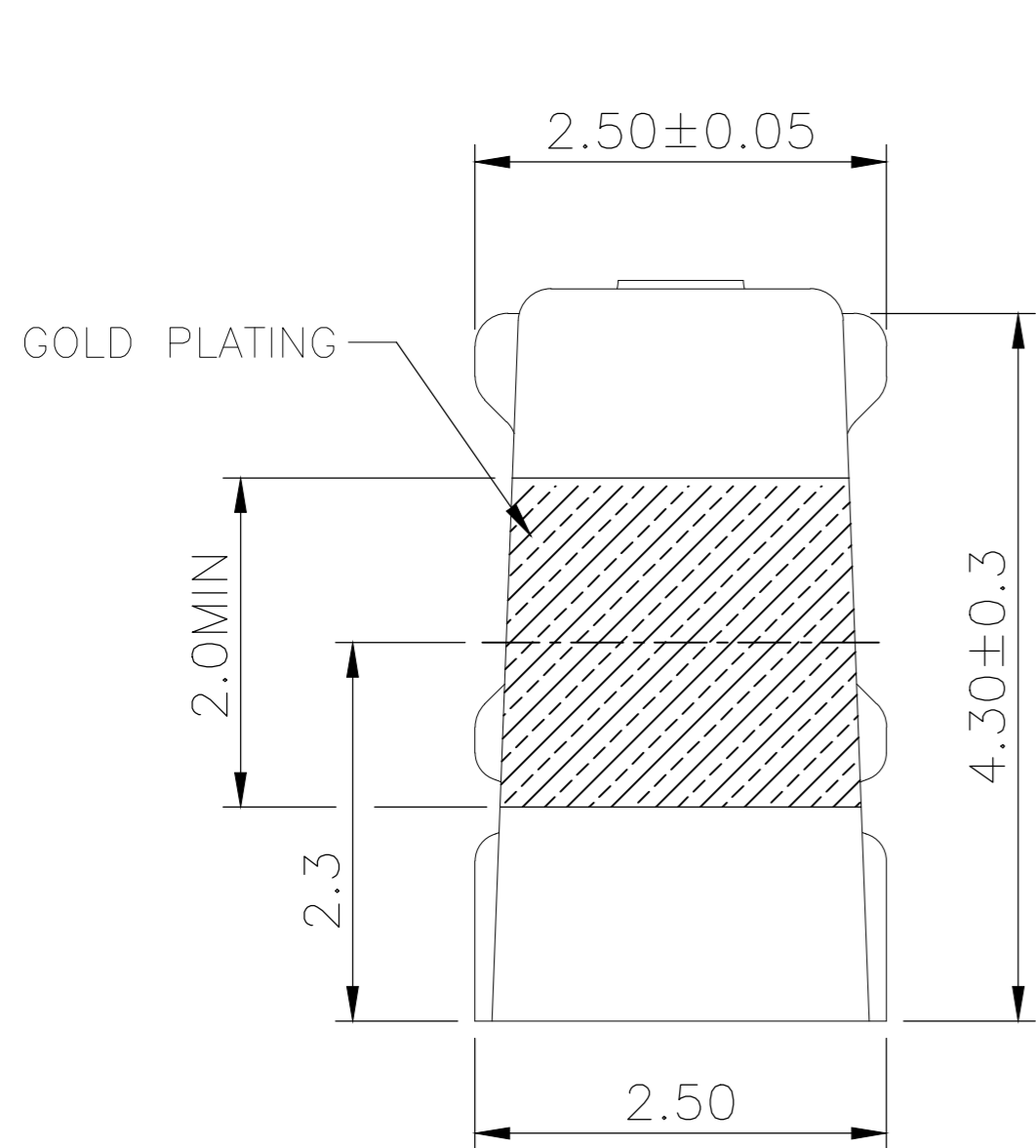


THIS DRAWING IS UNPUBLISHED. RELEASED FOR PUBLICATION

© COPYRIGHT 2011 BY TYCO ELECTRONICS CORPORATION. ALL RIGHTS RESERVED.

LOC		DIST		REVISIONS			
P	LTR	DESCRIPTION		DATE	DWN	APVD	
	B1	RELEASED ECR-16-010532		21JAN2016	J.J	W.H	

- NOTES:
- MATERIAL: TI-CU, T=0.10±0.01
 - FINISH: CONTACT: GOLD PLATING ON THE CONTACT (SEE TABLE)
100u' MIN TIN PLATING ON THE SOLDERING AREA
NICKEL UNDER PLATING OVERALL (SEE TABLE)



50u"	10u"	1734300-3
30u"	10u"	1734300-2
30u"	2u"	1734300-1
Ni (Min.)	Au (Min.)	PART NUMBER

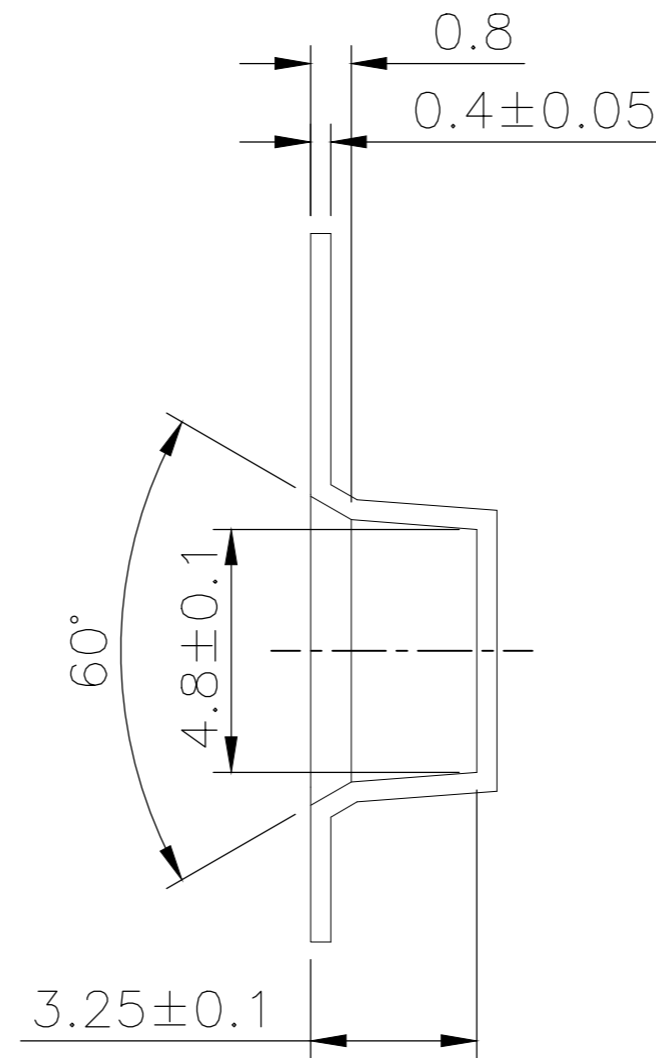
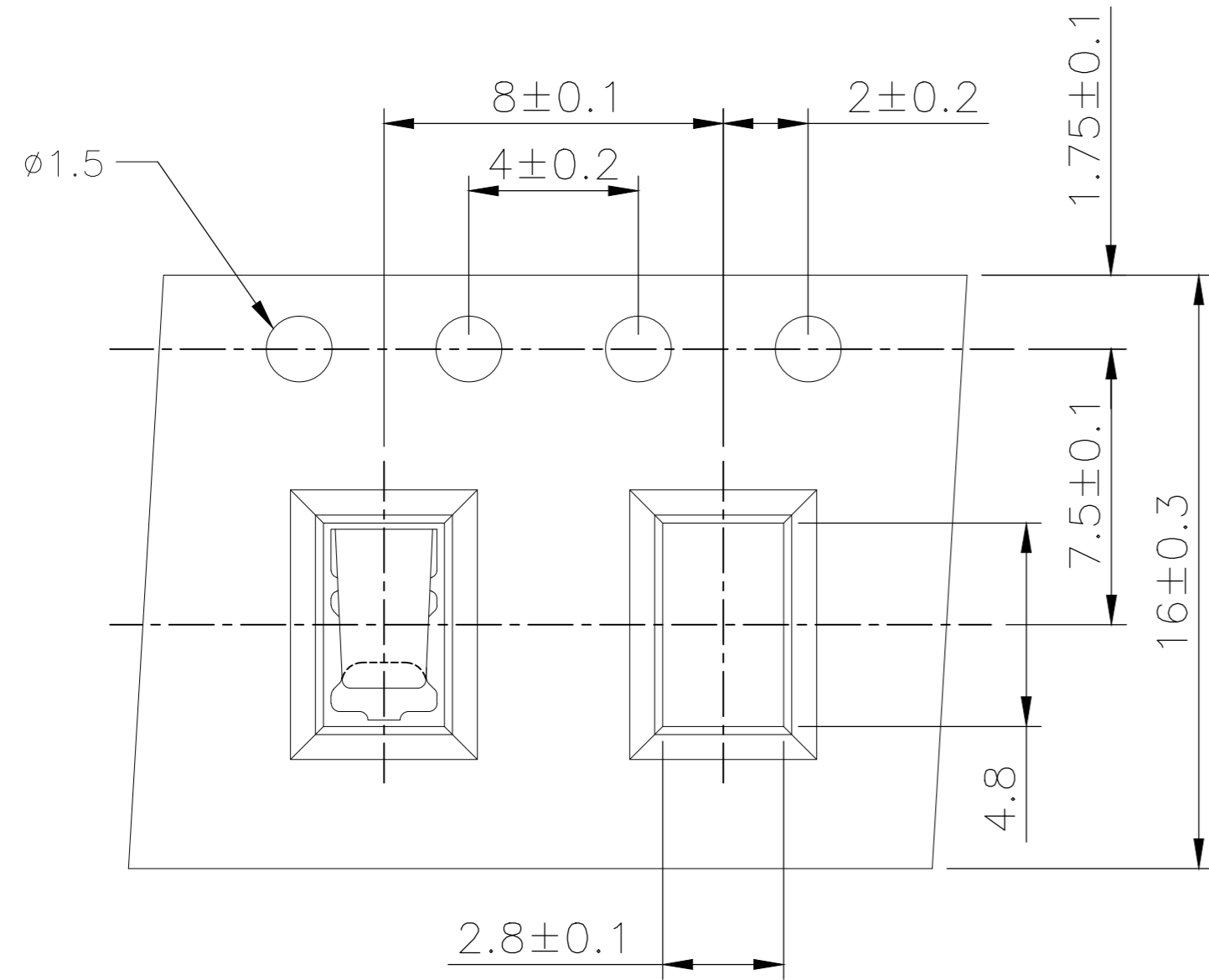
THIS DRAWING IS A CONTROLLED DOCUMENT.		DWN Q. LU 26DEC2004	STE TE Connectivity		
DIMENSIONS: mm		CHK S. HSU 26DEC2004			
TOLERANCES UNLESS OTHERWISE SPECIFIED: 0 PLC ± - 1 PLC ± 0.3 2 PLC ± 0.15 3 PLC ± 0.03 4 PLC ± - ANGLES ± 3°		APVD W.J. KE 26DEC2004	NAME SHIELD FINGER 3025-Z1-T		
MATERIAL SEE NOTE		PRODUCT SPEC 108-57507	SIZE A3	CAGE CODE 00779	DRAWING NO C=1734300
FINISH SEE NOTE		QUALIFICATION TEST REPORT 501-57581	RESTRICTED TO	SCALE -	
		WEIGHT 0.021 GRAMS	SHEET 1 OF 2		REV B1
		CUSTOMER DRAWING			

THIS DRAWING IS UNPUBLISHED.

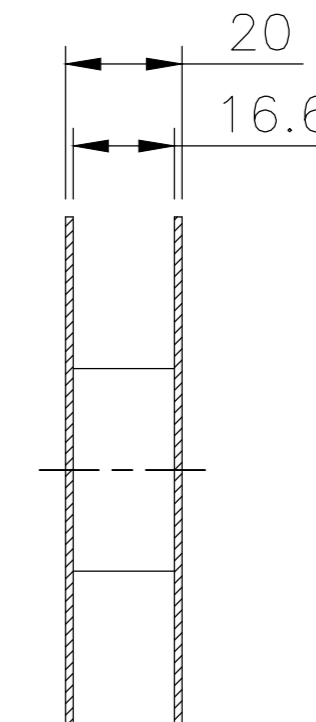
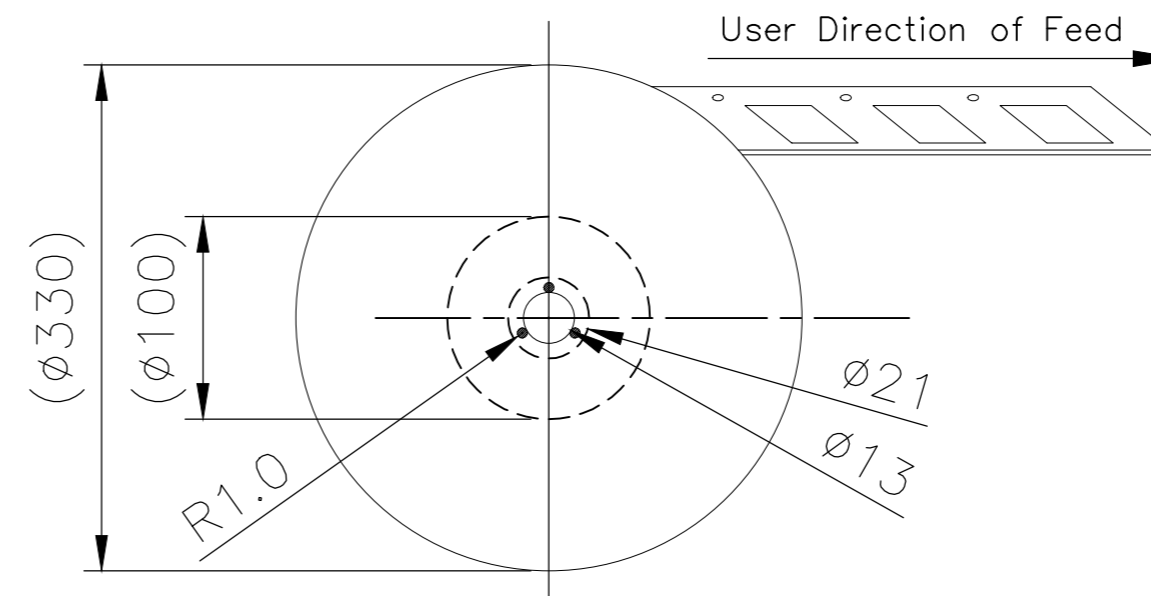
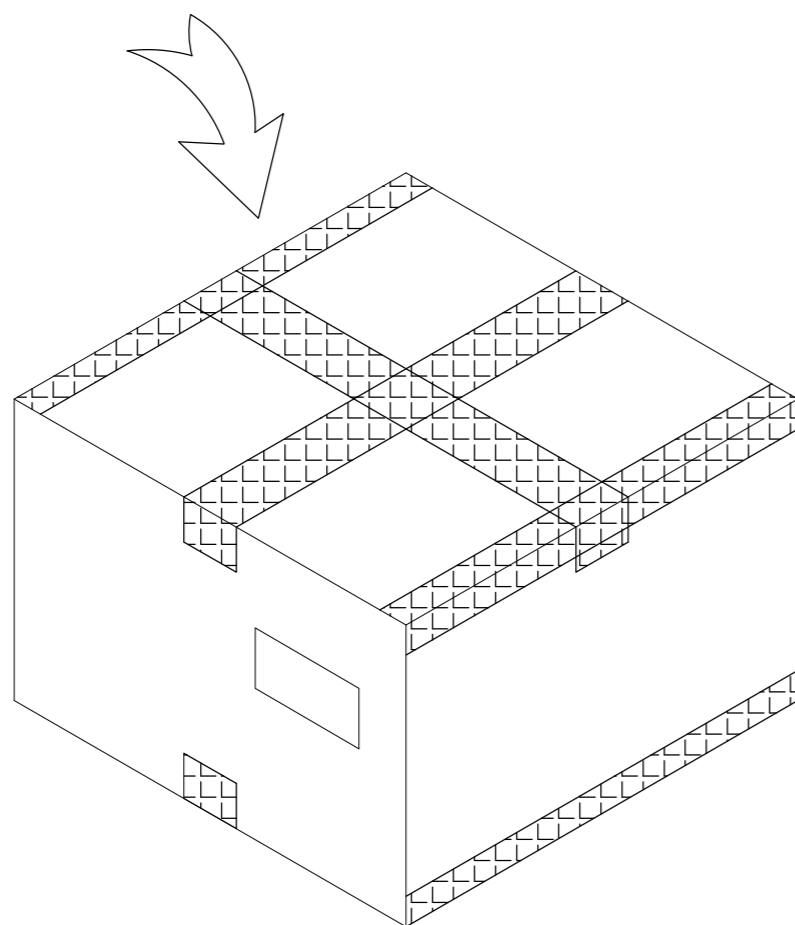
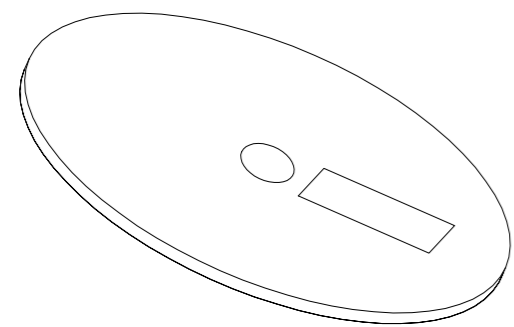
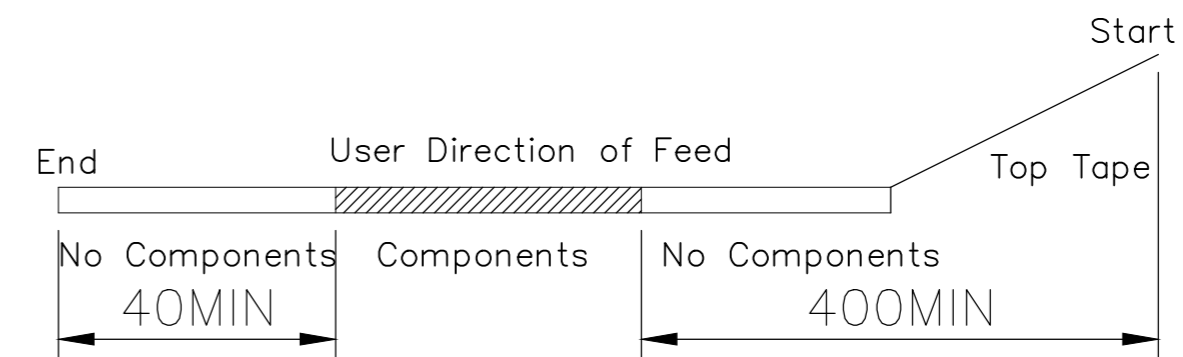
RELEASED FOR PUBLICATION AUG 2006

© COPYRIGHT BY TYCO ELECTRONICS CORPORATION. ALL RIGHTS RESERVED.

LOC DW	DIST	REVISIONS			
P	LTR	DESCRIPTION	DATE	DWN	APVD
		SEE SHEET 1.			



- NOTES:
- QUANTITY:
2500 PCS/REEL
10 REEL/SHIPPING BOX MAX.
 - DIMENSION:
BOX DIM: 340mm*340mm*224mm
 - MATERIAL:
CARRIER TAPE: ACRYLIC FILM
TOP TAPE: PET FILM
REEL: PLASTIC
 - WEIGHT:
NET WEIGHT: 3.3kg
GROSS WEIGHT: 4.8kg



THIS DRAWING IS A CONTROLLED DOCUMENT		DWN	TE Connectivity		
DIMENSIONS: MM		CHK	NAME		
		APVD	SHIELD FINGER 3025-Z1-T		
TOLERANCES UNLESS OTHERWISE SPECIFIED:		PRODUCT SPEC	SIZE	CAGE CODE	DRAWING NO
0 PLC ± -	1 PLC ± 0.12	APPLICATION SPEC	A3	00779	C=1734300
2 PLC ± -	3 PLC ± -	WEIGHT	RESTRICTED TO		
4 PLC ± -	ANGLES ± -	CUSTOMER DRAWING	SCALE	SHEET	REV
MATERIAL	FINISH		-	2 OF 2	B1