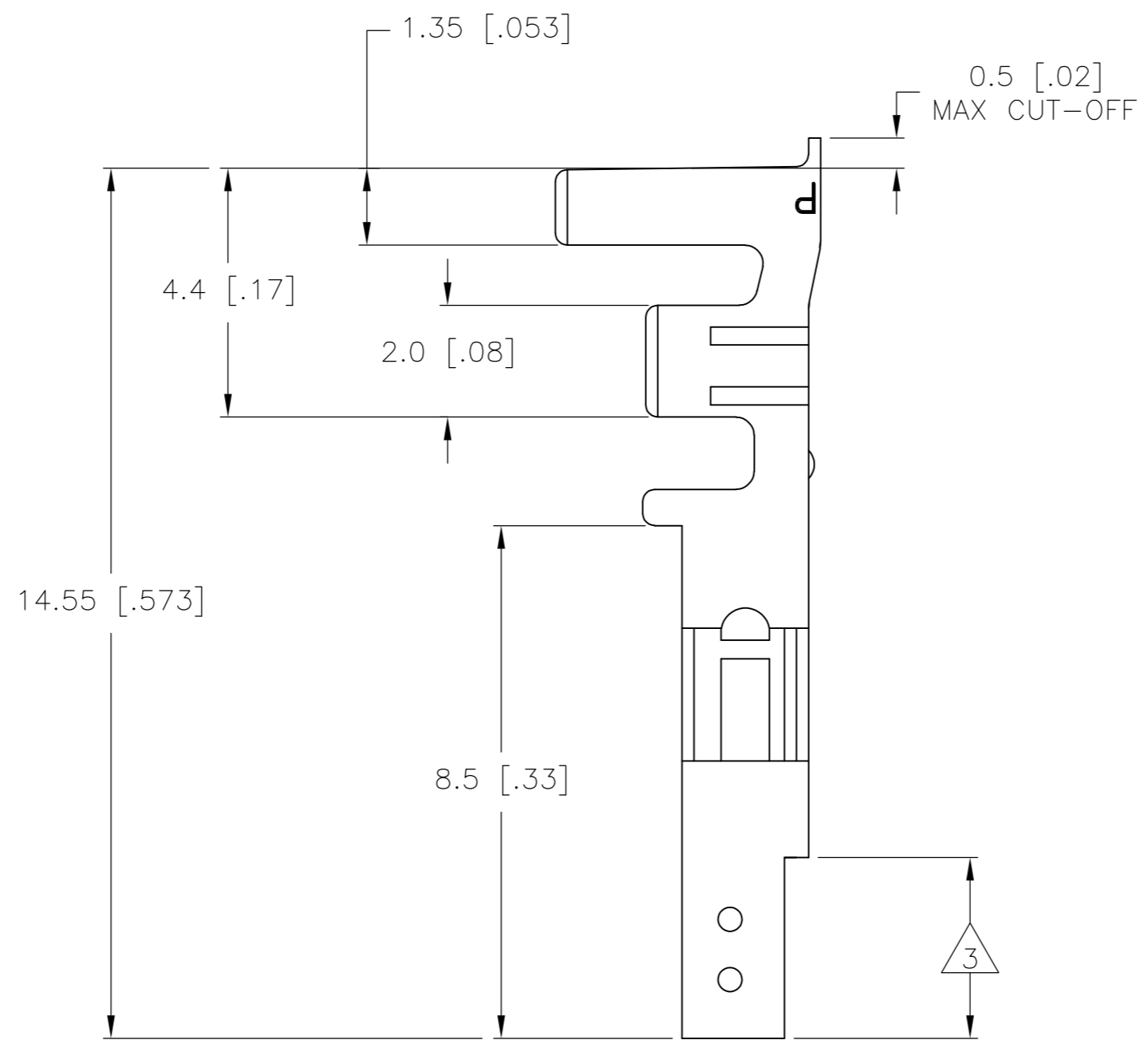
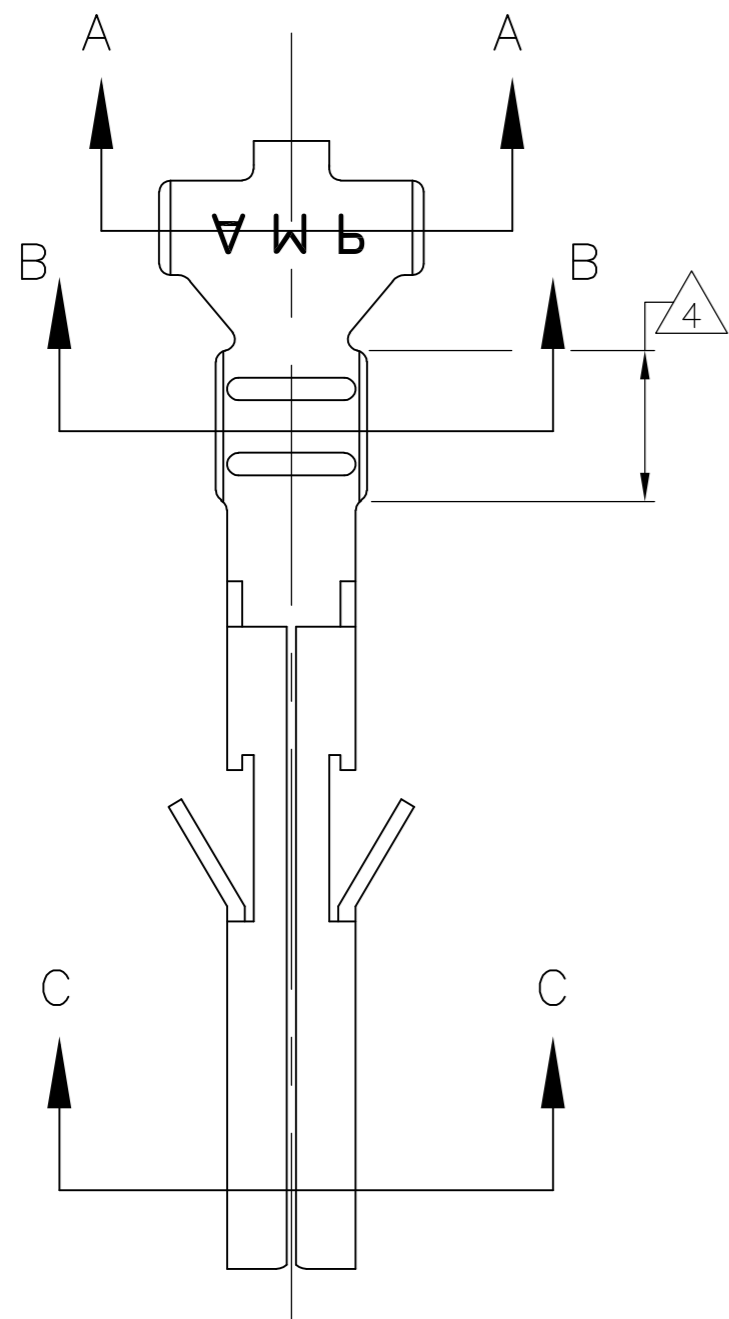
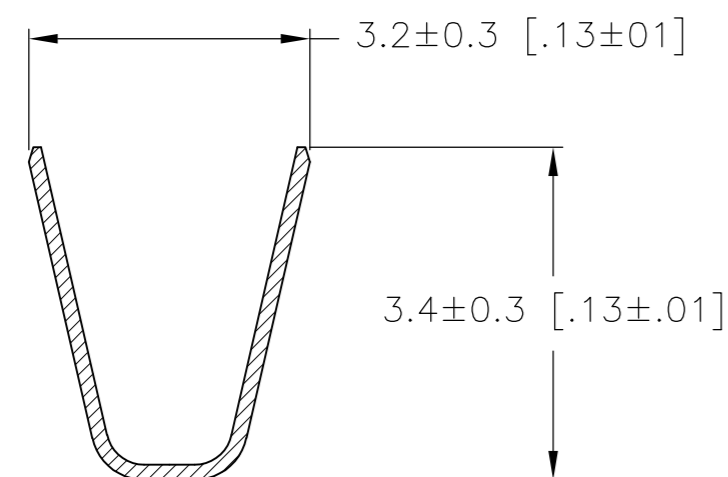


THIS DRAWING IS UNPUBLISHED. RELEASED FOR PUBLICATION  
 © COPYRIGHT - By - ALL RIGHTS RESERVED.

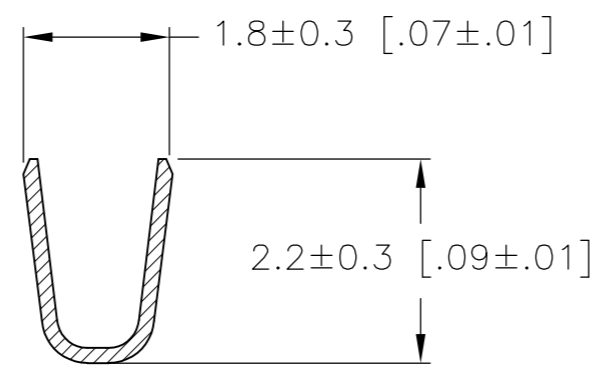
LOC		DIST		REVISIONS			
P	LTR	DESCRIPTION		DATE	DWN	APVD	
CM	00	A1	REVISED PER ECO-11-005027		11MAR11	RK	HMR



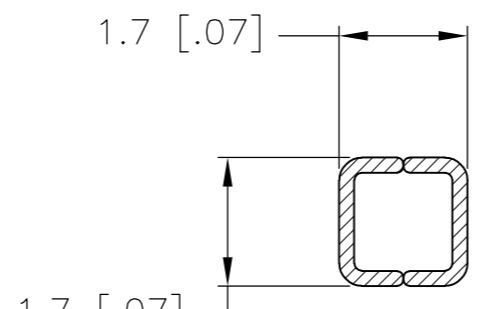
- 1 WIRE RANGE: 0.13-0.32mm<sup>2</sup> (22-26 AWG).
- 2 INSULATION RANGE: 1.20-1.75 DIA.
- 3 FINISH: 0.76µm MIN GOLD OVER 1.27µm MIN NICKEL REQUIRED ON INNER SURFACE, PERMITTED ON OUTER SURFACE.
- 4 FINISH: 2.54µm MIN TIN ON ALL SURFACES IN THIS AREA.



SECTION A-A



SECTION B-B



SECTION C-C

GOLD	3 4	PHOS. BRZ.	1586317-4
PRE-TIN		PHOS. BRZ.	1586317-3
GOLD	3 4	BRASS	1586317-2
PRE-TIN		BRASS	1586317-1
FINISH:		MATERIAL:	PART NO.

THIS DRAWING IS A CONTROLLED DOCUMENT.		DWN	S. HOOVER	14-OCT-2003	 TE Connectivity
DIMENSIONS:		CHK	D. COLEY	14-OCT-2003	
mm [INCHES]		APVD	D. COLEY	14-OCT-2003	
TOLERANCES UNLESS OTHERWISE SPECIFIED:		PRODUCT SPEC	NAME		
0 PLC	±	APPLICATION SPEC	TERMINAL LOOSE PIECE, SOCKET		
1 PLC	± 0.3 [.01]	WEIGHT	VAL-U-LOK(TM)		
2 PLC	± 0.15 [.004]	CUSTOMER DRAWING	SCALE	10:1	RESTRICTED TO
3 PLC	± 0.050 [.0020]	FINISH	A2	00779	—
4 PLC	±		C=	1586317	
ANGLES	±		SCALE	10:1	SHEET
					1 OF 1
					REV
					A1