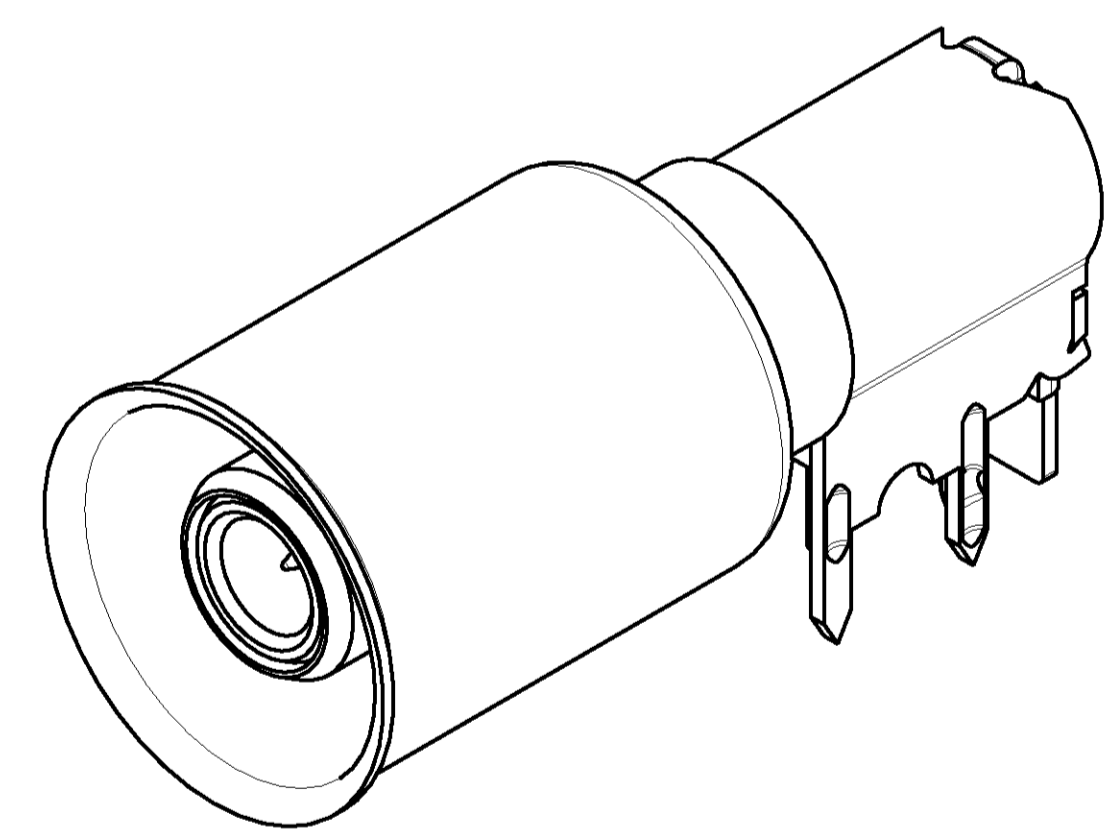
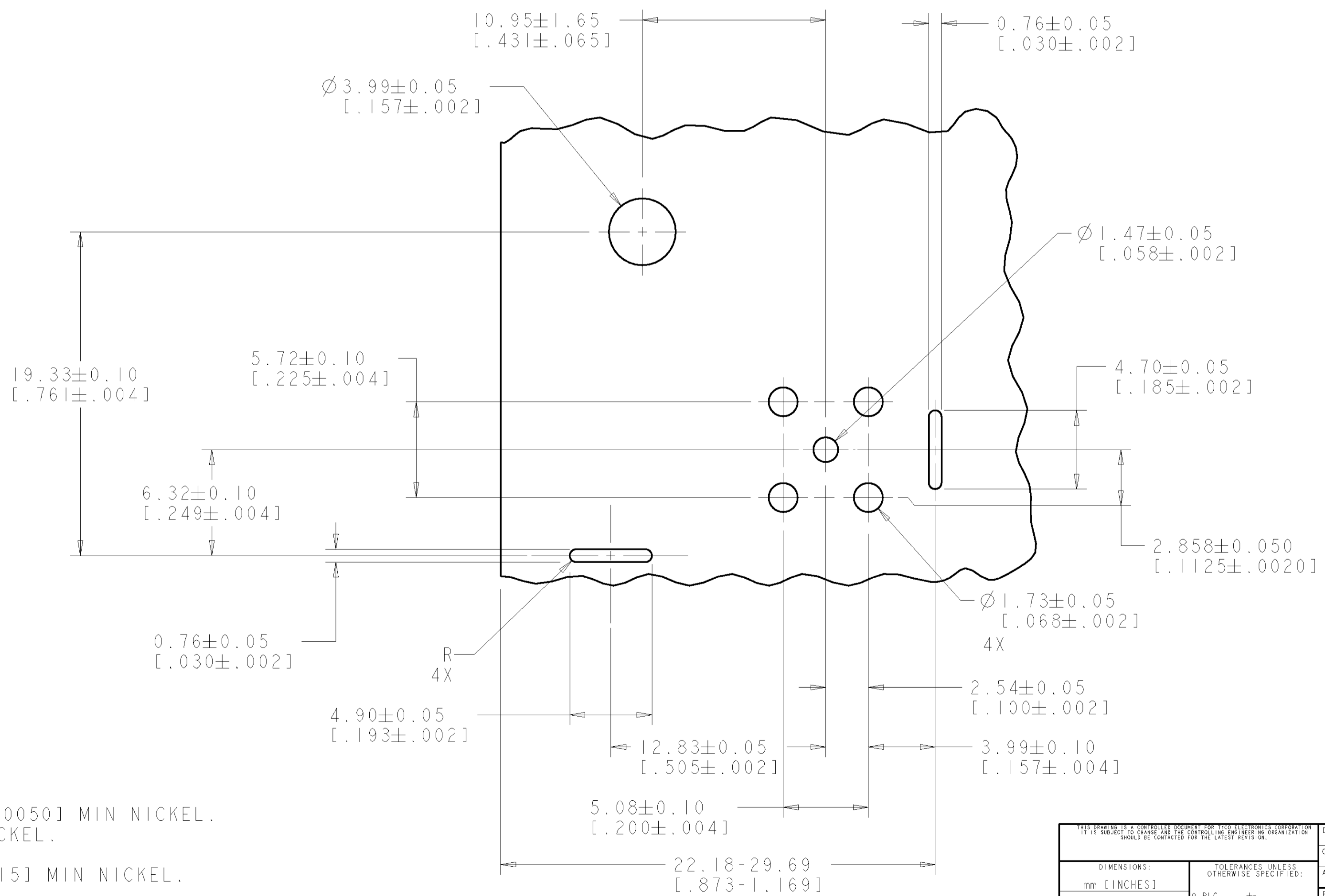
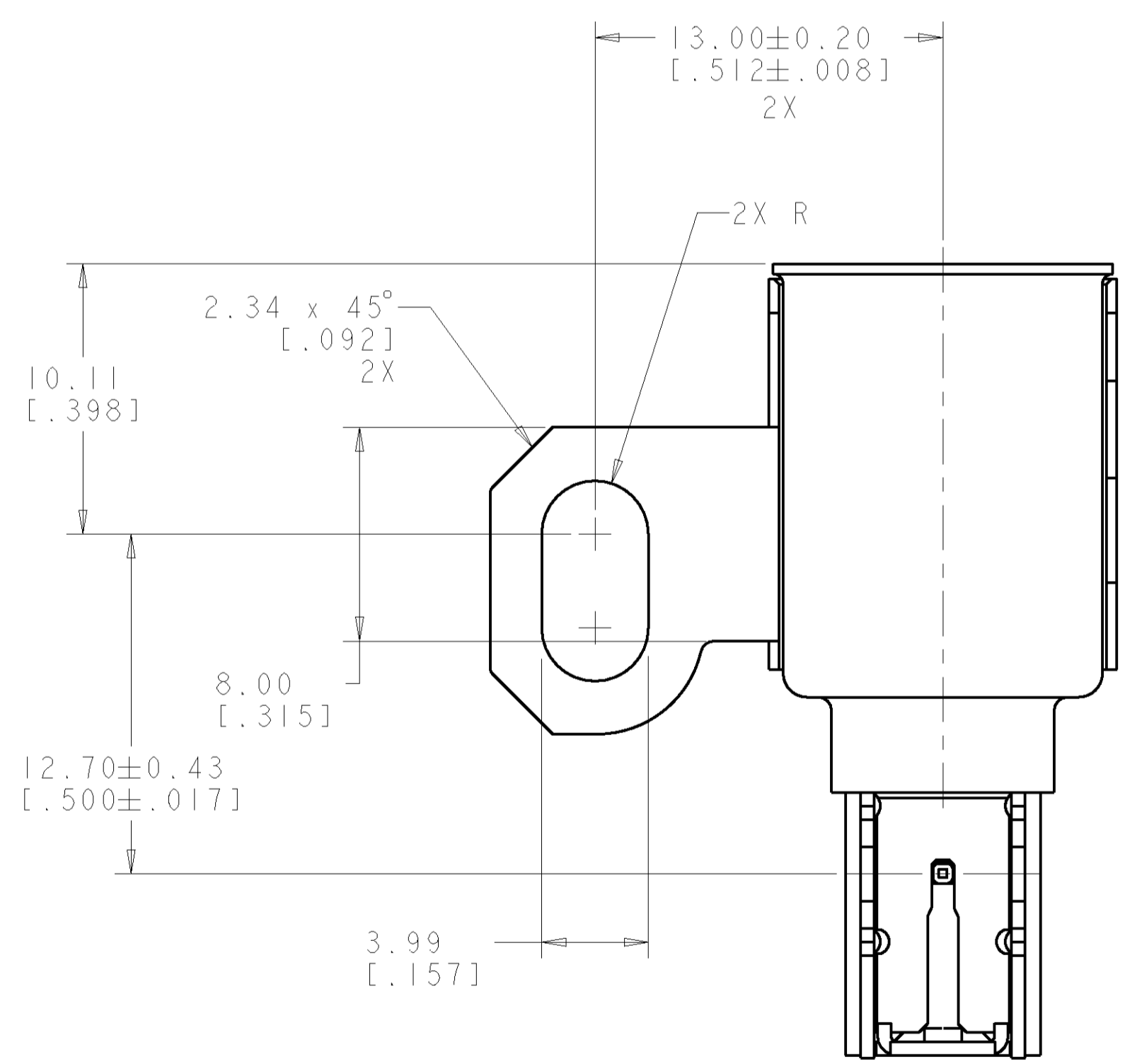
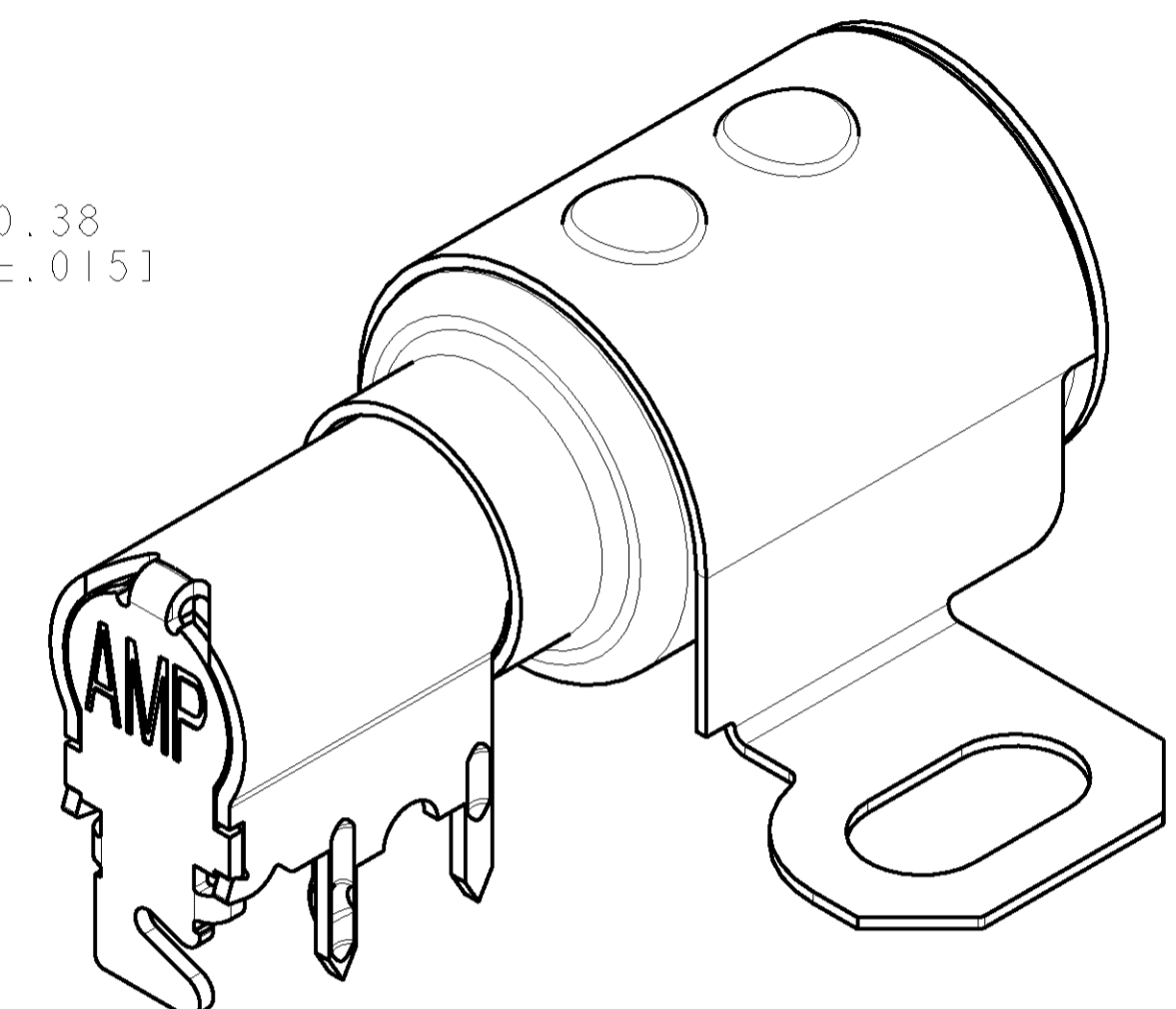
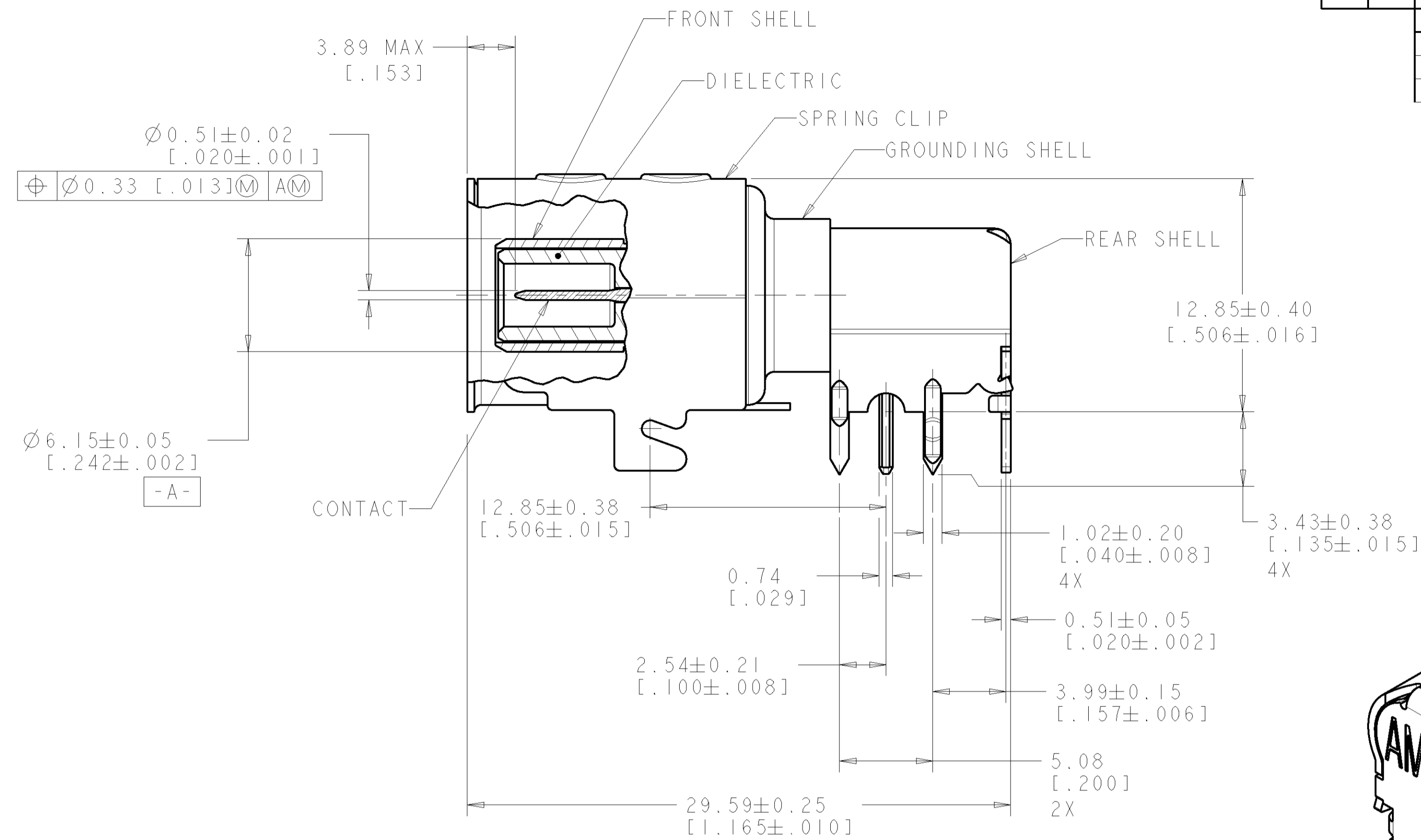
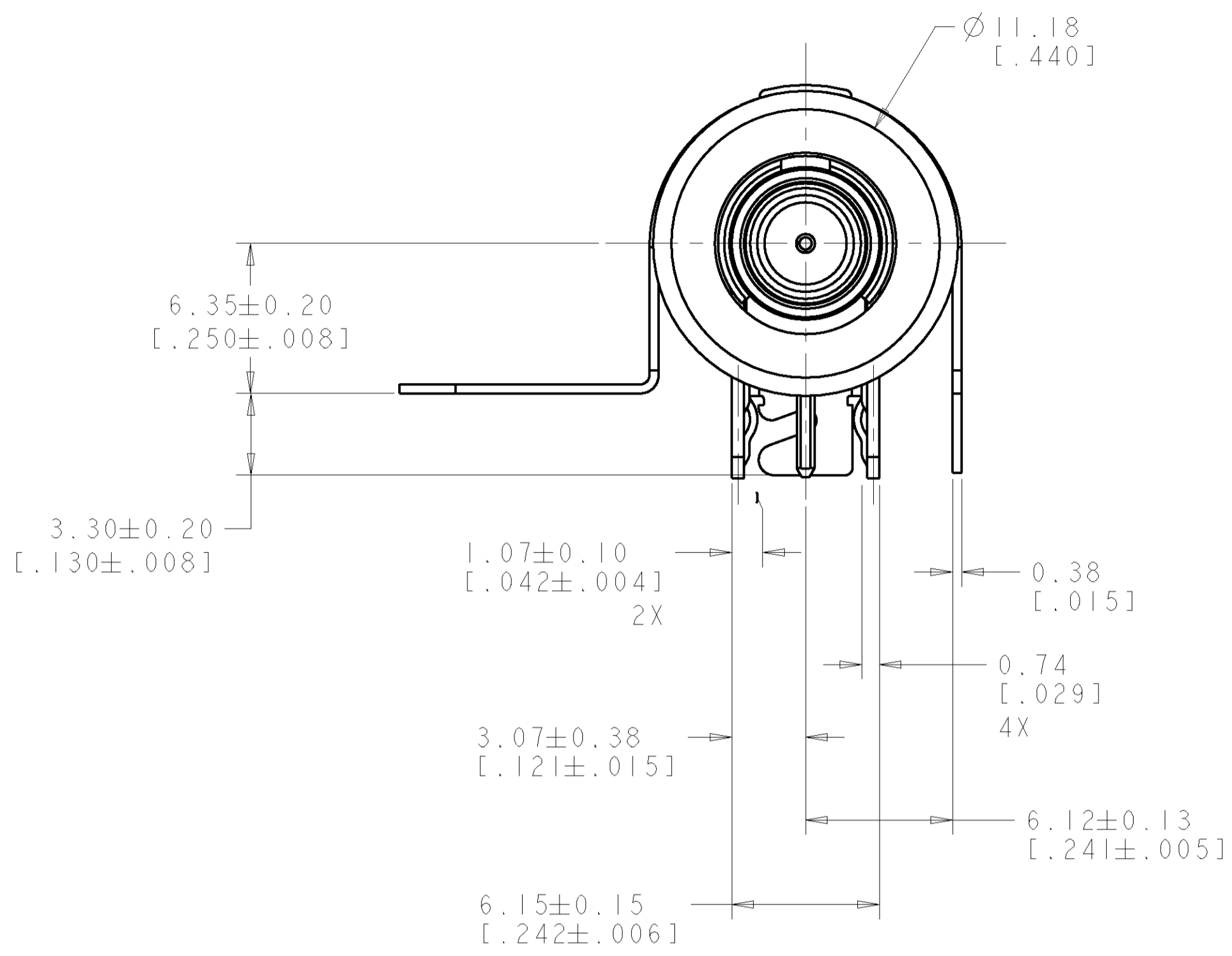


LOC	DIST	REVISIONS			
		REV	DATE	BY	APPV
1N	00	D	18JUL2007	DLD	LLV



- 1 FRONT SHELL, REAR SHELL AND CONTACT - BRASS.
DIELECTRIC - POLYMETHYLPENTENE, NATURAL.
GROUNDING SHELL SUBASSEMBLY:
GROUNDING SHELL - BRASS.
SPRING CLIP - PHOSPHOR BRONZE.
- 2 FRONT AND REAR SHELL - $2.54 \mu\text{m}$ [.000100] MIN TIN OVER $1.27 \mu\text{m}$ [.000050] MIN NICKEL.
CONTACT - $3.81 \mu\text{m}$ [.000150] MIN TIN OVER $1.27 \mu\text{m}$ [.000050] MIN NICKEL.
GROUNDING SHELL SUBASSEMBLY:
GROUNDING SHELL - $5.08 \mu\text{m}$ [.000200] MIN TIN OVER $0.38 \mu\text{m}$ [.000015] MIN NICKEL.
SPRING CLIP - $3.0 \mu\text{m}$ [.000118] MIN TIN.

3. PART MUST FIT TO PCB WITHOUT DAMAGE

DESCRIPTION	PART NUMBER
WITHOUT SPRING CLIP	1488886-5
WITH SPRING CLIP	1488886-1

DIMENSIONS: mm [INCHES]		TOLERANCES UNLESS OTHERWISE SPECIFIED: 0 PLC ± .01 1 PLC ± .01 2 PLC ± .01 3 PLC ± .01 4 PLC ± .01 ANGLES ± .1°		DWN J. HARDY 16SEP2003 CHK J. M. RAUDENBUSH 16SEP2003 APPV J. M. RAUDENBUSH 16SEP2003 NAME PRODUCT SPEC APPLICATION SPEC 114-13138 WEIGHT CUSTOMER DRAWING		Tyco Electronics Harrisburg, PA 17105-3608 JACK ASSEMBLY, PC BOARD, 1 POSITION, SNAP-LOCK SIZE CASE CODE DRAWING NO 00779 C=1488886 SCALE 5:1 SHEET 1 OF 1 REV D	
----------------------------	--	---	--	--	--	---	--