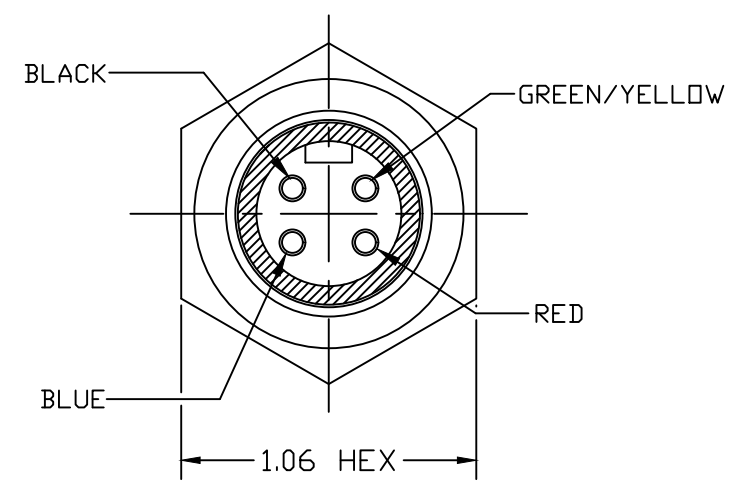
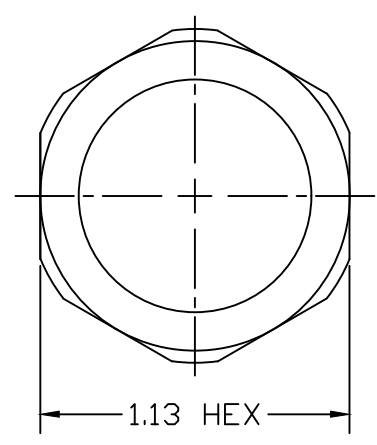
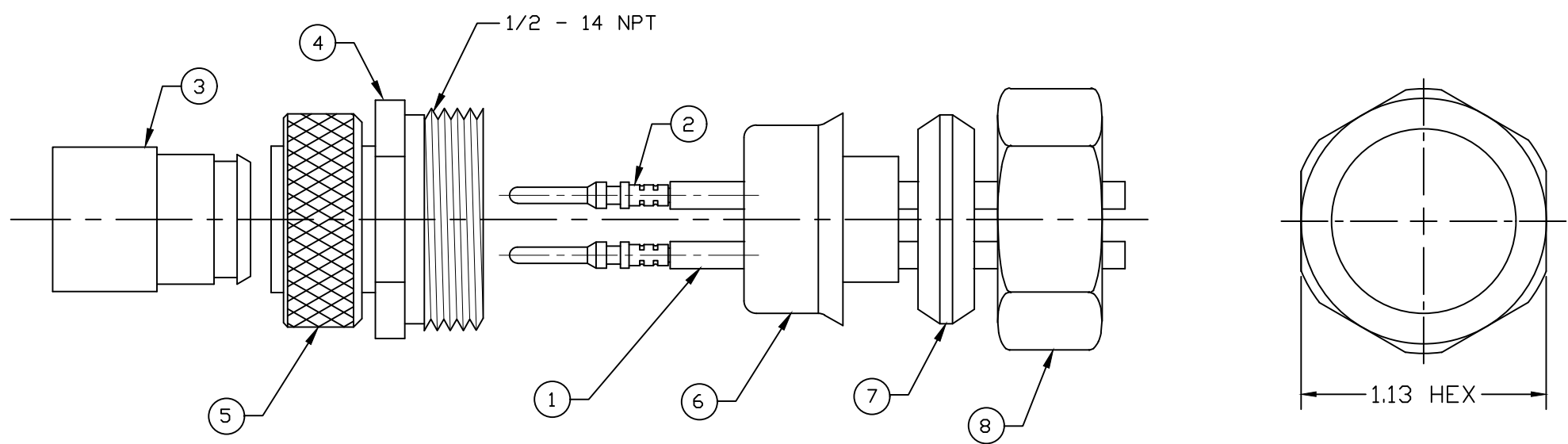


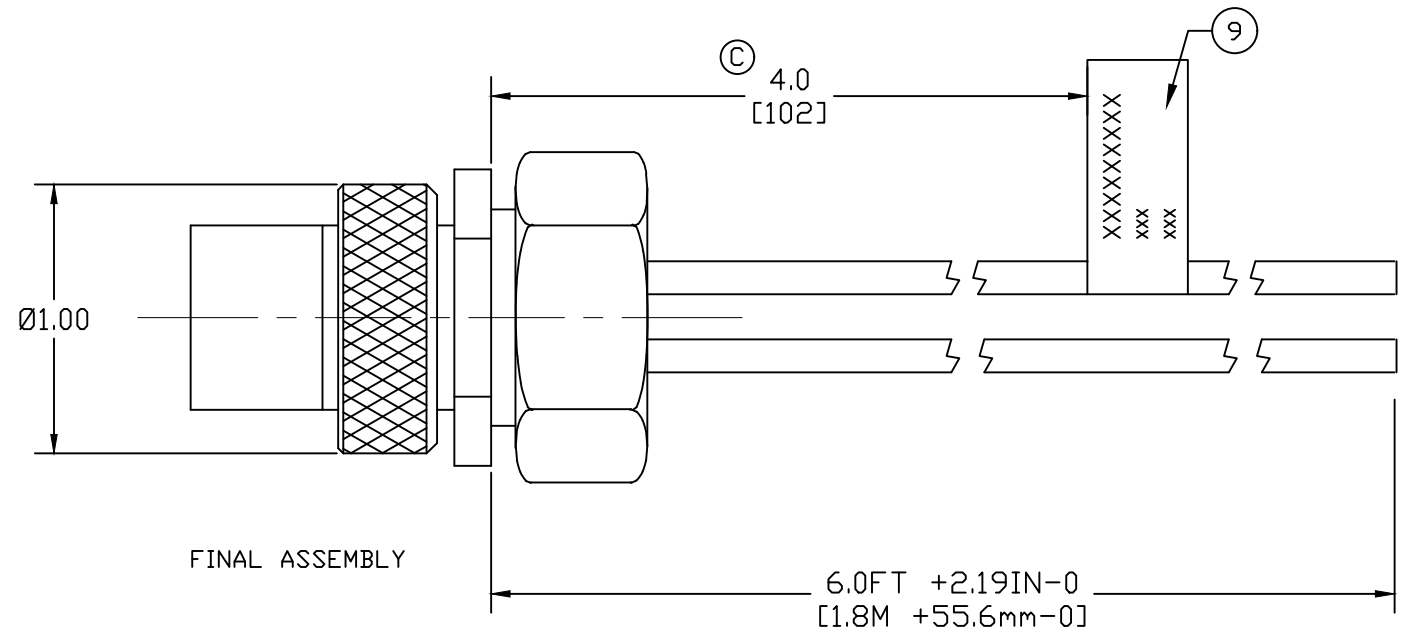
PART NO.	ENG. NO.
1300180184	51149



MALE INSERT - FACE VIEW



- NOTES:
- MATERIAL: AS NOTED
 - FINISH: AS NOTED
 - ELECTRICAL:
VOLTAGE: 483V PER IEC 60664
600V PER UL 2238
CURRENT: 10A
 - TEMP RATING: -20°C TO +105°C
 - PROTECTION: IP67 (WHEN MATED)
 - COUPLING THREAD: 7/8-16 UN
 - ALL DIMS ARE FOR REFERENCE UNLESS TOLERANCED OR NOTED OTHERWISE



FINAL ASSEMBLY

ITEM	DESCRIPTION	MATERIAL	FINISH
9	FLAG LABEL	VINYL	BLACK/YELLOW
8	LIQUID-TIGHT NUT	STEEL	ZINC PLATED
7	GLAND RING	NYLON	WHITE
6	FERRULE	STEEL	ZINC PLATED
5	COUPLING NUT	ALUMINUM	CLEAR ANODIZED
4	LIQUID-TIGHT BODY	STEEL	ZINC PLATED
3	4P MALE INSERT	TPE ©	YELLOW
2	CONTACT PIN	BRASS	GOLD PLATED
1	WIRE, 16AWG (UL 1015)	PVC	SEE FACE VIEW
ITEM	DESCRIPTION	MATERIAL	FINISH

FUNCTIONAL SYMBOLS	THIS DRAWING CONTAINS INFORMATION THAT IS PROPRIETARY TO MOLEX ELECTRONIC TECHNOLOGIES, LLC AND SHOULD NOT BE USED WITHOUT WRITTEN PERMISSION						
	DIMENSION UNITS	SCALE			CURRENT REV DESC: INSERT WAS PVC, UPDATE DOC PER LATEST STD., ADD NOTES, LABEL DIM WAS 8 IN		
$F=0$ $E=0$ $P=0$	INCH/MM	1:1	mini-change RECEPTACLE 4P, MALE, 16 AWG, LIQUID-TIGHT				
GENERAL TOLERANCES (UNLESS SPECIFIED)							
DIVISIONAL SYMBOLS	4 PLACES	±----	±----	EC NO: 641559 DRWN: RSTONE 2020/07/15 CHK'D: CCHRSTKA 2020/07/15 APPR: BWOODMAN 2020/07/16			
	3 PLACES	±----	±----				
	2 PLACES	±----	±----	INITIAL REVISION: DRWN: TVICKERS 2009/08/25 APPR: DTITUS 2009/08/31			
	1 PLACE	±----	±----				
	0 PLACES	±----	±----	DOCUMENT NUMBER: SD-130062-002 DOC TYPE: PSD DOC PART: 001 REVISION: C			
DRAFT WHERE APPLICABLE MUST REMAIN WITHIN DIMENSIONS		THIRD ANGLE PROJECTION	DRAWING: B-SIZE	SERIES: 130062	MATERIAL NUMBER: GENERAL MARKET	CUSTOMER: GENERAL MARKET	SHEET NUMBER: 1 OF 1