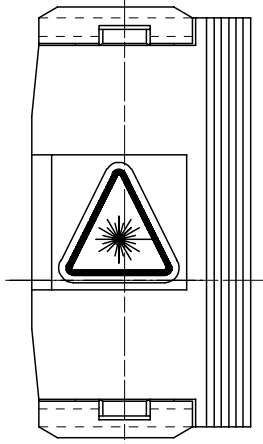
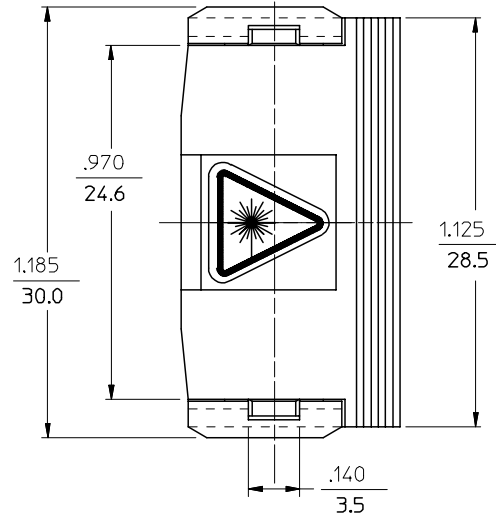


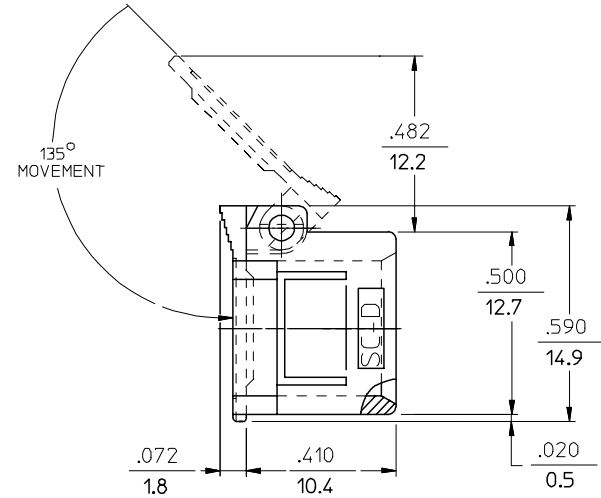
SHIELD ASSEMBLY P/N	COLOR
106166-0200	BLUE
106166-0210	BEIGE
106166-0230	BLACK
106166-0240	RED
106166-0250	GREEN
106166-0220	AQUA



VIEW A  
VARIATION 1  
FOR LABEL INSTALLATION  
(SEE NOTE 1)



VIEW A  
VARIATION 2  
FOR LABEL INSTALLATION  
(SEE NOTE 1)



NOTES:  
1. LABEL MUST BE INSTALLED AND ORIENTED BY CUSTOMER. (SEE VIEW A)

ENTER DESCRIPTION EC NO: MF2006-0237 DRWN:PGIBLIN 2005/11/29 CHKD: 2005/11/29 APPR:IGUMIN 2005/11/29 REV A	QUALITY SYMBOLS  	GENERAL TOLERANCES (UNLESS SPECIFIED)		DIMENSION STYLE	SCALE	DESIGN UNITS	THIRD ANGLE PROJECTION	
				IN/MM	4:1	INCH		
		4 PLACES	± ---	± ---	DRAWN BY	DATE		TITLE
		3 PLACES	± ---	± ---	RPACIFIC I	2005/10/11		SHIELD ASSEMBLY (SC-D)
			2 PLACES	± ---	± ---	CHECKED BY	DATE	
			1 PLACE	± ---	± ---	APPROVED BY	DATE	
			ANGULAR ±1/2°		MATERIAL NO.		DOCUMENT NO.	
			DRAFT WHERE APPLICABLE MUST REMAIN WITHIN DIMENSIONS		SEE TABLE		SD-106166-02X0	
			SIZE B		THIS DRAWING CONTAINS INFORMATION THAT IS PROPRIETARY TO MOLEX INCORPORATED AND SHOULD NOT BE USED WITHOUT WRITTEN PERMISSION		SHEET NO. 1 OF 01	