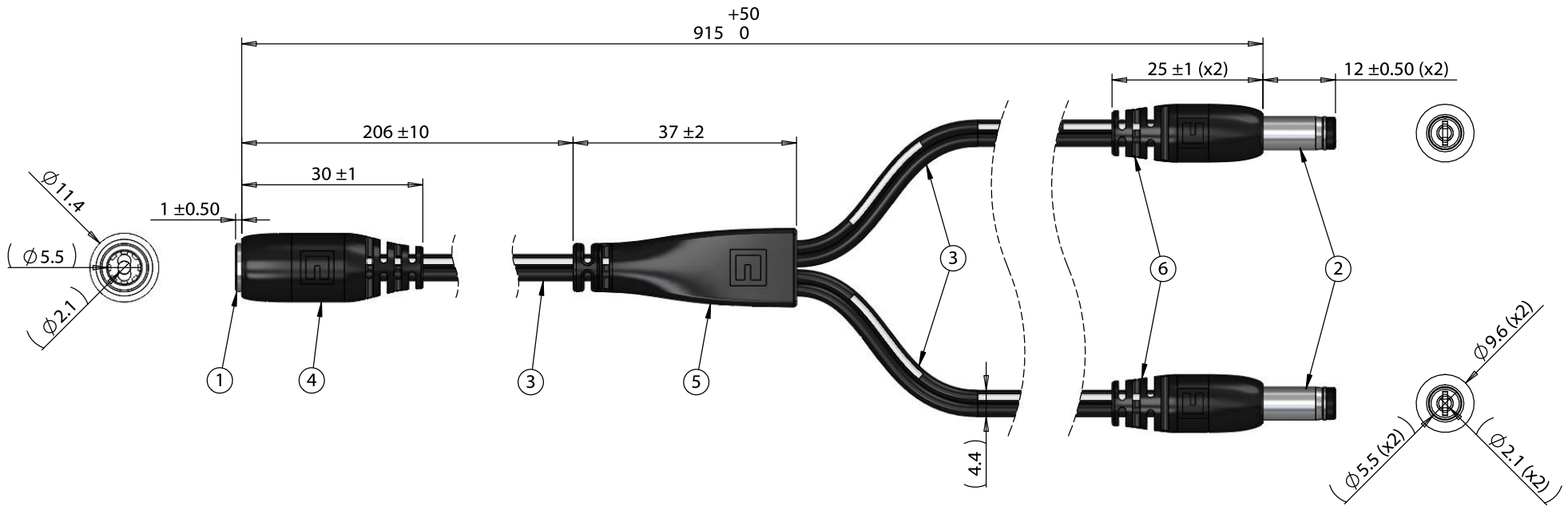


| ITEM NO. | PART NUMBER | DESCRIPTION | QTY. | COMPONENT NOTES |
|----------|-------------|--|------|-----------------|
| 1 | 50-00025 | Connector, dc jack, 5.5x2.1xL17.4 mm, molding style | 1 | |
| 2 | 50-00024 | Connector, dc plug, 5.5x2.1xL23 mm, molding style, spring contacts | 2 | |
| 3 | 30-00007 | Wire, 2C BC, 18 AWG, UL2468, 300V, 80C, 4.4 mm, VW-1, PVC, 87A | 3 | |
| 4 | 24-00004 | Overmold, PVC | 1 | black |
| 5 | 24-00195 | Overmold, splitter, Ø 8.0 mm by 10.0x13.0 mm | 1 | black |
| 6 | 24-00003 | Overmold, PVC | 2 | black |



Notes:
Functionally equivalent components may be substituted

| Wiring Diagram | | |
|----------------|-------------------|----------|
| 50-00025 | wire color | 50-00024 |
| center | black with stripe | center |
| sleeve | black | sleeve |

| | | | | | |
|-----------|-----------|-----------------|--|--|---|
| Revision: | Date: | Description: | Prepared: | Notes: | <h1>TENSILITY</h1> tel 1.541.323.3228 800 877.670.7118 fax 1.541.323.4202 web tensility.com |
| A | 4/13/2018 | Initial release | JP <small>Digitally signed by JP Date: 2018.04.13 14:01:09 -07'00'</small> | | |
| | | | Verified: | Function test: no open, no short circuit, no intermittent | Size: |
| | | | RS <small>Digitally signed by RS Date: 2018.04.16 10:57:24 -07'00'</small> | Description: | Part number: |
| | | | Dimensions are in millimeters. Tolerances: X: ± 0.5 mm X.X: ± 0.3 mm X.XX: ± 0.05 mm | Cable, 915 mm, 5.5x2.1 mm 50-00025 dc jack to y-split to 2x 5.5x2.1x12 mm 50-00024 dc plug, 18 AWG | A 10-02773 |
| | | | | | Scale: 1:1 |
| | | | | | Sheet 1 of 1 |

5

4

3

2

1