

2 & 3
CIRCUITS

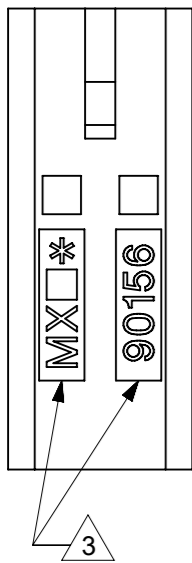
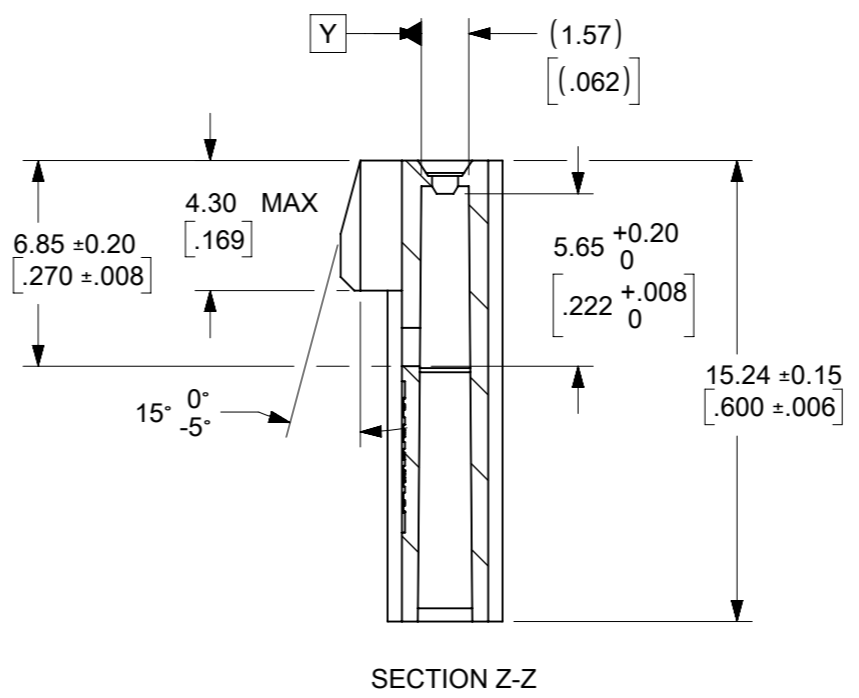
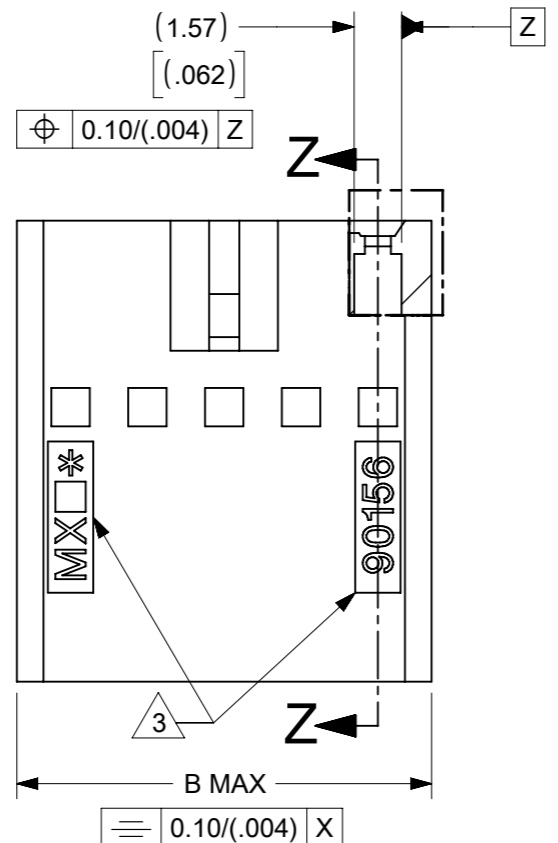
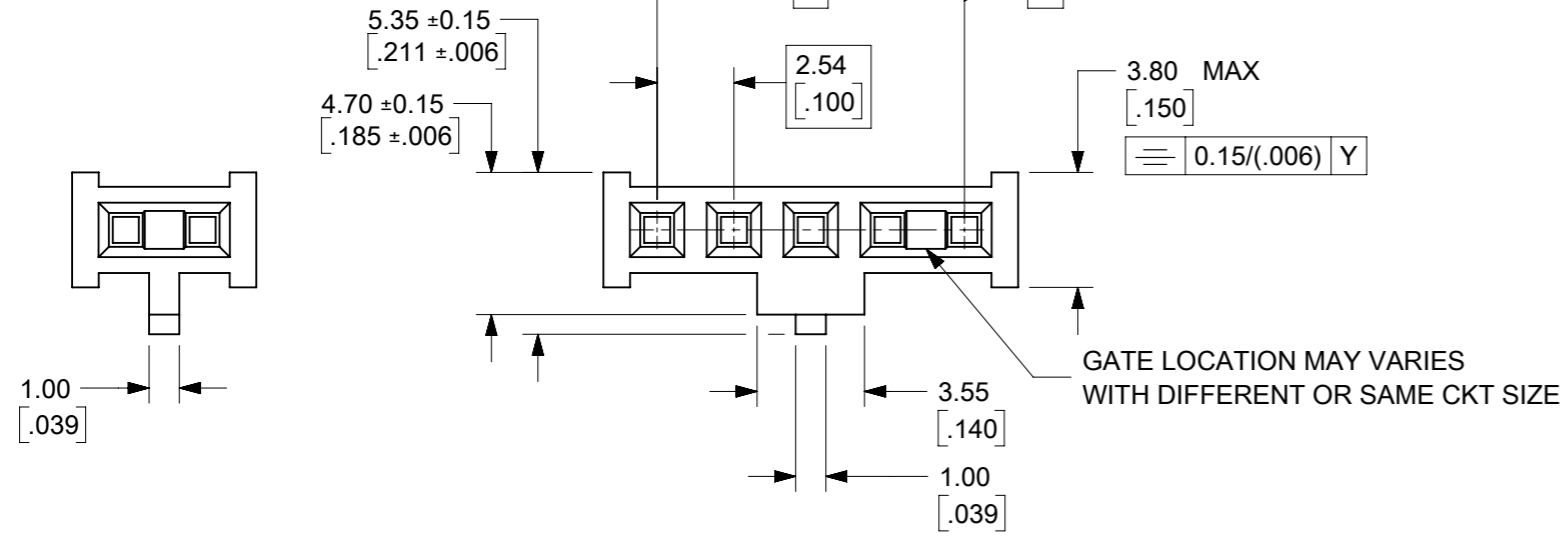
4 TO 32
CIRCUITS

PART NUMBER:
90156-XXXX

CIRCUIT SIZE
REF.NO
(SEE CHART)

MATERIAL CODE:
SEE NOTE 1

No. OF CKTS	PART NUMBER	DIM A	DIM B
2	90156-XX42	2.54/(.100)	6.14/(.242)
3	▲ -XX43	5.08/(.200)	8.68/(.342)
4	-XX44	7.62/(.300)	11.22/(.442)
5	-XX45	10.16/(.400)	13.76/(.542)
6	-XX46	12.70/(.500)	16.30/(.642)
7	-XX47	15.24/(.600)	18.84/(.742)
8	-XX48	17.78/(.700)	21.38/(.842)
9	-XX49	20.32/(.800)	23.92/(.942)
10	-XX50	22.86/(.900)	26.46/(1.042)
11			
12	-XX52	27.94/(1.100)	31.54/(1.242)
13	-XX53	30.48/(1.200)	34.08/(1.342)
14	-XX54	33.02/(1.300)	36.62/(1.442)
15	-XX55	35.56/(1.400)	39.16/(1.542)
16	-XX56	38.10/(1.500)	41.70/(1.642)
17			
18	-XX58	43.18/(1.700)	46.78/(1.842)
19			
20	-XX60	48.26/(1.900)	51.86/(2.042)
21			
22	-XX62	53.34/(2.100)	56.94/(2.242)
23			
24			
25	-XX65	60.96/(2.400)	64.56/(2.542)
26			
27			
28			
29			
30	-XX70	73.66/(2.900)	77.26/(3.042)
31			
32	90156-XX72	78.74/(3.100)	82.34/(3.242)



NOTES:

- MATERIAL CODE XX: 90156 - XX ** :
01 - POLYPHENYLENE OXIDE (PPO) UL94 V-1 COLOR: BLACK
10 - GLOW WIRE OPTION POLYESTER (PBT) UL94 V-2 COLOR: NATURAL
- PRODUCT SPECIFICATION: PS-99020-0001
- MOLEX LOGO, SERIES NUMBER AND CAVITY ID TO BE PLACED ON THIS FACE.

FUNCTIONAL SYMBOLS	THIS DRAWING CONTAINS INFORMATION THAT IS PROPRIETARY TO MOLEX ELECTRONIC TECHNOLOGIES, LLC AND SHOULD NOT BE USED WITHOUT WRITTEN PERMISSION	CURRENT REV DESC:		molex																																																
	<table border="1"> <tr><th>DIMENSION UNITS</th><th>SCALE</th></tr> <tr><td>MM/IN</td><td>NTS</td></tr> </table>	DIMENSION UNITS	SCALE		MM/IN	NTS	<table border="1"> <tr><th colspan="3">GENERAL TOLERANCES (UNLESS SPECIFIED)</th></tr> <tr><th></th><th>MM</th><th>INCH</th></tr> <tr><td>4 PLACES</td><td>±</td><td>±</td></tr> <tr><td>3 PLACES</td><td>±</td><td>± 0.004</td></tr> <tr><td>2 PLACES</td><td>± 0.2</td><td>±</td></tr> <tr><td>1 PLACE</td><td>±</td><td>±</td></tr> <tr><td>0 PLACES</td><td>±</td><td>±</td></tr> </table>		GENERAL TOLERANCES (UNLESS SPECIFIED)				MM	INCH	4 PLACES	±	±	3 PLACES	±	± 0.004	2 PLACES	± 0.2	±	1 PLACE	±	±	0 PLACES	±	±	<table border="1"> <tr><td>EC NO: 742393</td><td>2023/03/13</td></tr> <tr><td>DRWN: SUAIFR</td><td>2023/03/15</td></tr> <tr><td>CHK'D: SUAIFR</td><td>2023/03/15</td></tr> <tr><td>APPR: MRAMAKRISHNA</td><td>2023/03/15</td></tr> </table>	EC NO: 742393	2023/03/13	DRWN: SUAIFR	2023/03/15	CHK'D: SUAIFR	2023/03/15	APPR: MRAMAKRISHNA	2023/03/15	<table border="1"> <tr><th colspan="3">PRODUCT CUSTOMER DRAWING</th></tr> <tr><td>DOCUMENT NUMBER</td><td>DOC TYPE</td><td>DOC PART</td></tr> <tr><td>SDA-90156</td><td>PSD</td><td>001</td></tr> <tr><td>REVISION</td><td></td><td></td></tr> <tr><td>R2</td><td></td><td></td></tr> </table>	PRODUCT CUSTOMER DRAWING			DOCUMENT NUMBER	DOC TYPE	DOC PART	SDA-90156	PSD	001	REVISION			R2
DIMENSION UNITS	SCALE																																																			
MM/IN	NTS																																																			
GENERAL TOLERANCES (UNLESS SPECIFIED)																																																				
	MM	INCH																																																		
4 PLACES	±	±																																																		
3 PLACES	±	± 0.004																																																		
2 PLACES	± 0.2	±																																																		
1 PLACE	±	±																																																		
0 PLACES	±	±																																																		
EC NO: 742393	2023/03/13																																																			
DRWN: SUAIFR	2023/03/15																																																			
CHK'D: SUAIFR	2023/03/15																																																			
APPR: MRAMAKRISHNA	2023/03/15																																																			
PRODUCT CUSTOMER DRAWING																																																				
DOCUMENT NUMBER	DOC TYPE	DOC PART																																																		
SDA-90156	PSD	001																																																		
REVISION																																																				
R2																																																				
DIVISIONAL SYMBOLS	<table border="1"> <tr><th colspan="2">ANGULAR TOL</th></tr> <tr><td>± 2.0°</td><td></td></tr> </table>	ANGULAR TOL		± 2.0°		<table border="1"> <tr><td>INITIAL REVISION:</td><td>2004/05/07</td></tr> <tr><td>DRWN: GMCSWEEN</td><td>2015/11/05</td></tr> <tr><td>APPR: KHLIM</td><td></td></tr> </table>	INITIAL REVISION:	2004/05/07	DRWN: GMCSWEEN	2015/11/05	APPR: KHLIM		<table border="1"> <tr><th colspan="2">MATERIAL NUMBER</th><th colspan="2">CUSTOMER</th></tr> <tr><td>SEE TABLE</td><td></td><td>GENERAL MARKET</td><td></td></tr> </table>	MATERIAL NUMBER		CUSTOMER		SEE TABLE		GENERAL MARKET		<table border="1"> <tr><th colspan="2">SHEET NUMBER</th></tr> <tr><td>1 OF 1</td><td></td></tr> </table>	SHEET NUMBER		1 OF 1																											
ANGULAR TOL																																																				
± 2.0°																																																				
INITIAL REVISION:	2004/05/07																																																			
DRWN: GMCSWEEN	2015/11/05																																																			
APPR: KHLIM																																																				
MATERIAL NUMBER		CUSTOMER																																																		
SEE TABLE		GENERAL MARKET																																																		
SHEET NUMBER																																																				
1 OF 1																																																				