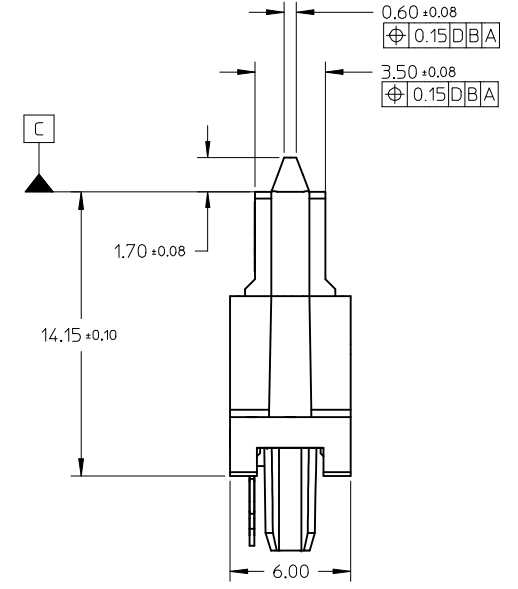
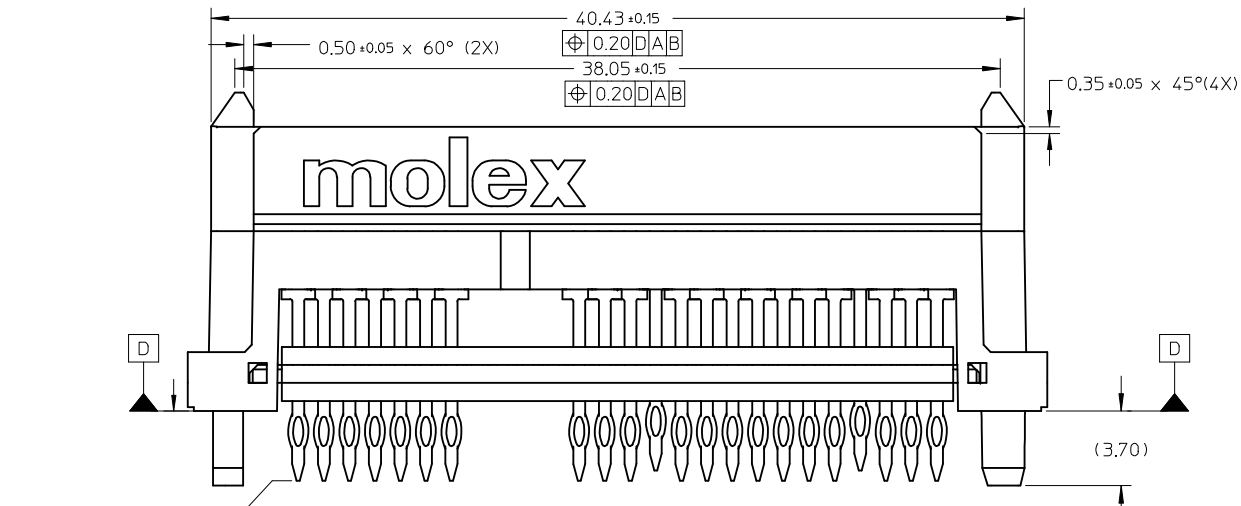


- NOTES:
1. MATERIAL: LIQUID CRYSTALLINE POLYMER (LCP), GLASS FILLED, UL 94V-0, COLOR: BLACK
TERMINAL: COPPER ALLOY
 2. PLATING
CONTACT: 0.76µm MIN. SELECTIVE GOLD OVER 1.27µm MIN. NICKEL UNDERPLATE
SOLDERTAIL: 2.54µm MIN. TIN OVER 1.27µm MIN. NICKEL UNDERPLATE
 3. MOLEX LOGO LOCATED APPROXIMATELY AS SHOWN
 4. MAXIMUM WARPAGE OF 0.13 mm OVER THE LENGTH OF THE CONNECTOR IN ANY DIRECTION BEFORE AND AFTER EXPOSURE TO MOLEX'S REFLOW PROFILE.
 5. PCB THICKNESS RANGE FROM 1.50 mm TO 2.00 mm
 6. KEEP OUT ZONE ON BOTH SIDE OF PCB FOR CONNECTOR INSERTION AND EXTRACTION TOOL
 7. PRODUCT SPECIFICATION: PS-87780-024 APPLIES
 8. PACKAGING
30 CONNECTORS PER TRAY
 9. MATES WITH SATA PLUG SERIES: 87679, 87703, 87799.



THE DESIGN IS BASED ON DESIGN OBJECTIVES AND IS STRICTLY TENTATIVE. IT MAY CHANGE BASED ON RESULTS OF ADDITIONAL DESIGN REVIEWS & VERIFICATIONS

EC NO: S2006-0465	2005/11/09	DRW:KHLIM	2005/11/09	CHKD:SHONG	2005/11/10	APPR:KCLING	2005/11/10
A1	REV	DESCRIPTION					

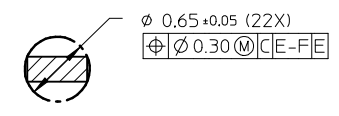
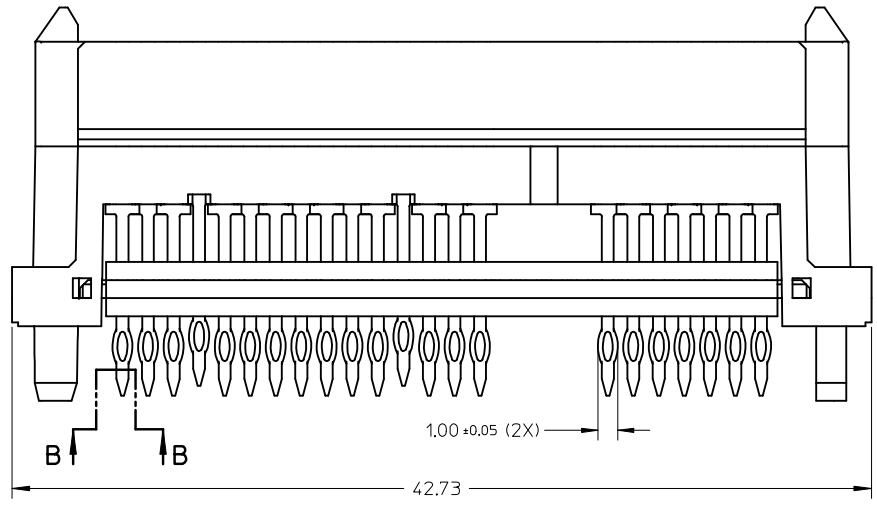
QUALITY SYMBOLS	▽=0
	∠=0

GENERAL TOLERANCES (UNLESS SPECIFIED)	mm	INCH	
	4 PLACES	± ---	± ---
	3 PLACES	± ---	± ---
	2 PLACES	± 0.20	± ---
	1 PLACE	± ---	± ---
	ANGULAR ± 3 °		
DRAFT WHERE APPLICABLE MUST REMAIN WITHIN DIMENSIONS			

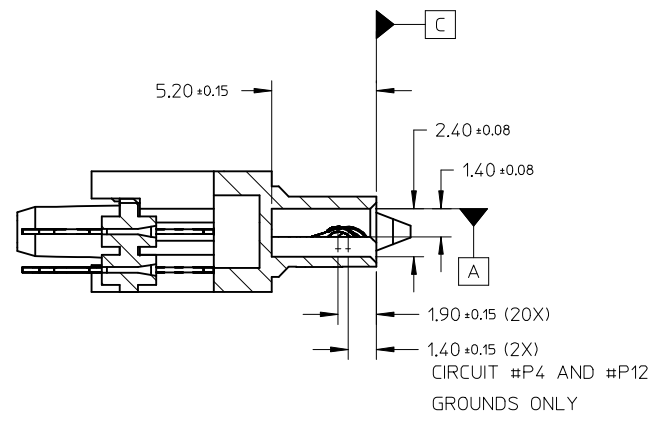
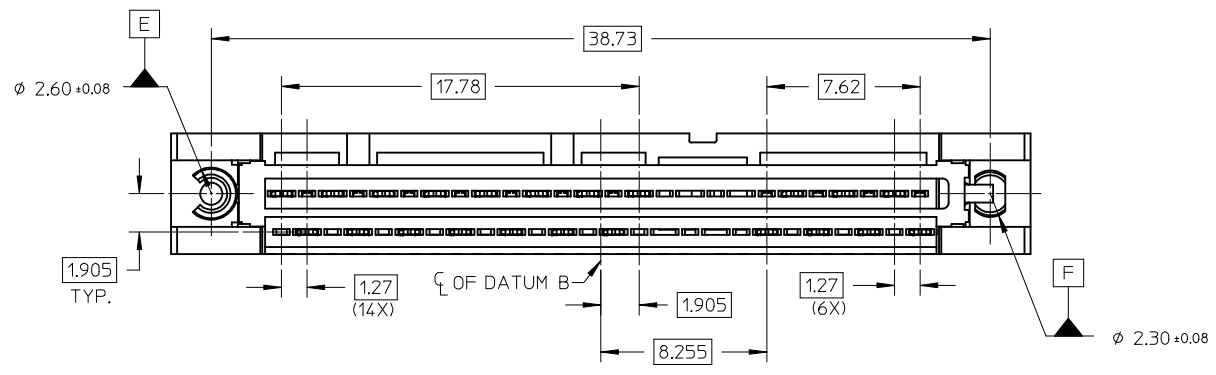
DIMENSION STYLE		SCALE	DESIGN UNITS
MM ONLY		NTS	METRIC
DRAWN BY	DATE	TITLE	
KHLIM	2005/01/23	SERIAL ATA BACKPLANE	
CHECKED BY	DATE	EXTENDED HEIGHT	
KCLING	2005/02/03	PRESS FIT RECEPTACLE	
APPROVED BY	DATE	MOLEX INCORPORATED	
SKTOH	2005/02/04		
MATERIAL NO.	DOCUMENT NO.	SHEET NO.	
87780-1001	SD-87780-031	1 OF 4	

THIRD ANGLE PROJECTION	
THIS DRAWING CONTAINS INFORMATION THAT IS PROPRIETARY TO MOLEX INCORPORATED AND SHOULD NOT BE USED WITHOUT WRITTEN PERMISSION	

10 9 8 7 6 5 4 3 2 1



SECTION B-B

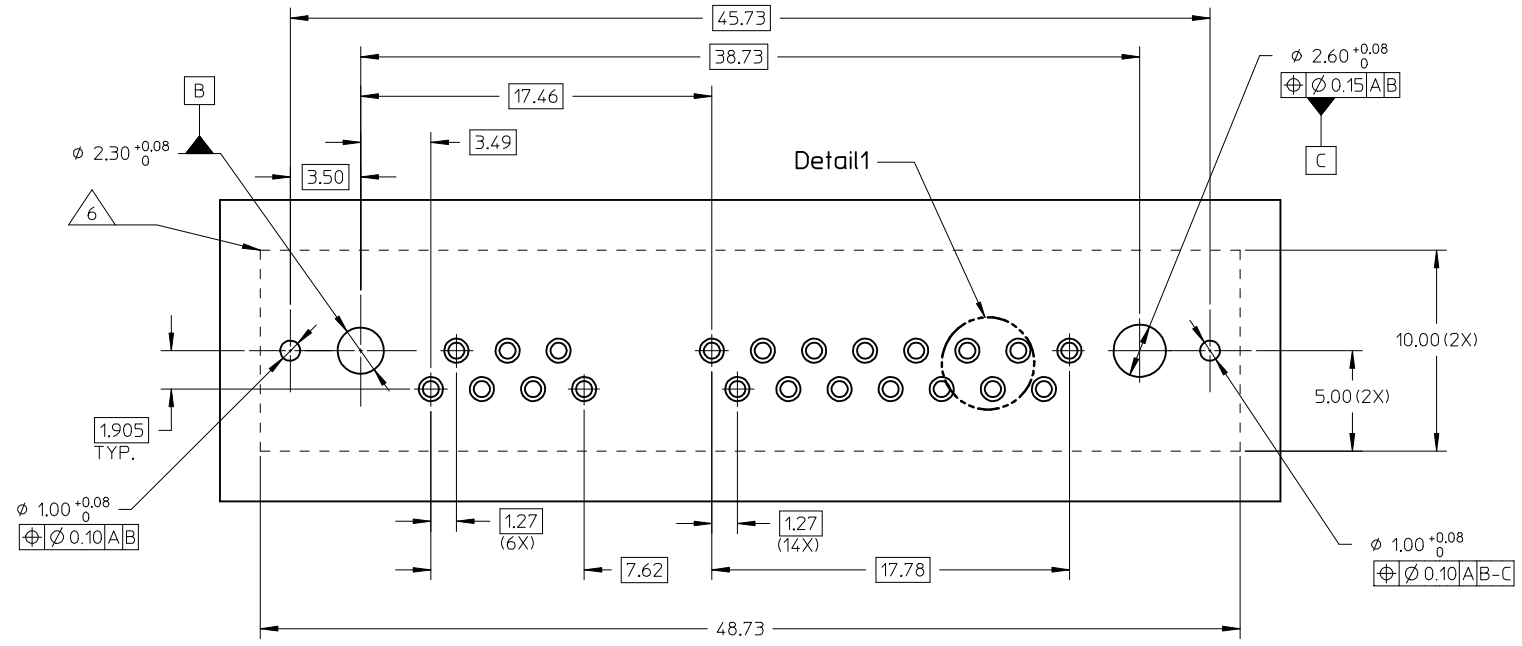
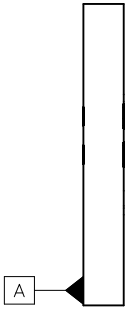


SECTION A-A

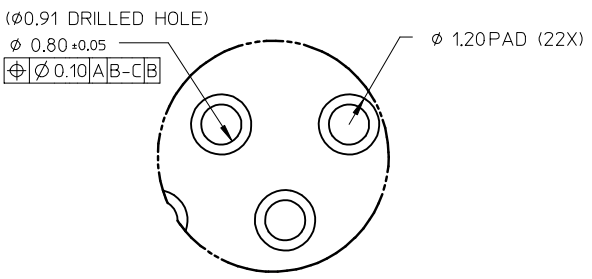
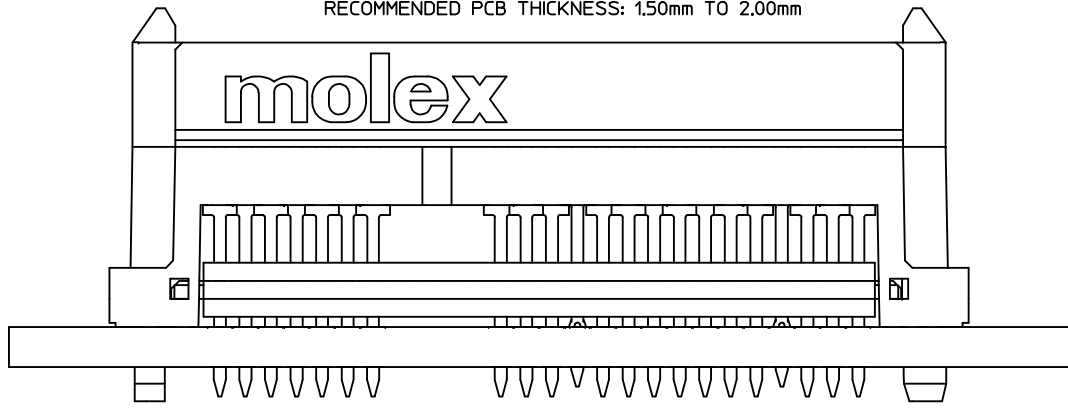
IEC NO: S2006-0465 DRWN:KHLIM 2005/11/09 CHKD:SHONG 2005/11/09 APPR:KCLING 2005/11/10 REV: A1	QUALITY SYMBOLS ▽=0 ◻=0	GENERAL TOLERANCES (UNLESS SPECIFIED) mm INCH 4 PLACES ± --- ± --- 3 PLACES ± --- ± --- 2 PLACES ± 0.20 ± --- 1 PLACE ± --- ± --- ANGULAR ± 3 °	DIMENSION STYLE MM ONLY	SCALE NTS	DESIGN UNITS METRIC	THIRD ANGLE PROJECTION
	DRAWN BY KHLIM	DATE 2005/01/23	TITLE SERIAL ATA BACKPLANE EXTENDED HEIGHT PRESS FIT RECEPTACLE			
	CHECKED BY KCLING	DATE 2005/02/03	MOLEX INCORPORATED			
	APPROVED BY SKTOH	DATE 2005/02/04	MATERIAL NO. 87780-1001	DOCUMENT NO. SD-87780-031	SHEET NO. 2 OF 4	
DRAFT WHERE APPLICABLE MUST REMAIN WITHIN DIMENSIONS		THIS DRAWING CONTAINS INFORMATION THAT IS PROPRIETARY TO MOLEX INCORPORATED AND SHOULD NOT BE USED WITHOUT WRITTEN PERMISSION				

9 8 7 6 5 4 3 2 1

10 9 8 7 6 5 4 3 2 1



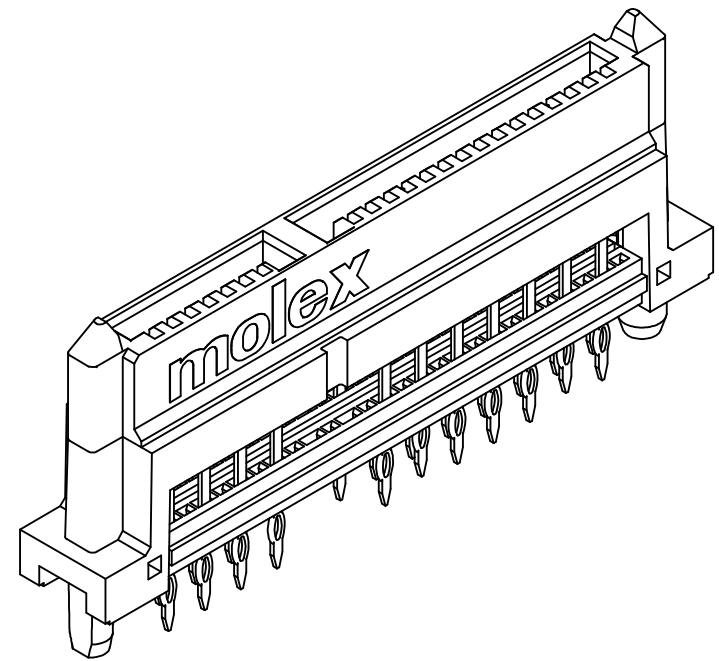
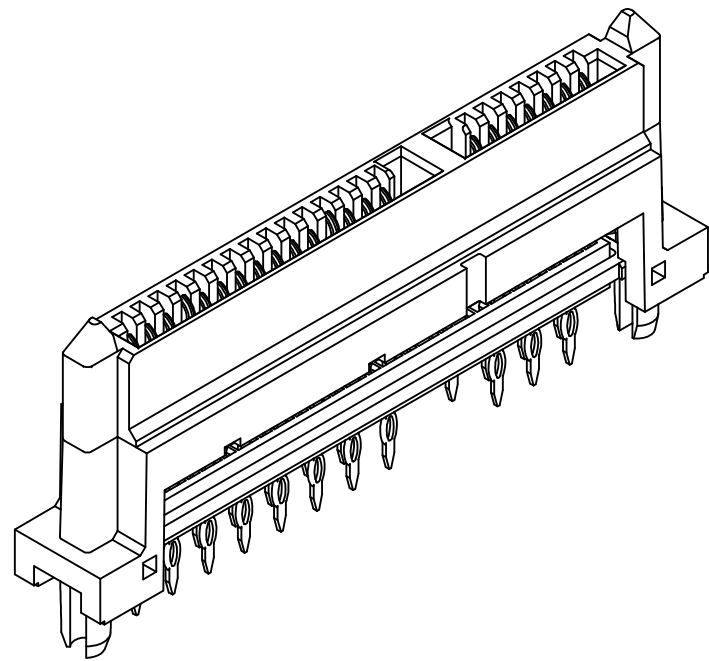
RECOMMENDED PCB LAYOUT
 RECOMMENDED PCB THICKNESS: 1.50mm TO 2.00mm



Detail1

IEC NO: S2006-0465 2005/11/09 DRW:KHLIM 2005/11/09 CHK:D:SHONG APPR:KCLING 2005/11/10	QUALITY SYMBOLS ▽=0 ▽=0	GENERAL TOLERANCES (UNLESS SPECIFIED) mm INCH 4 PLACES ± --- ± --- 3 PLACES ± --- ± --- 2 PLACES ± 0.20 ± --- 1 PLACE ± --- ± --- ANGULAR ± 3 °	DIMENSION STYLE MM ONLY DRAWN BY DATE KHLIM 2005/01/23 CHECKED BY DATE KCLING 2005/02/03 APPROVED BY DATE SKTOH 2005/02/04 MATERIAL NO. 87780-1001	SCALE NTS DESIGN UNITS METRIC THIRD ANGLE PROJECTION	TITLE SERIAL ATA BACKPLANE EXTENDED HEIGHT PRESS FIT RECEPTACLE MOLEX MOLEX INCORPORATED DOCUMENT NO. SD-87780-031	SHEET NO. 3 OF 4
	DRAFT WHERE APPLICABLE MUST REMAIN WITHIN DIMENSIONS	SIZE A3 THIS DRAWING CONTAINS INFORMATION THAT IS PROPRIETARY TO MOLEX INCORPORATED AND SHOULD NOT BE USED WITHOUT WRITTEN PERMISSION				
	REV A1					
	IEC NO: S2006-0465 2005/11/09 DRW:KHLIM 2005/11/09 CHK:D:SHONG APPR:KCLING 2005/11/10					

9 8 7 6 5 4 3 2 1



EC NO: S2006-0465 DRW:KHLIM 2005/11/09 CHKD:SHONG 2005/11/09 APPR:KCLING 2005/11/10 REV A1	QUALITY SYMBOLS ▼=0 ▽=0	GENERAL TOLERANCES (UNLESS SPECIFIED) <table border="1"> <thead> <tr> <th></th> <th>mm</th> <th>INCH</th> </tr> </thead> <tbody> <tr> <td>4 PLACES</td> <td>± ---</td> <td>± ---</td> </tr> <tr> <td>3 PLACES</td> <td>± ---</td> <td>± ---</td> </tr> <tr> <td>2 PLACES</td> <td>± 0.20</td> <td>± ---</td> </tr> <tr> <td>1 PLACE</td> <td>± ---</td> <td>± ---</td> </tr> </tbody> </table>		mm	INCH	4 PLACES	± ---	± ---	3 PLACES	± ---	± ---	2 PLACES	± 0.20	± ---	1 PLACE	± ---	± ---	DIMENSION STYLE MM ONLY	SCALE NTS	DESIGN UNITS METRIC	THIRD ANGLE PROJECTION
		mm	INCH																		
	4 PLACES	± ---	± ---																		
	3 PLACES	± ---	± ---																		
2 PLACES	± 0.20	± ---																			
1 PLACE	± ---	± ---																			
	DRAFT WHERE APPLICABLE MUST REMAIN WITHIN DIMENSIONS	<table border="1"> <thead> <tr> <th>DRAWN BY</th> <th>DATE</th> <th>TITLE</th> </tr> </thead> <tbody> <tr> <td>KHLIM</td> <td>2005/01/23</td> <td rowspan="4"> SERIAL ATA BACKPLANE EXTENDED HEIGHT PRESS FIT RECEPTACLE </td> </tr> <tr> <td>CHECKED BY</td> <td>DATE</td> </tr> <tr> <td>KCLING</td> <td>2005/02/03</td> </tr> <tr> <td>APPROVED BY</td> <td>DATE</td> </tr> </tbody> </table>	DRAWN BY	DATE	TITLE	KHLIM	2005/01/23	SERIAL ATA BACKPLANE EXTENDED HEIGHT PRESS FIT RECEPTACLE	CHECKED BY	DATE	KCLING	2005/02/03	APPROVED BY	DATE	MATERIAL NO. 87780-1001	DOCUMENT NO. SD-87780-031	SHEET NO. 4 OF 4				
DRAWN BY	DATE	TITLE																			
KHLIM	2005/01/23	SERIAL ATA BACKPLANE EXTENDED HEIGHT PRESS FIT RECEPTACLE																			
CHECKED BY	DATE																				
KCLING	2005/02/03																				
APPROVED BY	DATE																				
		ANGULAR ± 3 °	SKTOH 2005/02/04	MOLEX INCORPORATED																	
			SIZE A3	THIS DRAWING CONTAINS INFORMATION THAT IS PROPRIETARY TO MOLEX INCORPORATED AND SHOULD NOT BE USED WITHOUT WRITTEN PERMISSION																	