

7

6

5

4

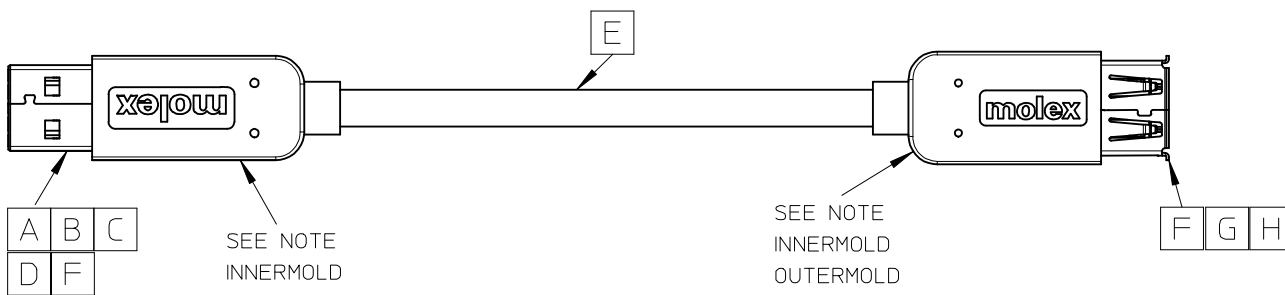
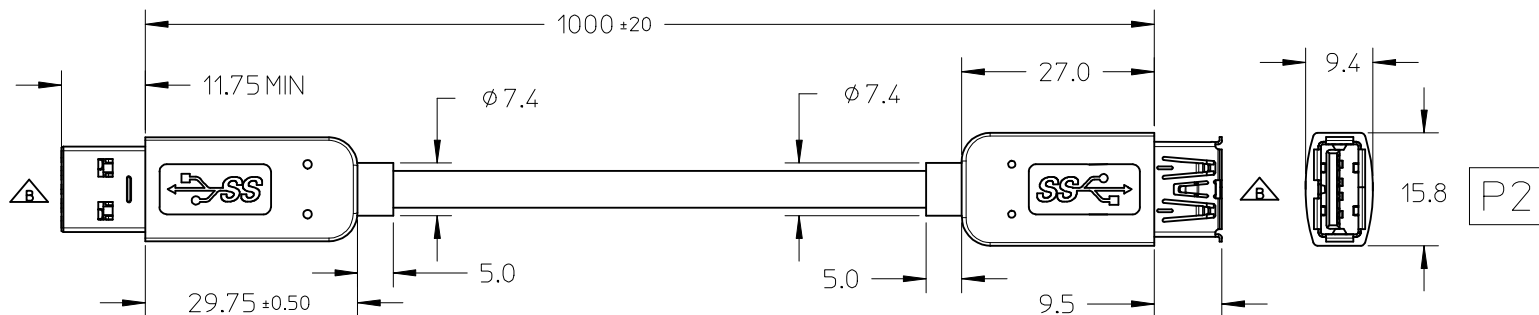
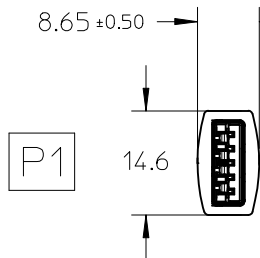
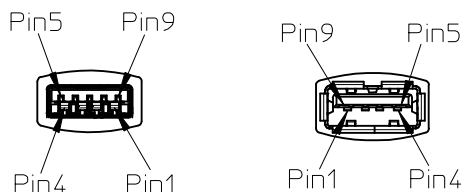
3

2

1

REVISIONS

EC NO	DATE	REV	DESCRIPTION	CHANGER
N/A	2013/12/17	A	INITIAL RELEASE.	IFEI
CY14-6253	2014/03/10	B	TO MODIFY THE CHARACTERISTIC OF CONNECTORS.	IFEI



SEE NOTE INNERMOLD OUTERMOLD

SEE NOTE INNERMOLD OUTERMOLD

P1	SIGNAL NAME	WIRE COLOR	P2
1	VBUS	RED	1
2	D-	WHITE	2
3	D+	GREEN	3
4	GND	BLACK	4
5	Std_SSRX-	BLUE	5
6	Std_SSRX+	YELLOW	6
7	GND_DRAIN	GND_DRAIN	7
8	Std_SSTX-	PURPLE	8
9	Std_SSTX+	ORANGE	9
SHELL	SHIELD	BRAID	SHELL

ITEM	DESCRIPTION	L(MM)	QTY
H	USB3.0 STD A COPPER FOIL		1
G	USB 3.0 STD A FEMALE CONNECTOR		1
F	HST F 1.5MM 125C (UL) BLK HF	A/R	
E	USB 3.0 CABLE, HF	A/R	
D	PRE-CUT COPPER FOIL 25*5		1
C	FRONT METAL FOR STD A PLUG		1
B	USB 3.0 STD A CONNECTOR ASSY		1
A	REAR METAL FOR STD A PLUG		1

<b>SEE REVISIONS</b> EC NO: CPG2014-2620 DRWN: IFEI CHKD: APPR: RTSAI	2014/02/25 2014/03/11	DESCRIPTION QUALITY SYMBOLS $\nabla = 0$ $\nabla = 0$ $\nabla = 0$	GENERAL TOLERANCES (UNLESS SPECIFIED)		DIMENSION STYLE <b>MM ONLY</b>		SCALE <b>1:1</b>	DESIGN UNITS <b>METRIC</b>	THIRD ANGLE PROJECTION		
					DRAWN BY DATE IFEI 2014/01/16		TITLE <b>USB 3.0 A MALE TO FEMALE 1M HF VERSION</b>				
					CHECKED BY DATE		APPROVED BY DATE RTSAI 2014/01/17				
					ANGULAR ± 3 °		MATERIAL NO. <b>687890021</b>				

DRAFT WHERE APPLICABLE MUST REMAIN WITHIN DIMENSIONS

SIZE A4

THIS DRAWING CONTAINS INFORMATION THAT IS PROPRIETARY TO MOLEX INCORPORATED AND SHOULD NOT BE USED WITHOUT WRITTEN PERMISSION

6

5

4

3

2

1

**NOTE:**

**1. OVERMOLDING SPECIFICATION:**

- 1.1 INNER MOLDING: PE RESIN
- 1.2 OUTER MOLDING: TPE RESIN

**2. APPLICATION CONDITION**

- 2.1 WORKING TEMPERATURE: 0° — +50°
- 2.2 STORAGE TEMPERATURE: -20° — +60°

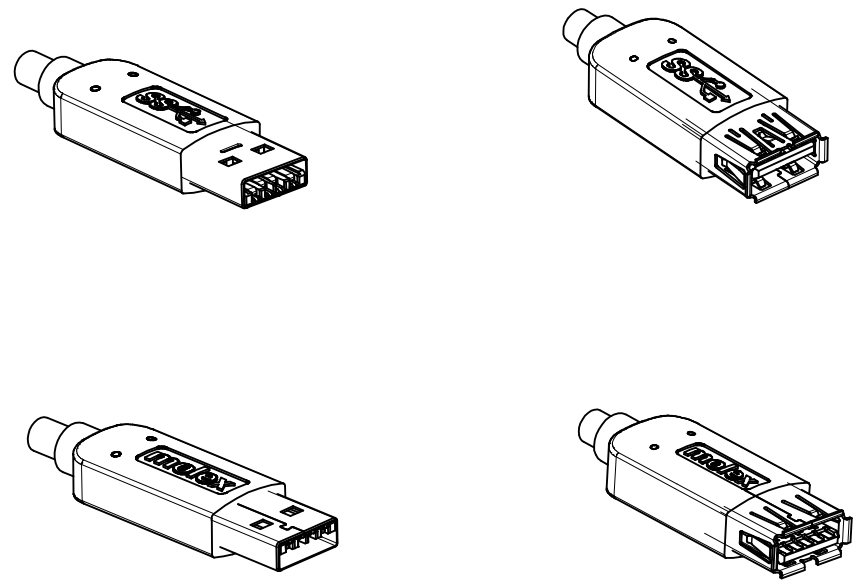
**3. MECHANICAL PERFORMACNE**

- 3.1. CABLE ASSLY CAN PASS FLEXING TEST IN 100 CYCLES AT EACH OF 2 PLANES, PER EIA364-41 CONDITION I.
- 3.2. CABLE ASSEMBLY SR AREA SHOULD WITHSTAND A PULL FORCE 40N FOR ONE MINUTE WITHOUT COSMETIC AND FUNCTION DAMAGE.

**4. ELECTRICAL PERFORMACNE**

- 4.1 CURRENT RATING: 1.8A FOR POWER WIRE/ 0.25A FOR SIGNAL WIRE
- 4.2 VOLTAGE RATING: 30V AC

**5. THIS PRODUCT MUST MEET THE EU RoHS CHEMICAL SUBSTANCES SPECIFICATION FOR PRODUCTS ( 2011/65/EU ).**



SEE REVISIONS EC NO: CPG2014-2620 DRWN: IFEI CHKD: APPR: RTSAI	2014/02/25 2014/03/11	DESCRIPTION REV	QUALITY SYMBOLS	GENERAL TOLERANCES (UNLESS SPECIFIED)		DIMENSION STYLE MM ONLY		SCALE 1:1	DESIGN UNITS METRIC	THIRD ANGLE PROJECTION			
			$\nabla_F = 0$ $\nabla_F = 0$ $\nabla_F = 0$				DRAWN BY IFEI	DATE 2014/01/16	TITLE USB 3.0 A MALE TO FEMALE 1M HF VERSION				
				4 PLACES	± ---	± ---	CHECKED BY	DATE					
				3 PLACES	± ---	± ---	APPROVED BY RTSAI		DATE 2014/01/17		<div style="text-align: center; font-weight: bold; font-size: 1.5em;">molex</div> DOCUMENT NO. SD-68789-013		
				2 PLACES	± 0.25	± ---							
1 PLACE	± 0.5	± ---	MATERIAL NO. 687890021		SHEET NO. 2 OF 2		THIS DRAWING CONTAINS INFORMATION THAT IS PROPRIETARY TO MOLEX INCORPORATED AND SHOULD NOT BE USED WITHOUT WRITTEN PERMISSION						
0 PLACE	± ---	± ---											
ANGULAR ± 3 ° DRAFT WHERE APPLICABLE MUST REMAIN WITHIN DIMENSIONS				SIZE A4									

7

6

5

4

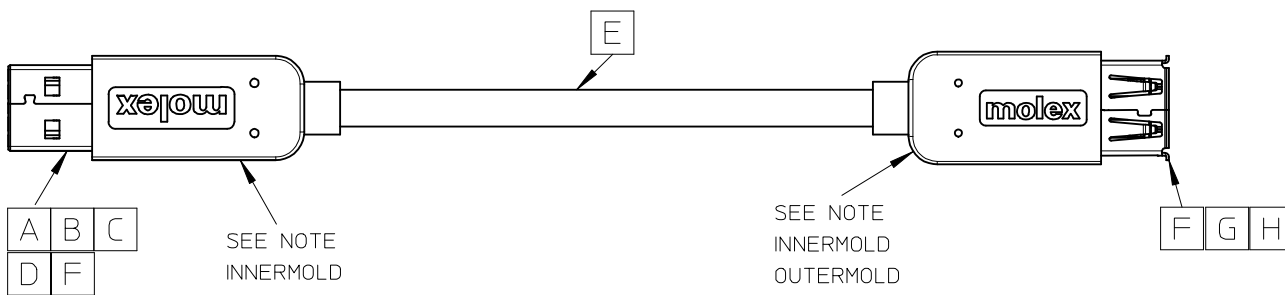
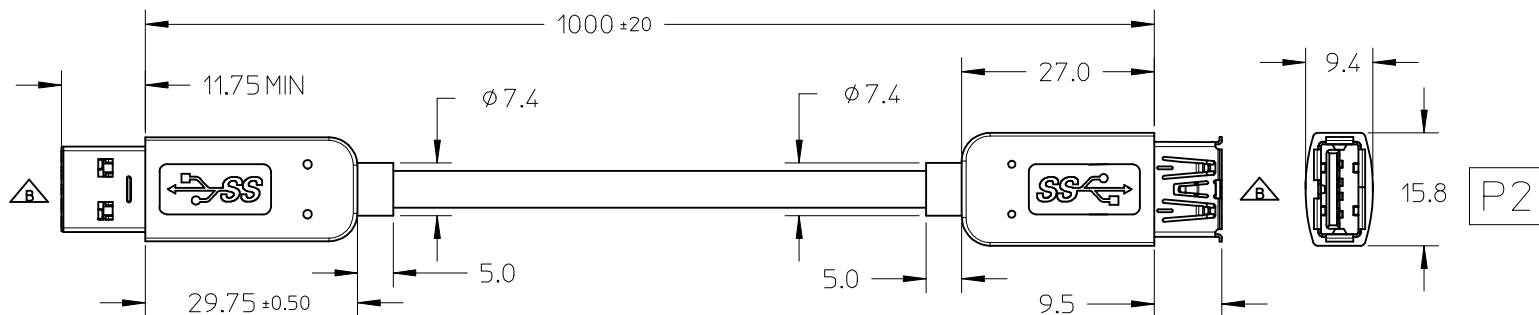
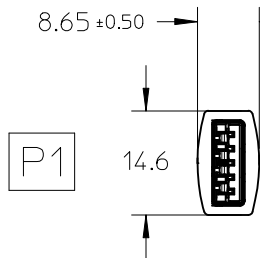
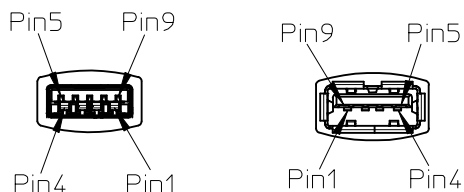
3

2

1

REVISIONS

EC NO	DATE	REV	DESCRIPTION	CHANGER
N/A	2013/12/17	A	INITIAL RELEASE.	IFEI
CY14-6253	2014/03/10	B	TO MODIFY THE CHARACTERISTIC OF CONNECTORS.	IFEI



SEE NOTE INNERMOLD OUTERMOLD

SEE NOTE INNERMOLD OUTERMOLD

P1	SIGNAL NAME	WIRE COLOR	P2
1	VBUS	RED	1
2	D-	WHITE	2
3	D+	GREEN	3
4	GND	BLACK	4
5	Std_SSRX-	BLUE	5
6	Std_SSRX+	YELLOW	6
7	GND_DRAIN	GND_DRAIN	7
8	Std_SSTX-	PURPLE	8
9	Std_SSTX+	ORANGE	9
SHELL	SHIELD	BRAID	SHELL

ITEM	DESCRIPTION	L(MM)	QTY
H	USB3.0 STD A COPPER FOIL		1
G	USB 3.0 STD A FEMALE CONNECTOR		1
F	HST F 1.5MM 125C (UL) BLK HF	A/R	
E	USB 3.0 CABLE, HF	A/R	
D	PRE-CUT COPPER FOIL 25*5		1
C	FRONT METAL FOR STD A PLUG		1
B	USB 3.0 STD A CONNECTOR ASSY		1
A	REAR METAL FOR STD A PLUG		1

<b>SEE REVISIONS</b> EC NO: CPG2014-2620 DRWN: IFEI CHKD: APPR: RTSAI	QUALITY SYMBOLS 	GENERAL TOLERANCES (UNLESS SPECIFIED)		DIMENSION STYLE <b>MM ONLY</b>		SCALE <b>1:1</b>	DESIGN UNITS <b>METRIC</b>	<b>THIRD ANGLE PROJECTION</b>		
		4 PLACES ± --- ± --- 3 PLACES ± --- ± --- 2 PLACES ± 0.25 ± --- 1 PLACE ± 0.5 ± --- 0 PLACE ± --- ± ---		DRAWN BY DATE IFEI 2014/01/16		TITLE <b>USB 3.0 A MALE TO FEMALE 1M HF VERSION</b>				
		APPROVED BY DATE RTSAI 2014/01/17		MATERIAL NO. <b>687890021</b>		DOCUMENT NO. <b>SD-68789-013</b>				
		ANGULAR ± 3 ° DRAFT WHERE APPLICABLE MUST REMAIN WITHIN DIMENSIONS		SIZE 		THIS DRAWING CONTAINS INFORMATION THAT IS PROPRIETARY TO MOLEX INCORPORATED AND SHOULD NOT BE USED WITHOUT WRITTEN PERMISSION				

6

5

4

3

2

1

**NOTE:**

**1. OVERMOLDING SPECIFICATION:**

- 1.1 INNER MOLDING: PE RESIN
- 1.2 OUTER MOLDING: TPE RESIN

**2. APPLICATION CONDITION**

- 2.1 WORKING TEMPERATURE: 0° — +50°
- 2.2 STORAGE TEMPERATURE: -20° — +60°

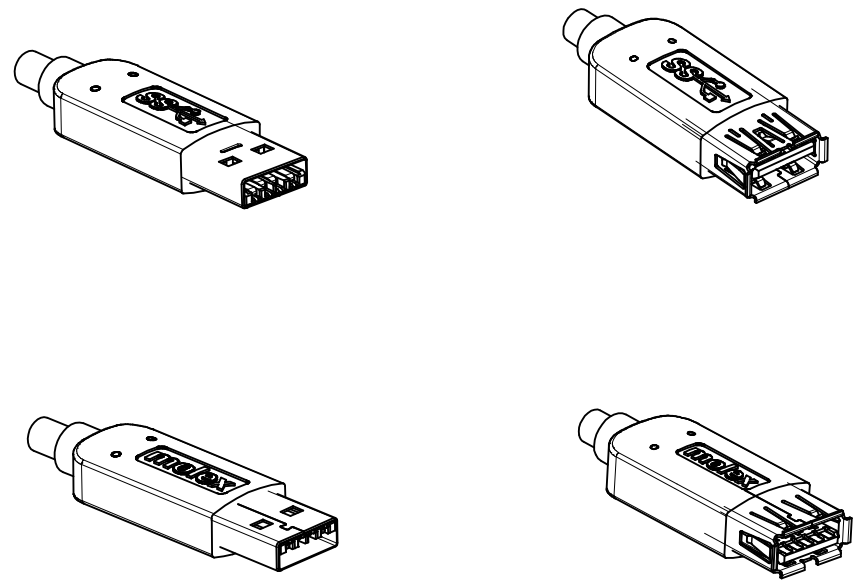
**3. MECHANICAL PERFORMACNE**

- 3.1. CABLE ASSLY CAN PASS FLEXING TEST IN 100 CYCLES AT EACH OF 2 PLANES, PER EIA364-41 CONDITION I.
- 3.2. CABLE ASSEMBLY SR AREA SHOULD WITHSTAND A PULL FORCE 40N FOR ONE MINUTE WITHOUT COSMETIC AND FUNCTION DAMAGE.

**4. ELECTRICAL PERFORMACNE**

- 4.1 CURRENT RATING: 1.8A FOR POWER WIRE/ 0.25A FOR SIGNAL WIRE
- 4.2 VOLTAGE RATING: 30V AC

**5. THIS PRODUCT MUST MEET THE EU RoHS CHEMICAL SUBSTANCES SPECIFICATION FOR PRODUCTS ( 2011/65/EU ).**



SEE REVISIONS EC NO: CPG2014-2620 DRWN: IFEI CHKD: APPR: RTSAI	2014/02/25 2014/03/11	DESCRIPTION REV	QUALITY SYMBOLS	GENERAL TOLERANCES (UNLESS SPECIFIED)		DIMENSION STYLE MM ONLY		SCALE 1:1	DESIGN UNITS METRIC	THIRD ANGLE PROJECTION		
			▽Fa=0	4 PLACES	mm	INCH	DRAWN BY IFEI	DATE 2014/01/16	TITLE USB 3.0 A MALE TO FEMALE 1M HF VERSION			
			▽Fg=0	3 PLACES			CHECKED BY	DATE				
			▽Fb=0	2 PLACES	±0.25	±---	APPROVED BY RTSAI		DATE 2014/01/17		<div style="font-size: 2em; font-weight: bold; text-align: center;">molex</div>	
				1 PLACE	±0.5	±---						
	0 PLACE	±---	±---	MATERIAL NO. 687890021		DOCUMENT NO. SD-68789-013		SHEET NO. 2 OF 2				
DRAFT WHERE APPLICABLE MUST REMAIN WITHIN DIMENSIONS				ANGULAR ± 3 °		THIS DRAWING CONTAINS INFORMATION THAT IS PROPRIETARY TO MOLEX INCORPORATED AND SHOULD NOT BE USED WITHOUT WRITTEN PERMISSION						