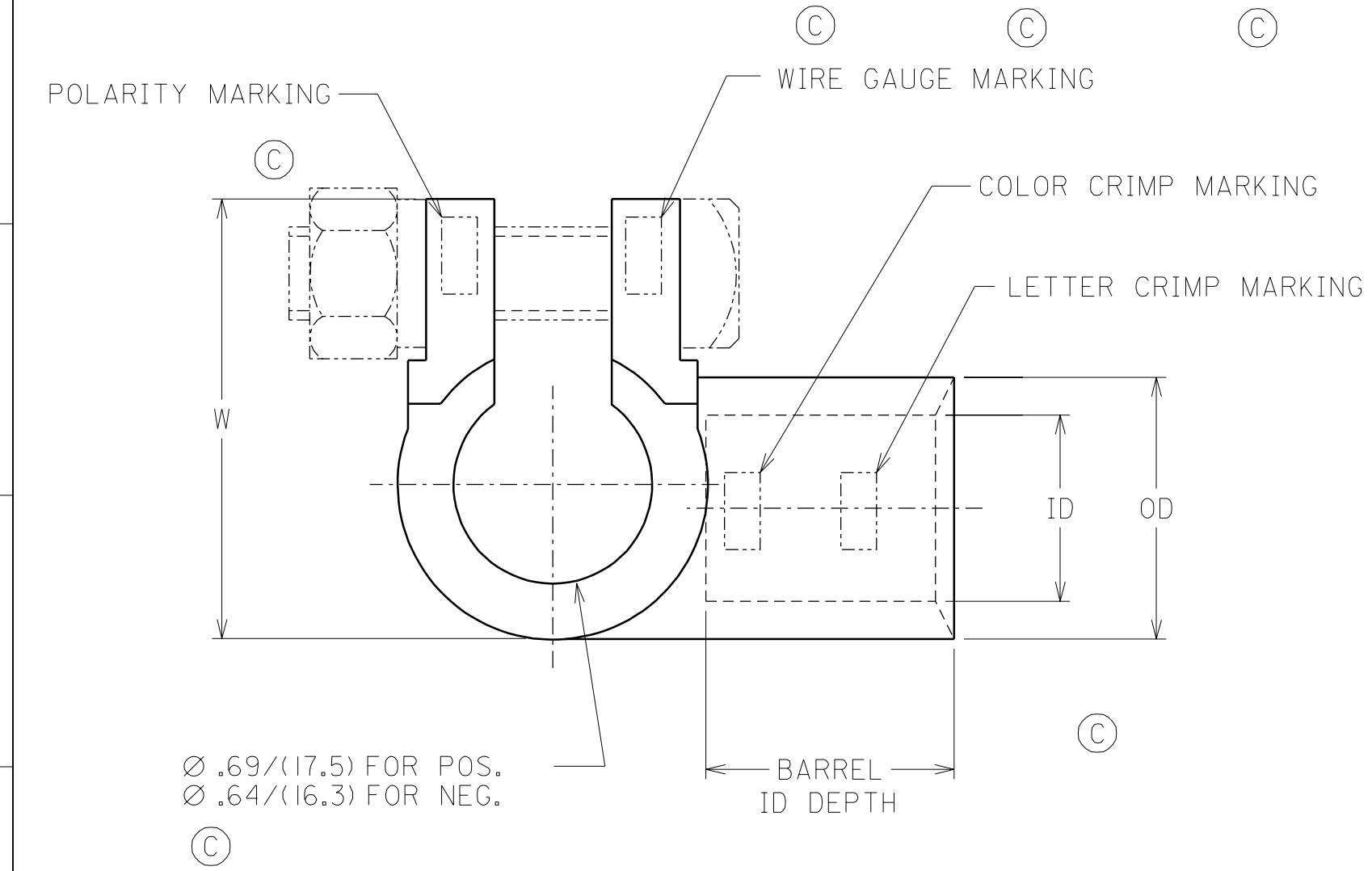
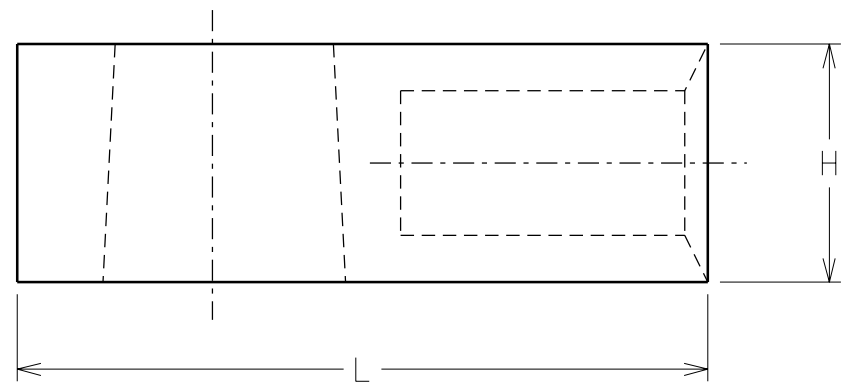


MATERIAL NUMBER NEGATIVE	MATERIAL NUMBER POSITIVE	WIRE GAUGE MARKING	COLOR CRIMP MARKING	BARREL ID	BARREL OD	BARREL ID DEPTH	L +.060, -.010 (+1.52, -0.25)	H	W
192180035	192180036	2	GREEN	.34/(8.6)	.55/(14.0)	1.16/(29.5)	2.07/(52.6)	.65/(16.5)	1.40/(35.6)
192180033	192180034	1	PINK	.39/(9.9)	.55/(14.0)	1.16/(29.5)	2.07/(52.6)	.65/(16.5)	1.40/(35.6)
192180037	192180038	1/0	BLACK	.47/(11.9)	.65/(16.5)	1.16/(29.5)	2.07/(52.6)	.65/(16.5)	1.50/(38.1)
192180039	192180040	2/0	ORANGE	.50/(12.7)	.65/(16.5)	1.16/(29.5)	2.07/(52.6)	.65/(16.5)	1.50/(38.1)
192180041	192180042	3/0	PURPLE	.53/(13.5)	.65/(16.5)	1.16/(29.6)	2.07/(52.6)	.65/(16.5)	1.50/(38.1)
192180043	192180044	4/0	YELLOW	.60/(15.2)	.83/(21.1)	1.07/(27.2)	2.07/(52.6)	.71/(18.0)	1.59/(40.4)
192180045	192180046	6/0	YELLOW	.67/(17.0)	.83/(21.1)	1.07/(27.2)	2.07/(52.6)	.71/(18.0)	1.59/(40.4)



NOTES:
 1. MATERIAL: DIE CAST COPPER.
 2. FINISH: TIN PLATED.
 3. INCLUDES 5/16 BOLT & SHOULDER NUT.

Ø .69/(17.5) FOR POS.
 Ø .64/(16.3) FOR NEG.



SALES DRAWING

EC NO. ETC2002-0324 DRWN: BRE 02/05/20 CHK: HEB 02/05/20 APPR: RWD 02/05/20	QUALITY SYMBOLS MAJOR $\nabla=0$ CRITICAL $\nabla=0$	GENERAL TOLERANCES: (UNLESS SPECIFIED)	SCALE 2:3 DESIGN UNITS <input type="checkbox"/> mm <input checked="" type="checkbox"/> INCH	THIRD ANGLE PROJECTION <input checked="" type="checkbox"/>	DIMENSIONS: <input type="checkbox"/> mm <input checked="" type="checkbox"/> INCH <input type="checkbox"/> mm ONLY	SHT REV
	DESCRIPTION FLIPPED BOLT	4 PLACES ±0. ±. 3 PLACES ±0. ±.015 2 PLACES ±0.38 ±.03 1 PLACE ±0.76 ±.	DRAWN BY & DATE DAY 99/03/11	TITLE: DIE CAST COPPER BATTERY TERMINAL RIGHT ELBOW		
	REV C	ANGULAR: ±1/2°	CHECKED BY & DATE RWD 99/03/11	MOLEX INCORPORATED		
	DRAFT WHERE APPLICABLE MUST REMAIN WITHIN DIMENSIONS	CAD FILENAME SD-19218-004 .DGN	APPROVED BY & DATE RWD 99/03/11	MATERIAL NO. SEE CHART	DRAWING NO. SD-19218-004	SHEET NO. 1 OF 1

THIS DRAWING CONTAINS INFORMATION THAT IS PROPRIETARY TO MOLEX INCORPORATED AND SHOULD NOT BE USED WITHOUT WRITTEN PERMISSION.

SIZE B