

# YHVP1100-1P-90-A-0 ✓ ACTIVE



TE Internal #: YHVP1100-1P-90-A-0

Housing for Male Terminals, 1 Position, Sealable, Orange, Cable Mount (Free-Hanging), -40 – 257 °F [-40 – 125 °C], Key A

[View on TE.com >](#)

Connectors > Automotive Connectors > Automotive Housings



Connector & Housing Type: **Housing for Male Terminals**

Mating Pin Diameter: **11 mm [ .433 in ]**

Number of Positions: **1**

Sealable: **Yes**

Hybrid Connector: **Yes**

## Features

### Product Type Features

Connector Shape	Rectangular
Connector & Housing Type	Housing for Male Terminals
Sealable	Yes
Hybrid Connector	Yes
Primary Locking Feature	Integrated in Housing

### Configuration Features

Number of Positions	1
Number of Rows	1

### Electrical Characteristics

Operating Voltage	750 VDC
Nominal Voltage Architecture	12 V, 24 V, 42 V, 48 V, 80 V, 90 V, 125 V, 240 V, 500 V, 550 V, 600 V

### Body Features

Cable Exit Angle	90°
Primary Product Color	Orange
Connector & Keying Code	A

### Contact Features

Contact Type	Pin
Mating Pin Diameter	11 mm [.433 in]

### Mechanical Attachment

Terminal Position Assurance	Yes
Strain Relief	With
Mating Alignment Type	Keyed
Mating Alignment	With
Connector Mounting Type	Cable Mount (Free-Hanging)

### Housing Features

Housing Material	PA GF
------------------	-------

### Dimensions

Connector Height	49.9 mm[1.96 in]
Product Width	57.7 mm[2.27 in]
Product Length	100.4 mm[3.95 in]

### Usage Conditions

Operating Temperature (Max)	70 °C, 75 °C, 80 °C, 85 °C, 90 °C, 100 °C, 105 °C, 110 °C, 120 °C, 125 °C[158 °F][167 °F][176 °F][185 °F][194 °F][212 °F][221 °F][230 °F][248 °F][257 °F]
Operating Temperature Range	-40 – 125 °C[-40 – 257 °F]

### Industry Standards

Agency/Standard	USCAR-2
-----------------	---------

### Packaging Features

Packaging Quantity	45
Packaging Method	Carton

### Other

Serviceable	No
Connector Position Assurance Capable	Yes

### Product Compliance

[For compliance documentation, visit the product page on TE.com>](#)

EU RoHS Directive 2011/65/EU	Compliant
EU ELV Directive 2000/53/EC	Compliant
China RoHS 2 Directive MIIT Order No 32, 2016	No Restricted Materials Above Threshold
EU REACH Regulation (EC) No. 1907/2006	



Current ECHA Candidate List: JAN 2023 (233)

Candidate List Declared Against: JUNE 2022 (224)

Does not contain REACH SVHC

Halogen Content

Not Yet Reviewed for halogen content

Solder Process Capability

Not reviewed for solder process capability

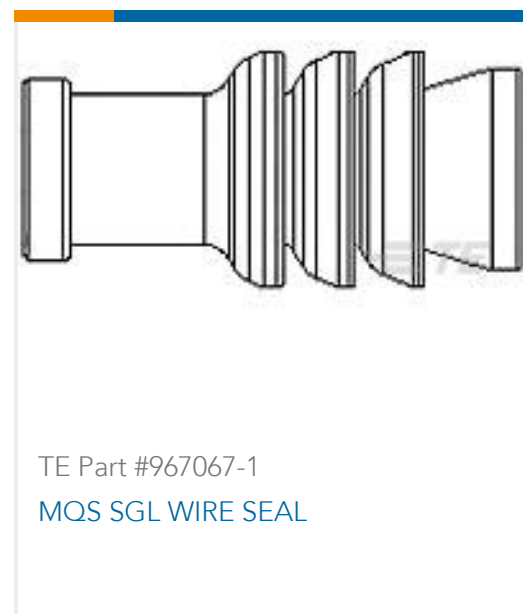
Product Compliance Disclaimer

This information is provided based on reasonable inquiry of our suppliers and represents our current actual knowledge based on the information they provided. This information is subject to change. The part numbers that TE has identified as EU RoHS compliant have a maximum concentration of 0.1% by weight in homogenous materials for lead, hexavalent chromium, mercury, PBB, PBDE, DBP, BBP, DEHP, DIBP, and 0.01% for cadmium, or qualify for an exemption to these limits as defined in the Annexes of Directive 2011/65/EU (RoHS2). Finished electrical and electronic equipment products will be CE marked as required by Directive 2011/65/EU. Components may not be CE marked. Additionally, the part numbers that TE has identified as EU ELV compliant have a maximum concentration of 0.1% by weight in homogenous materials for lead, hexavalent chromium, and mercury, and 0.01% for cadmium, or qualify for an exemption to these limits as defined in the Annexes of Directive 2000/53/EC (ELV). Regarding the REACH Regulations, TE's information on SVHC in articles for this part number is still based on the European Chemical Agency (ECHA) 'Guidance on requirements for substances in articles' (Version: 2, April 2011), applying the 0.1% weight on weight concentration threshold at the finished product level. TE is aware of the European Court of Justice ruling of September 10th, 2015 also known as O5A (Once An Article Always An Article) stating that, in case of 'complex object', the threshold for a SVHC must be applied to both the product as a whole and simultaneously to each of the articles forming part of its composition. TE has evaluated this ruling based on the new ECHA "Guidance on requirements for substances in articles" (June 2017, version 4.0) and will be updating its statements accordingly.

## Compatible Parts

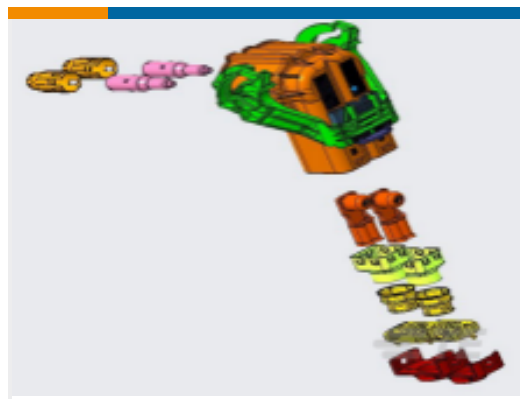


## Customers Also Bought





TE Part #2355146-1  
3POS,IPT,RING TONGUE HSG ASSY,  
SLD



TE Part #YHV800-2P-90-50M-B  
HVP800-2PHI XE,90,50SQMM,KEY B



TE Part #2103177-4  
PLUG ASSY, KEY D, TA,CPA, HVA280-  
2PHI XE



TE Part #2103177-5  
PLUG ASSY, KEY E, TA,CPA, HVA280-  
2PHI XE

## Documents

### Product Drawings

[HVP1100-1phi XE,90,Key A](#)

English

### CAD Files

#### 3D PDF

3D

#### Customer View Model

[ENG\\_CVM\\_CVM\\_YHVP1100-1P-90-A-0\\_A.2d\\_dxf.zip](#)

English

#### Customer View Model

[ENG\\_CVM\\_CVM\\_YHVP1100-1P-90-A-0\\_A.3d\\_igs.zip](#)

English

#### Customer View Model

[ENG\\_CVM\\_CVM\\_YHVP1100-1P-90-A-0\\_A.3d\\_stp.zip](#)

English

By downloading the CAD file I accept and agree to the [Terms and Conditions](#) of use.

### Datasheets & Catalog Pages

[HEMS Sample Kit YHVP1100-1P-90-A-0](#)

English

### Product Specifications

[Application Specification](#)

English