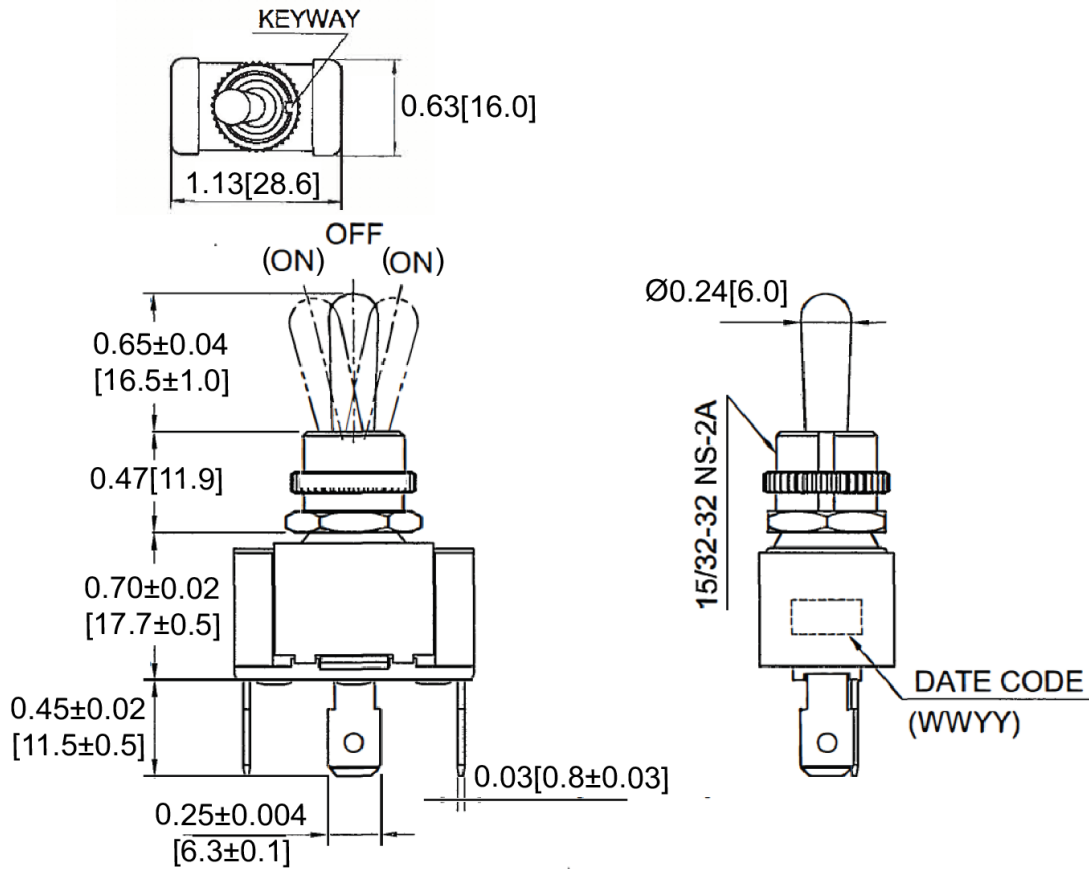
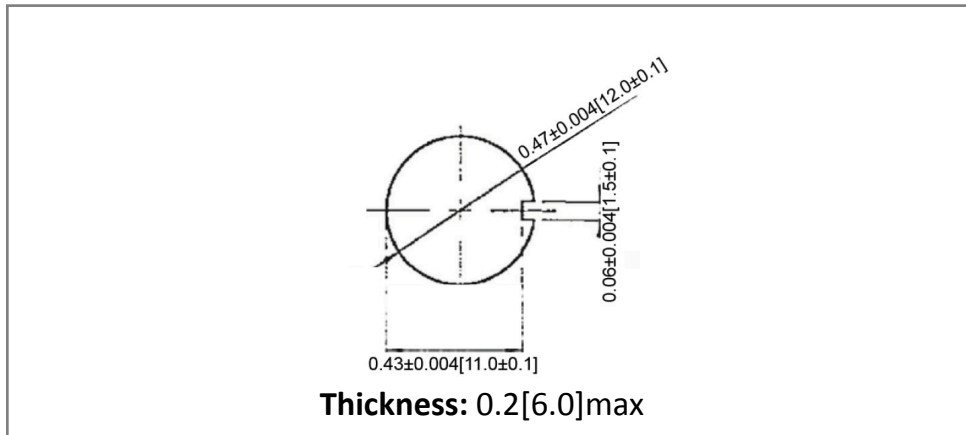


Mechanical Dimensions: Inches [mm]

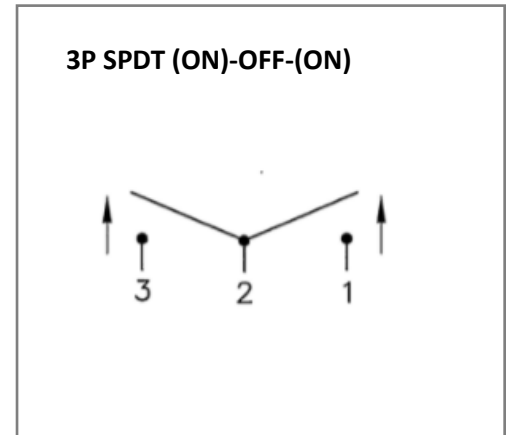
Tolerances ± 0.012 [0.3] Unless Otherwise Specified



Mounting Hole



Circuit Diagram



Electrical Specifications

Rating	12(4)A 125/250V AC 20A 125V AC, 10A 277V AC, 16(4)A 125/250V AC	3/4HP 125-250V AC
Contact Resistance	50m ohm Max	
Insulation Resistance	DC 500V 100M ohm Min	
Dielectric Strength	AC 1500V 1 minute	
Operation Temperature	-20°C ~ 85°C	

Material Specifications

Operation Force	1500gf \pm 300 gf
	1 hex nut assy
	1 knurl nut assy
	1 Internal O-Ring

Rev **Date of issue** **Revision Notes**

Designed **Approved**

B	02-13-2020	Initial Drawing	RC	OF
---	------------	-----------------	----	----