

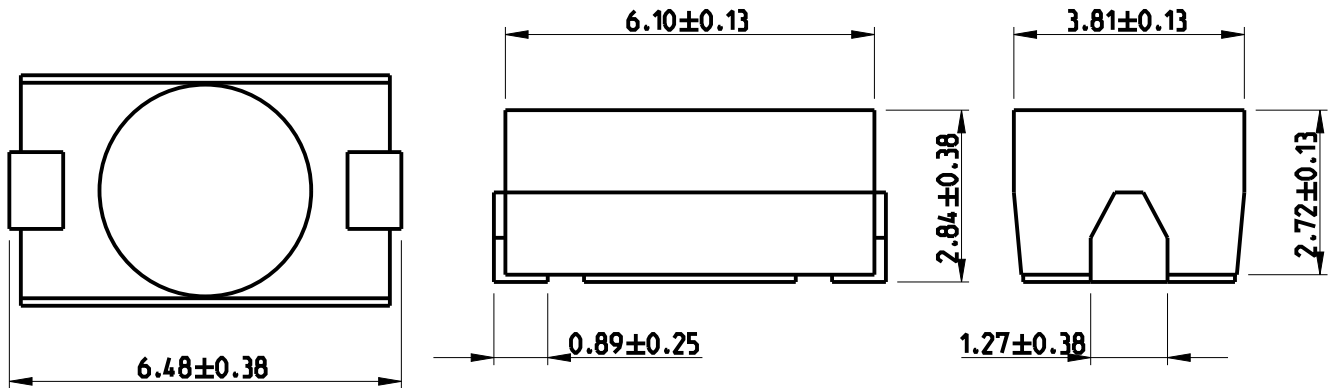
REVISIONS

| P | LTR | DESCRIPTION | DATE | DWN | APVD |
|---|-----|---------------|--------------|-----|------|
| | BA | NEW RELEASE | 10 JULY 2010 | PT | SI.P |
| | BA1 | ECR-13-018622 | 28 NOV 2013 | KR | TN |
| | BB | ECR-14-002163 | 17 FEB 2014 | KR | TN |

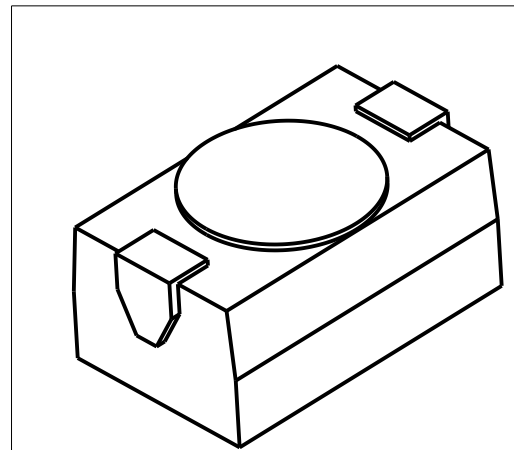
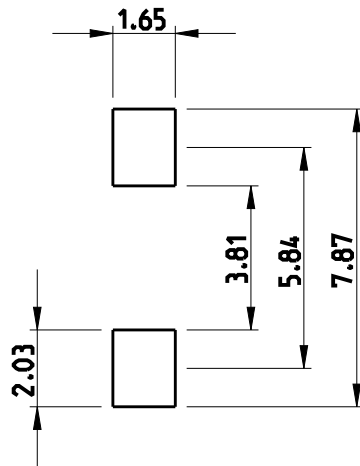
NOTE:

1. Terminal Finish - Hot Dipped Sn. Min 5µM

FOR FURTHER INFORMATION SEE DATA SHEET FOR SERIES S - SMD MOULDED POWER RESISTOR



RECOMMENDED LAND PATTERN



2008

RELEASED FOR PUBLICATION

ALL RIGHTS RESERVED.

BY -

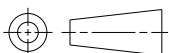
© COPYRIGHT 2008

DIMENSIONS:

mm

TOLERANCES UNLESS OTHERWISE SPECIFIED:

| | |
|--------|------|
| 0 PLC | ±0.2 |
| 1 PLC | ±0.1 |
| 2 PLC | ± |
| 3 PLC | ± |
| 4 PLC | ± |
| ANGLES | ±5° |



DWN PARUSURAM.T 10 JULY 2010

CHK ALLAN.P 10 JULY 2010

APVD STEPHEN.P 10 JULY 2010

PRODUCT SPEC

APPLICATION SPEC

WEIGHT -

Customer Drawing

MATERIAL -

FINISH -



TE Connectivity

NAME

SMD MOULDED POWER RESISTOR SERIES SP1

SIZE

CAGE CODE

DRAWING NO

RESTRICTED TO

A 4

00779

C-1624280

-

SCALE

8:1

SHEET

1 OF 1

REV

BB