

MATERIAL

Weldable black-oxide steel.

ROTATING PINS

Hardened, black-oxide and ground steel.

SUPPORT BUSHING

Hardened, black-oxide and ground steel.

ADJUSTING SCREW AND NUT

Zinc-plated steel.

FEATURES AND APPLICATIONS

MGB.L toggle-joint mechanisms are suitable for a wide range of applications as different parts and accessories can be welded together to create a customised toggle clamp that is able to satisfy all clamping requirements.

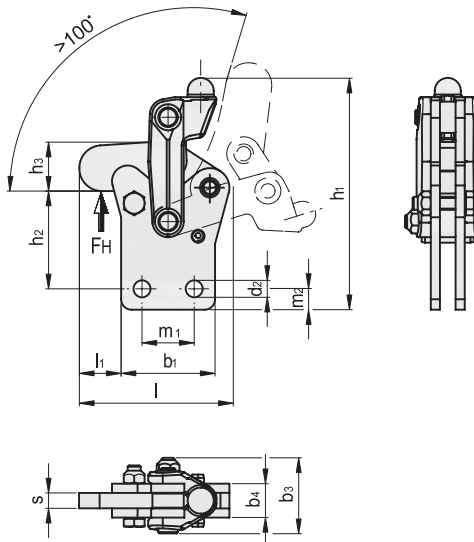
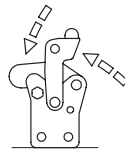
High-quality materials make Long Life series toggle clamps suitable for medium to heavy loads on welding jigs, carpentry works, moulds and in general whenever high clamping torque and repetitive movements are required.

Certified for 1.000.000 cycles.

ACCESSORIES ON REQUEST

ALL. (see page 1613)

- Handle;
- control lever;
- clamping lever;
- sleeve;
- base.



METRIC

Code	Description	b1	b3	b4	d2	h1	h2	h3	l	l1	m1	m2	s	FH [N]*	⚖
GG.AA705	MGB.LSG01	36	29	13	6.5	89	37.5	17.5	57.5	16	20	8	6	2200	256
GG.AA730	MGB.LSG02	54	42.5	20	8.5	140.5	59.5	28	85.5	20	30	10	10	4400	967
GG.AA755	MGB.LSG03	75	52	24	10.5	180	78	35	115	28	55	10	12	8500	1900
GG.AA780	MGB.LSG04	90	68	32	12.5	222	93.5	40	147.5	40.5	65	12.5	16	15400	4185

* Holding force.

