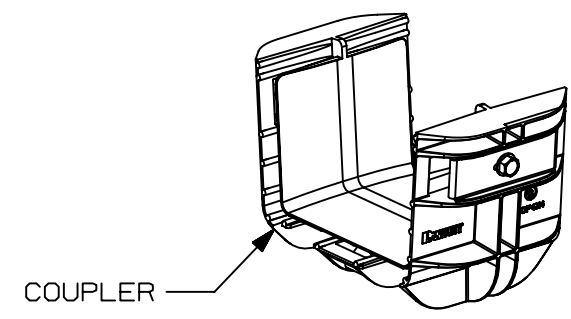
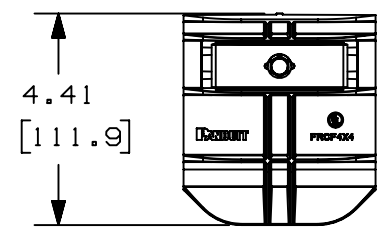
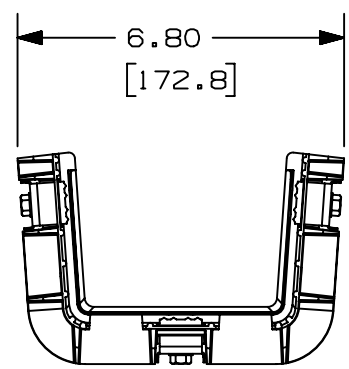
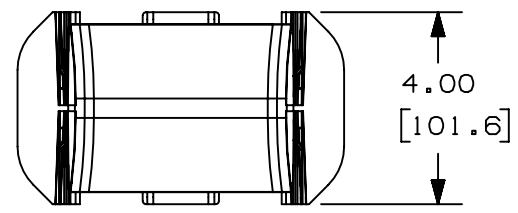


THIS COPY IS PROVIDED ON A RESTRICTED BASIS AND IS NOT TO BE USED IN ANY WAY DETRIMENTAL TO THE INTERESTS OF PANDUIT CORP.

NOTES:

1. SEE CURRENT CATALOG FOR ADDITIONAL PART SUFFIXES TO INDICATE COLOR AND/OR PACKAGE QUANTITY.
2. DIMENSIONS IN PARENTHESES ARE IN METRIC.
3. PARTS SUPPLIED:
(1) - COUPLER



| PANDUIT PART NUMBER | WEIGHT | MATERIAL |
|---------------------|-----------------------------|----------|
| FRBC4X4** | 0.71 LB/EACH (322g/EACH) | ABS |
| FRBC4X4L** | 0.71 LB/EACH (322g/EACH) | PC/ABS |

B

B

A

A

| REV | DATE | BY | CHK | APR | DESCRIPTION | ECN |
|-----|----------|----------|------|-----|---|-------------|
| 04B | 8/31/20 | MEX-JAGC | DWR | DWR | ADDED PART NUMBER | V09002DZ/11 |
| 4 | 02-20-13 | JBN | RTFI | RN | J. UPDATED DRAWING BORDER & TITLE BLOCK | 37847-50 |

| | | | |
|--------------------|----------|---|-------|
| TITLE | | FIBERRUNNER 4X4 QUIKLOCK COUPLER (FRBC4X4**, FRBC4X4L**) CUSTOMER DRAWING | |
| ITEM REVISION NAME | | | |
| D37847CT/03 | | | |
| DATASET FILE NAME | | | |
| D37847CT_DC/03C | | MATERIAL: | |
| | | SEE PART NUMBER TABLE ABOVE | |
| | | DRAWING NUMBER: | |
| | | 37847-50 | |
| DRAWN BY | DATE | CHK | SCALE |
| JHNU | 07-13-01 | DJWA | NONE |
| | | THIRD ANGLE PROJECTION | |
| | | SHT 1 OF 1 | |
| | | SIZE | |
| | | A | |