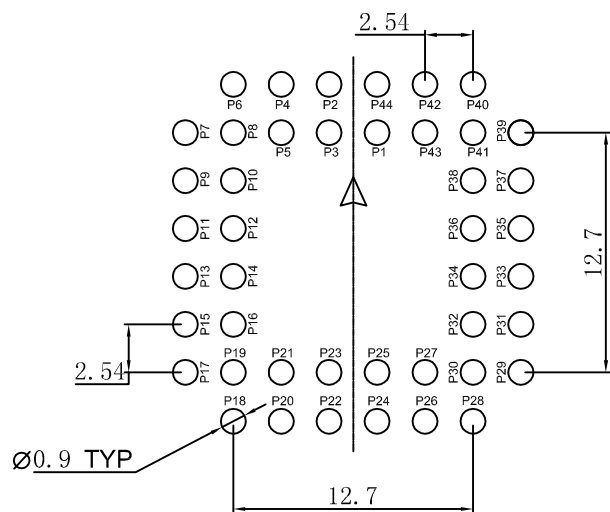
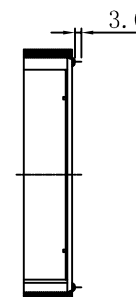
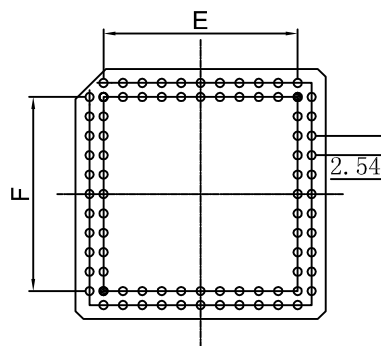


Insulator Material:PBT &40%Class Fiber(UL 94V-0)  
 Contact Resistance:30MΩ MAX at DC 100MA  
 Current Rating: 1 AMP  
 Dielectric Withstanding Voltage:AC 500V For 1 minute  
 Temperayure Rating:-55C~+105C  
 Contact Material:Phosphor Bronze.Tin Plated

NO OF CONTACT	A±0.15	B±0.15	C±0.15	D±0.15	E±0.15	F±0.15
20 <sub>PBT</sub>	15.50	15.50	5.08	5.08	5.08	5.08
28 <sub>PBT</sub>	18.04	18.04	7.62	7.62	7.62	7.62
32 <sub>PBT</sub>	18.04	20.54	7.62	10.16	7.62	10.16
44 <sub>PBT</sub>	23.48	23.48	12.70	12.70	12.70	12.70
52 <sub>PBT</sub>	25.88	25.88	15.24	15.24	15.24	15.24
68 <sub>PBT</sub>	31.66	31.66	20.32	20.32	20.32	20.32
84 <sub>PBT</sub>	36.66	36.66	25.40	25.40	25.40	25.40



PCB LAYOUT(CIRCUIT CONFIGURATION)

RoHS Compliant



THESE DRAWINGS AND SPECIFICATIONS ARE THE PROPERTY OF ON-SHORE TECHNOLOGY, INC. AND SHALL NOT BE REPRODUCED, COPIED OR USED IN ANY MANNER WITHOUT THE PRIOR WRITTEN CONSENT OF ON-SHORE TECHNOLOGY, INC.

TITLE		PLCC Socket - thru hole			
PART NO.	EDO-XXPLCZ	replace XX with contacts	DWG NO.	EDO-XXPLCZ.DWG	
APPROVED	CHECKED	DESIGNED	DRAWN	CUST NO.	1200
Wilson 2009.11.11	Wilson 2009.11.11	Tony 2009.11.11	Tony 2009.11.11		Tolerance
					X. ±0.30
				UNIT: mm	X.X ±0.20
				SCALE: NONE	X.XX ±0.10
				SHEET: 01/01	X° ±1°