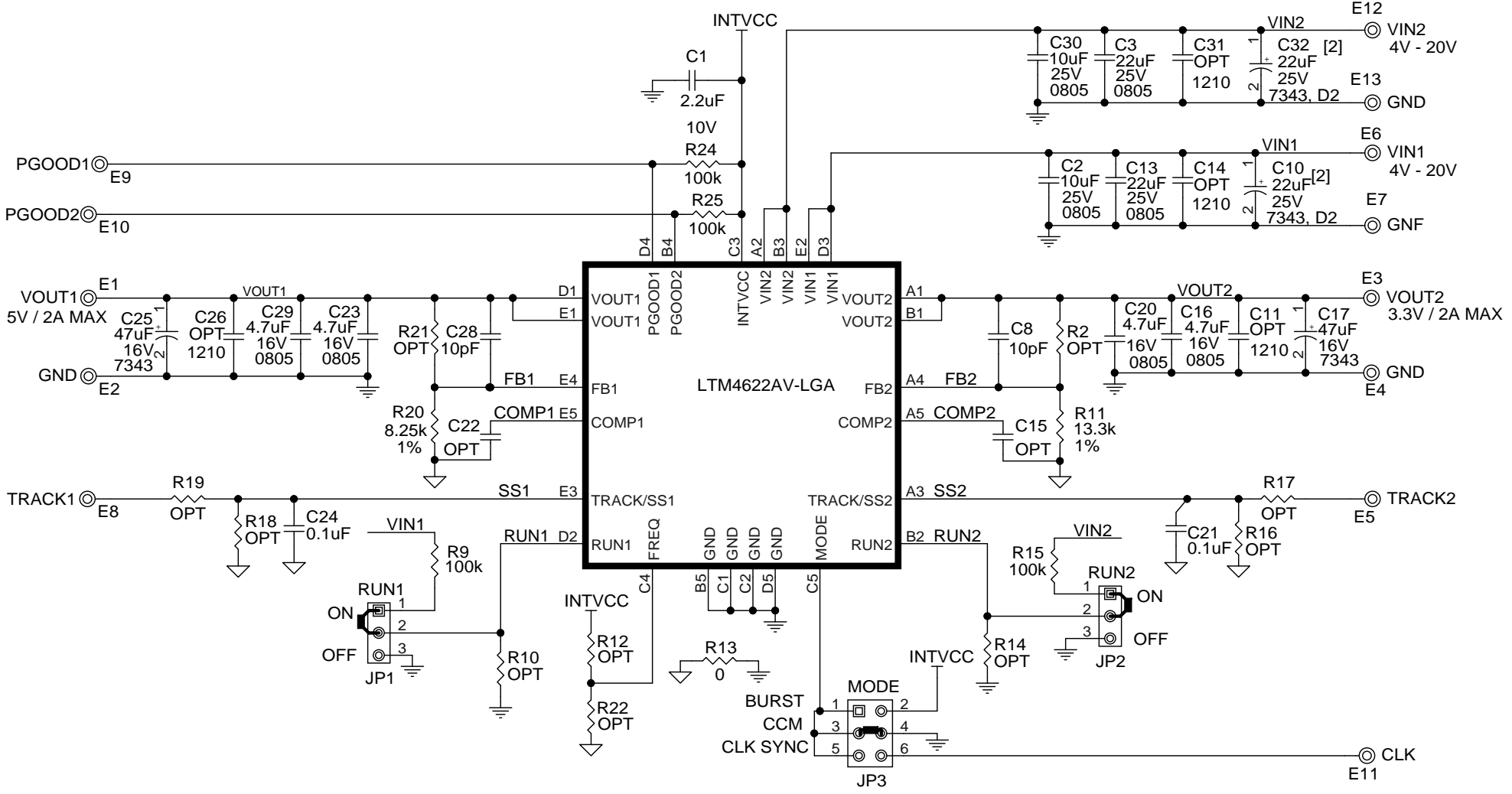
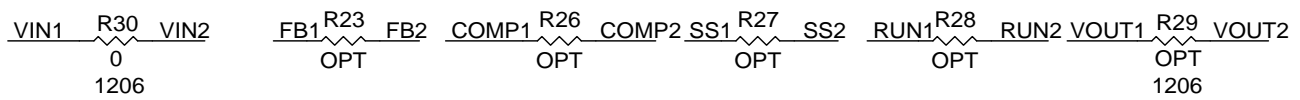


REVISION HISTORY				
ECO	REV	DESCRIPTION	DATE	APPROVED
	2	PROD	09/16/16	<i>gaj</i>



OPTIONAL JUMPERS FOR PARALLEL OPERATION



NOTE: UNLESS OTHERWISE SPECIFIED

- ALL RESISTORS AND CAPACITORS ARE 0603
- C10, C32 ARE OPTIONAL CAPACITOR. IT IS INSERTED TO DAMPEN THE (POSSIBLE) RINGING VOLTAGE DUE TO LONG INPUT LEADS. ON A NORMAL, TYPICAL PCB, WITH SHORT TRACES, THE CAPACITOR IS NOT NEEDED.
- IF VIN1, VIN2 USE SEPARATE SUPPLIES, VIN1 ≥ 3.6V IS REQUIRED IN ORDER TO ENABLE VOUT2 CHANNEL

CUSTOMER NOTICE

LINEAR TECHNOLOGY HAS MADE A BEST EFFORT TO DESIGN A CIRCUIT THAT MEETS CUSTOMER-SUPPLIED SPECIFICATIONS; HOWEVER, IT REMAINS THE CUSTOMER'S RESPONSIBILITY TO VERIFY PROPER AND RELIABLE OPERATION IN THE ACTUAL APPLICATION. COMPONENT SUBSTITUTION AND PRINTED CIRCUIT BOARD LAYOUT MAY SIGNIFICANTLY AFFECT CIRCUIT PERFORMANCE OR RELIABILITY. CONTACT LINEAR TECHNOLOGY APPLICATIONS ENGINEERING FOR ASSISTANCE.

THIS CIRCUIT IS PROPRIETARY TO LINEAR TECHNOLOGY AND SUPPLIED FOR USE WITH LINEAR TECHNOLOGY PARTS.

APPROVALS

PCB DES. *MS*
APP ENG. *gaj*

IC NO. LTM4622AV

SKU NO. DC2568A

SIZE: N/A SCALE = NONE

1630 McCarthy Blvd.
Milpitas, CA 95035
Phone: (408)432-1900 www.linear.com
Fax: (408)434-0507
LTC Confidential-For Customer Use Only

TITLE: DEMO CIRCUIT SCHEMATIC,
DUAL 2A STEP-DOWN μMODULE® REGULATOR

PCA BOM: 700-DC2568A_REV02
PCA ASSY: 705-DC2568A_REV02
SCHEMATIC NO. AND REVISION:
710-DC2568A_REV02

DATE: Monday, October 03, 2016
SHEET 1 OF 1