

MATERIALS & SPECIFICATIONS

PART NO.	A24001-012	REV	ECO	DATE	APP
		E	102048	11-03-15	TLM

INSULATOR:

POLYPHENYLENE SULFIDE (PPS)
PER MIL-M-24519, TYPE GST
40F.

CONTACT:

BERYLLIUM COPPER PER ASTM
B194, C17200. GOLD PLATED
PER ASTM B488, (HARD GOLD)
TYPE II CODE C CLASS 1.27.

TERMINATION:

SOLDER COATED WITH SN63A PER
J-STD-006 OR AMS-P-81728.

LATCH BOX:

BERYLLIUM COPPER PER ASTM
B194 NICKEL PLATE PER SAE-
AMS-2404.

CURRENT CAPACITY:

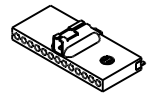
3 AMP MAX.

CONTACT RESISTANCE:

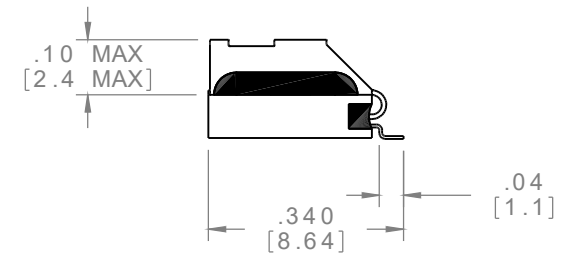
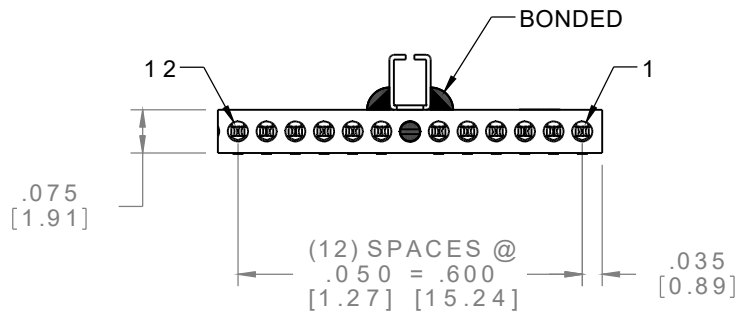
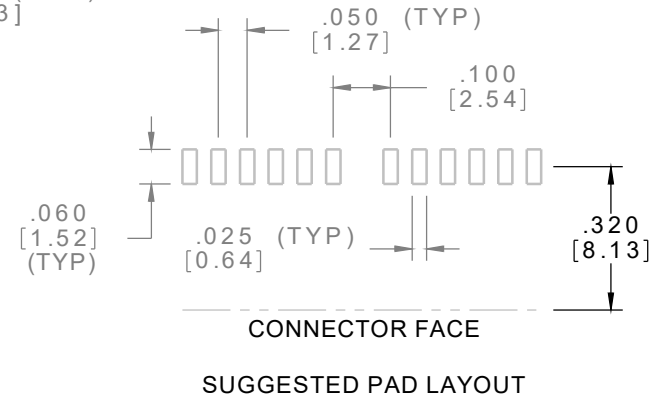
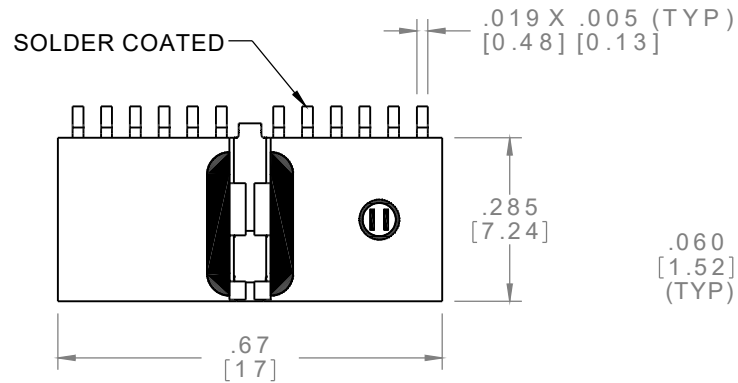
26 MILLIOHMS (65mV) MAX @
2.5 AMPS.

PERFORMANCE:

PRODUCT FAMILY TESTED TO AND
PASSED THE PERFORMANCE
SPECIFICATIONS OF TABLE VII OF
MIL-DTL-83513.



ACTUAL SIZE



NOTE:

DIMENSIONS IN [] ARE IN
MILLIMETERS UNLESS
OTHERWISE NOTED AND ARE
FOR REFERENCE ONLY

PST SLDW	THIRD ANGLE
	-TOLERANCES-
	UNLESS OTHERWISE NOTED
	DIMENSIONS IN INCHES
2	PL DEC ± .01
3	PL DEC ± .005
4	PL DEC ± .0005
ANGLES ± 1°	

THIS DRAWING CONTAINS CONFIDENTIAL AND PROPRIETARY INFORMATION WHICH IS THE PROPERTY OF OMNETICS CONNECTOR CORP. THIS DOCUMENT MAY NOT, IN WHOLE OR IN PART, BE DUPLICATED, OR DISCLOSED FOR ANY PURPOSE, WITHOUT WRITTEN PERMISSION FROM OMNETICS CONNECTOR CORP.		
DFTM. DEL	DATE	TITLE:
CHK'D.	DATE	(12) PIN MALE
APP'D.	DATE	CONNECTOR
		W/LATCH

OMNETICS
CONNECTOR CORPORATION
7260 COMMERCE CIRCLE EAST
MINNEAPOLIS, MN 55432
WWW.OMNETICS.COM

CAGE CODE 61873	
DWG NO. A24001-012	
SHEET 1 OF 1	REV E
SCALE: 3:1	