

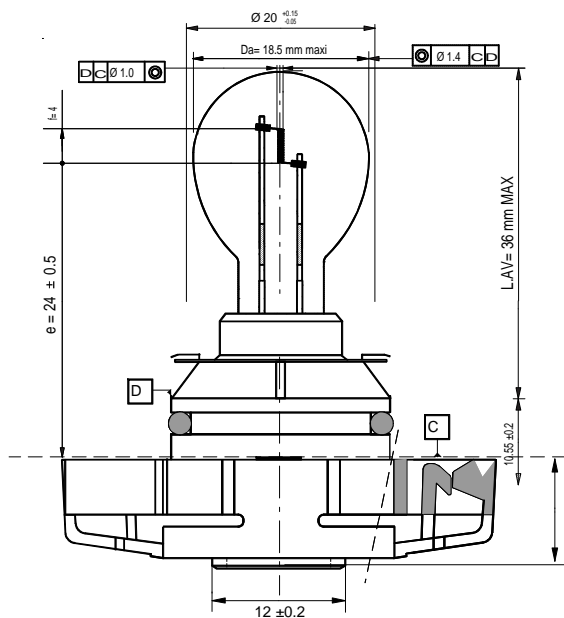


Since 1959

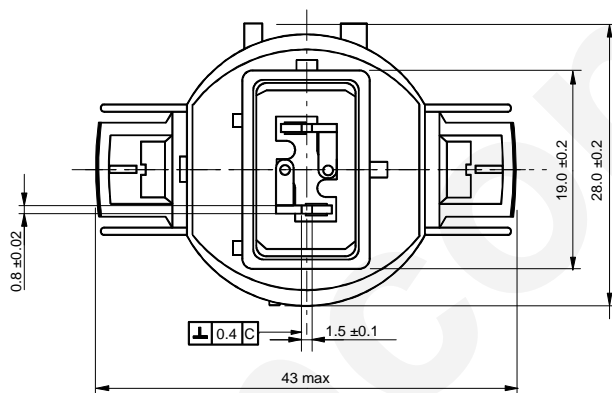
Product Information Sheet
PS24W Fog Light, 24W, 500lm

5202

BULB NOT MANUFACTURED BY CEC INDUSTRIES



Dimensions in mm



Fog Light

Cap : PS24W

C-8Z Straight-axial -"Z" shape

ECE R37 E4 2LW

Made in France, Chartres

Product specifications are subject to modification without prior notice

Photometric values	
Photometry voltage	13,5V DC
Power	24,00 W $\pm 4,1\%$
Luminous flux	300,0 lm $+15/-25\%$
Mechanical values	
Mechanical bulb resistance	40,0 N min.
Reliability	
Life test voltage	13,5V DC
Life test cycle	90/min - 50% - 15"ON/15"OFF (Blinking)
Life :	1 500 h
Resistance to environment	
Maximum permissible bulb temperature	270 °C max.

CEC INDUSTRIES LTD

599 Bond St, Lincolnshire, IL 60069