

THIS DRAWING IS UNPUBLISHED. RELEASED FOR PUBLICATION ,19 .
 © COPYRIGHT 19 BY AMP INCORPORATED, HARRISBURG, PA. ALL INTERNATIONAL RIGHTS RESERVED. AMP PRODUCTS MAY BE COVERED BY U.S. AND FOREIGN PATENTS AND/OR PATENTS PENDING.

LOC DIST
 CE 16

P F

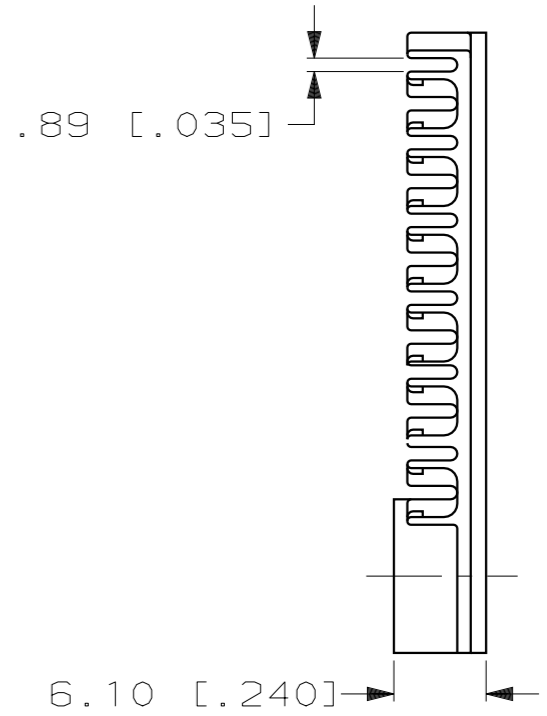
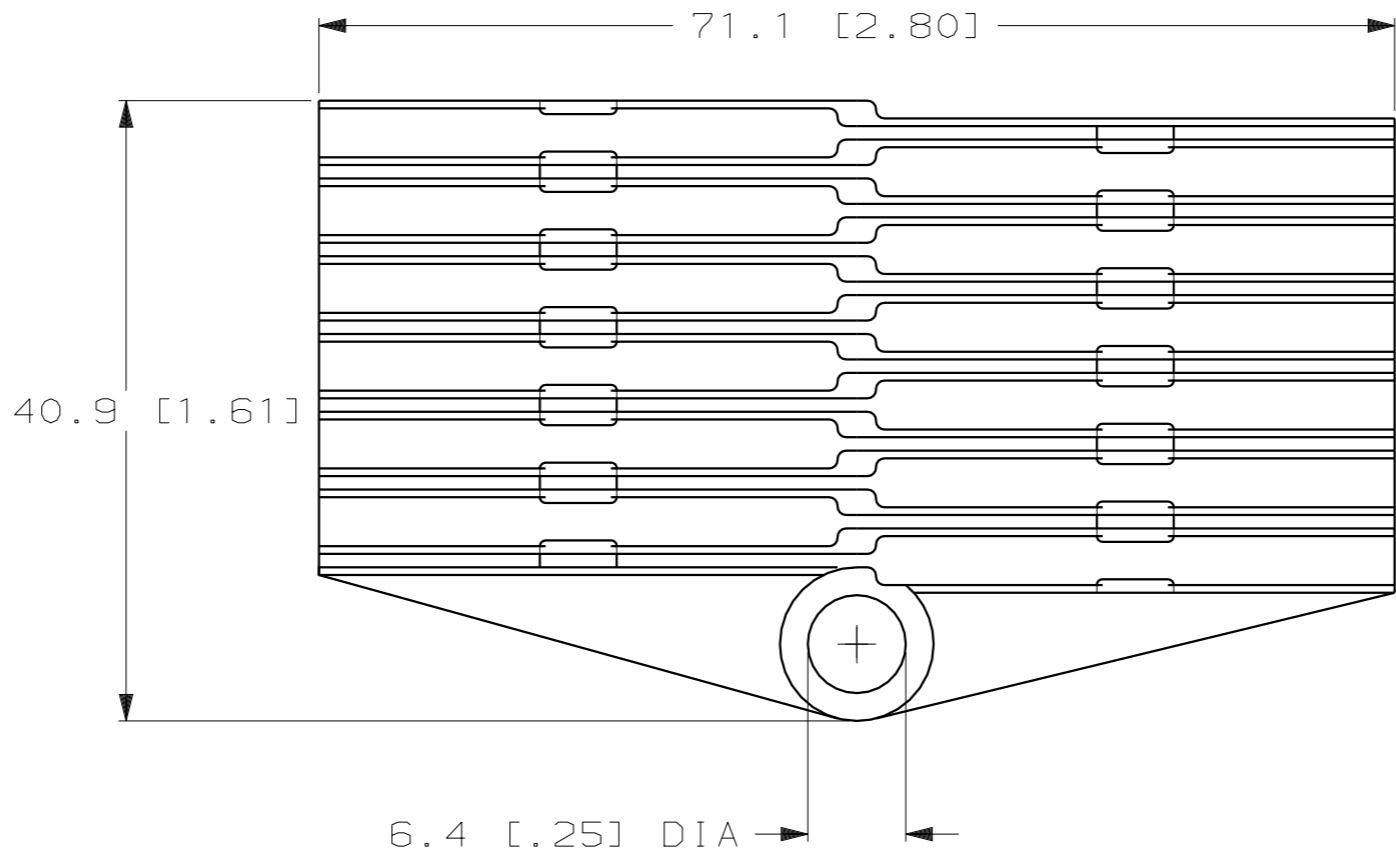
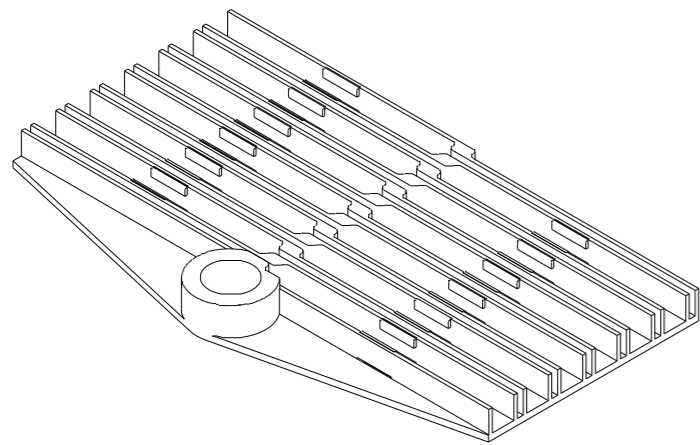
ZONE LTR

REVISIONS
 DESCRIPTION

DATE APPROVED

A CHNG PER ECN EC-909

- /-



501540-1

PART NO

UNLESS OTHERWISE SPECIFIED
 DIMENSIONS ARE IN MM
 TOLERANCES ON:
 2 PL DEC ± .5 [.02]
 3 PL DEC ± .20 [.008]
 ANGLES ± -

DR	
CHK	
APPD	
APPD	
PRODUCT SPEC	-
APPLICATION SPEC	-
WEIGHT	-

AMP AMP INCORPORATED
 Harrisburg, Pa. 17105

NAME
 SPLICE HOLDER ASSY

SIZE	FSCM NO	DRAWING NO
B	00779	501540
SCALE	NTS	SHEET
		1 OF 1

RESTRICTED RELEASE:
 DRAWING MAY CHANGE
 WITHOUT CUSTOMER NOTIFICATION

METRIC