

PART NAME: HUSKY KNOB SCALE: 1:1 DATE: 12/10/86 DR. BY HD

THIS DRAWING IS THE PROPERTY OF DAVIES MOLDING COMPANY, IS SUBMITTED SOLELY AS A DESIGN OR ENGINEERING PROJECT. WE ACCEPT NO RESPONSIBILITY WHATSOEVER FOR THE PRACTICAL APPLICATION OF THE PIECES MADE TO THIS DESIGN.

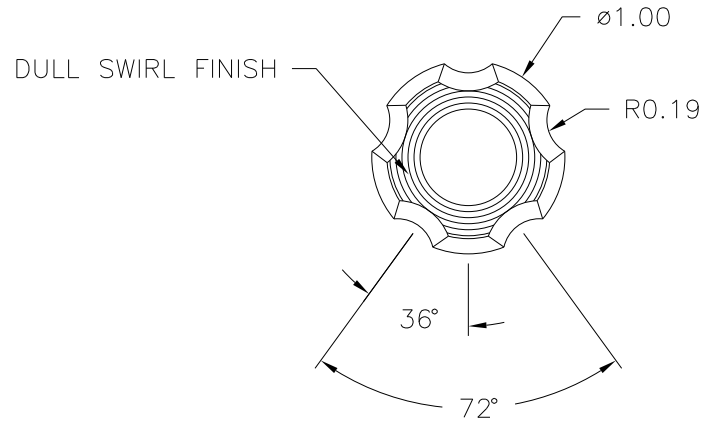


DESIGNERS & MANUFACTURERS OF KNOBS, HANDLES, CASES & CUSTOM PLASTIC COMPONENTS

P/N 2850-A

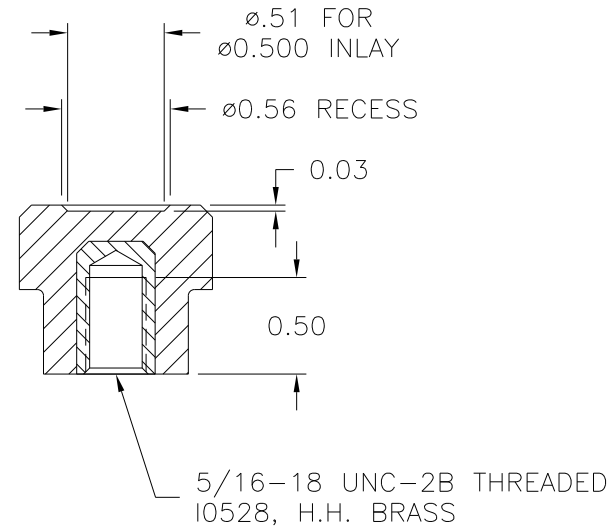
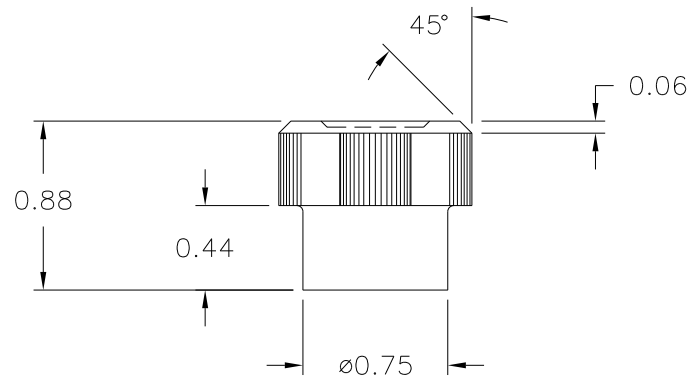
M^{NO.} 3025-2

CAVITY	2850
PLUNGER	2850
PIN	3000-K
LEG SPACER EXTENSION	2850 (4) 1.693 HIGH
INSERT	I0528
PLUNGER KEY	1/4x1/4x9/16
CAVITY KEY	1/4x1/4x9/16



NOTES: DO NOT INSTALL 2850 MOLD IN 3025-1 MOLD FRAME, USE ONLY 3025-2 MOLD FRAME

FOR ALL 2850 MOLD SET-UPS IN 3025-2, BE SURE SPACER EXTENSIONS ARE MOUNTED UNDER LEG SUPPORTS



MATERIAL: #4311 PLENCO PHENOLIC
COLOR: BLACK

TOLERANCES: UNLESS OTHERWISE SPECIFIED	DO NOT SCALE DRAWING			
DECIMALS: X.XXX ± .015 X.XX ± .015	MM: X.XX ± 0.15MM X.X ± 0.4MM	-	RE-DID REDRAW	TL 11/22/99
FRACTIONS ± 1/64	ANG. ± 1°	-	CAD REDRAW	HD 7/28/94
CHANGES				