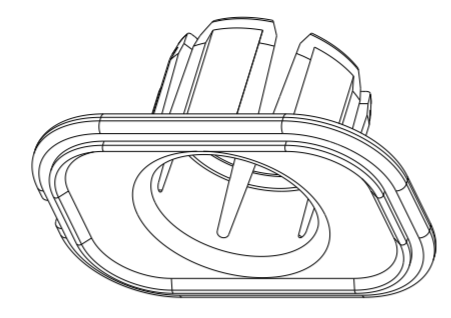
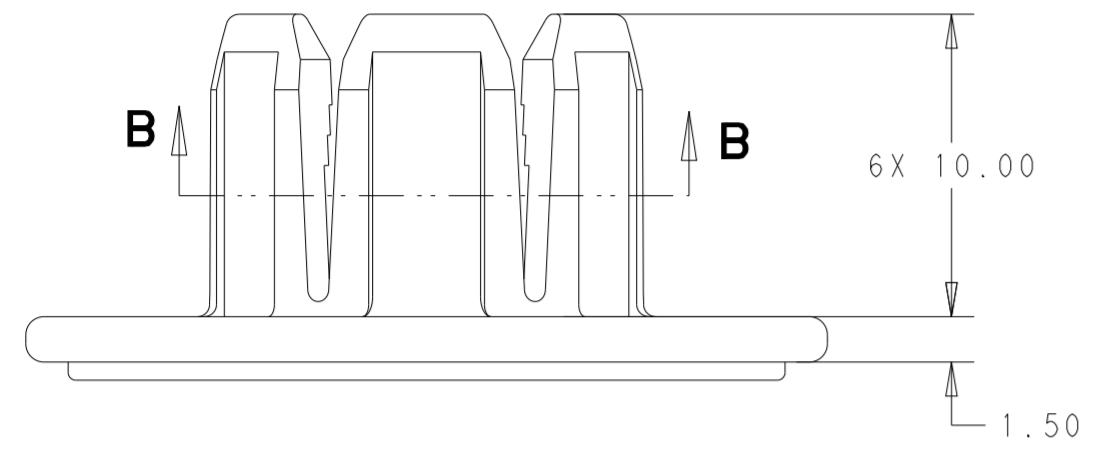
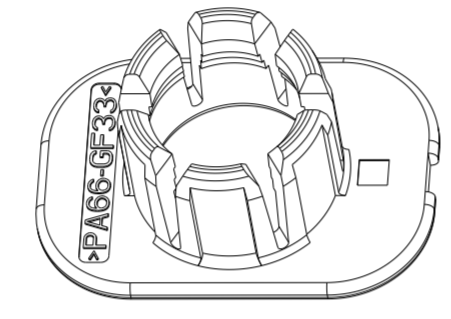


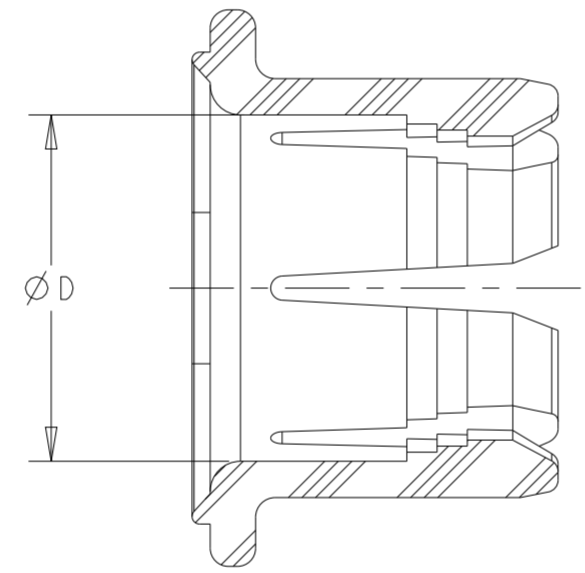
REVISIONS					
P	LTR	DESCRIPTION	DATE	DWN	APVD
A3		ECO-14-004886	31MAR2014	DR	DR
A4		ECN-23-169404	15MAR2023	SKM	SS



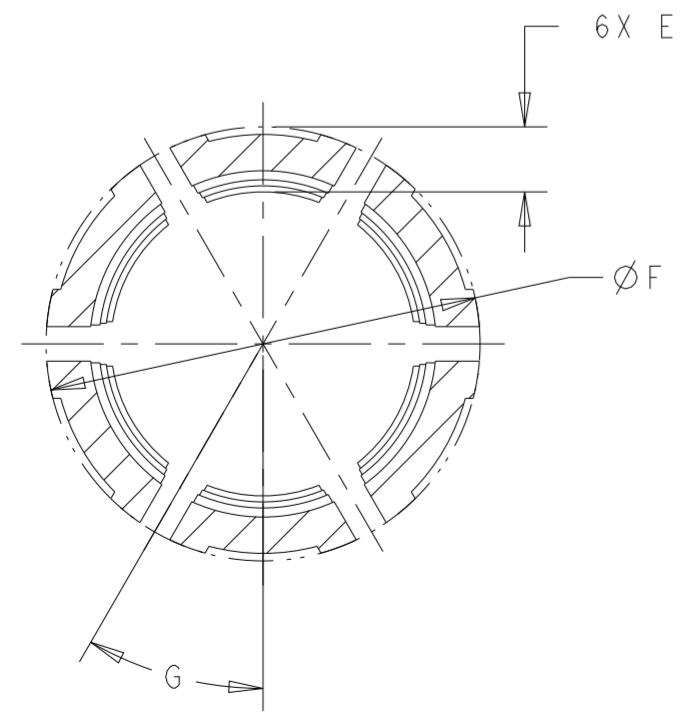
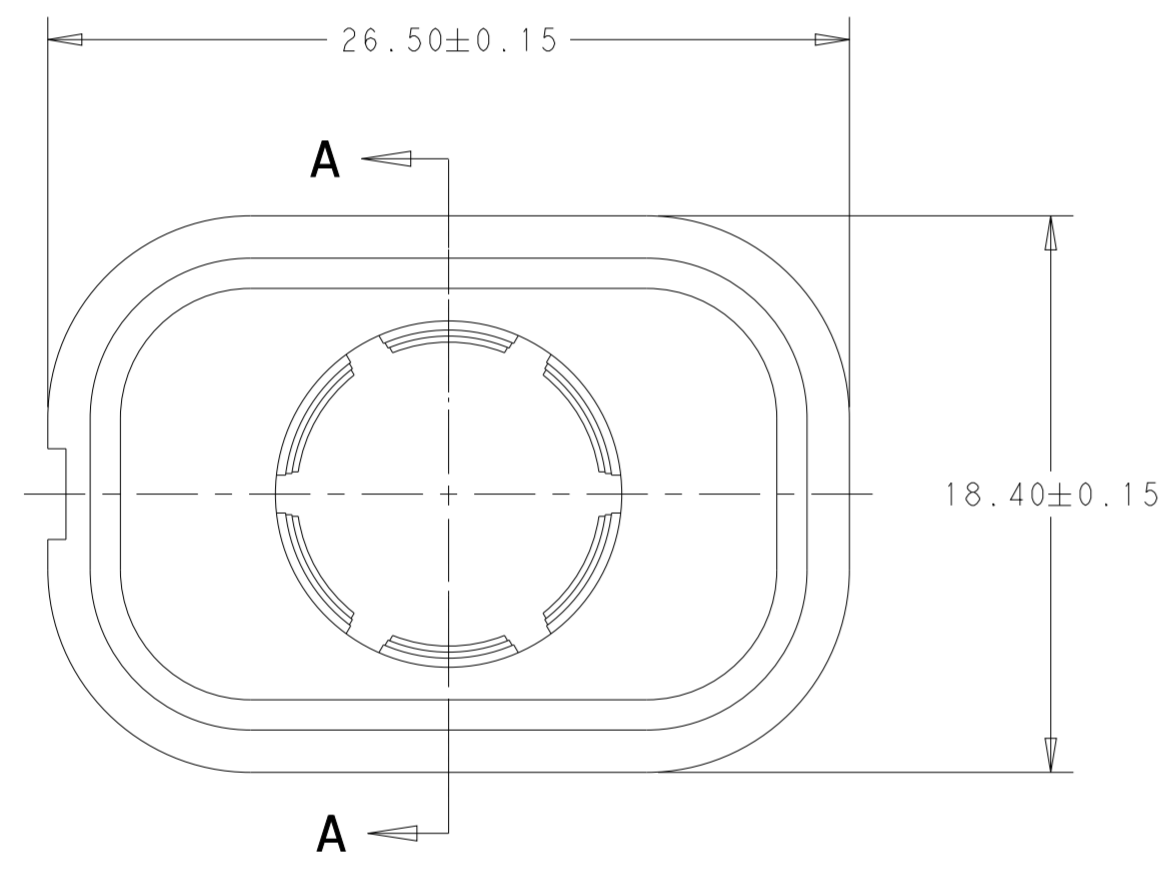
SCALE 2:1



SCALE 2:1

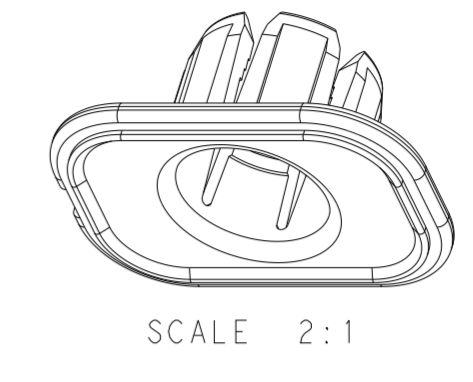
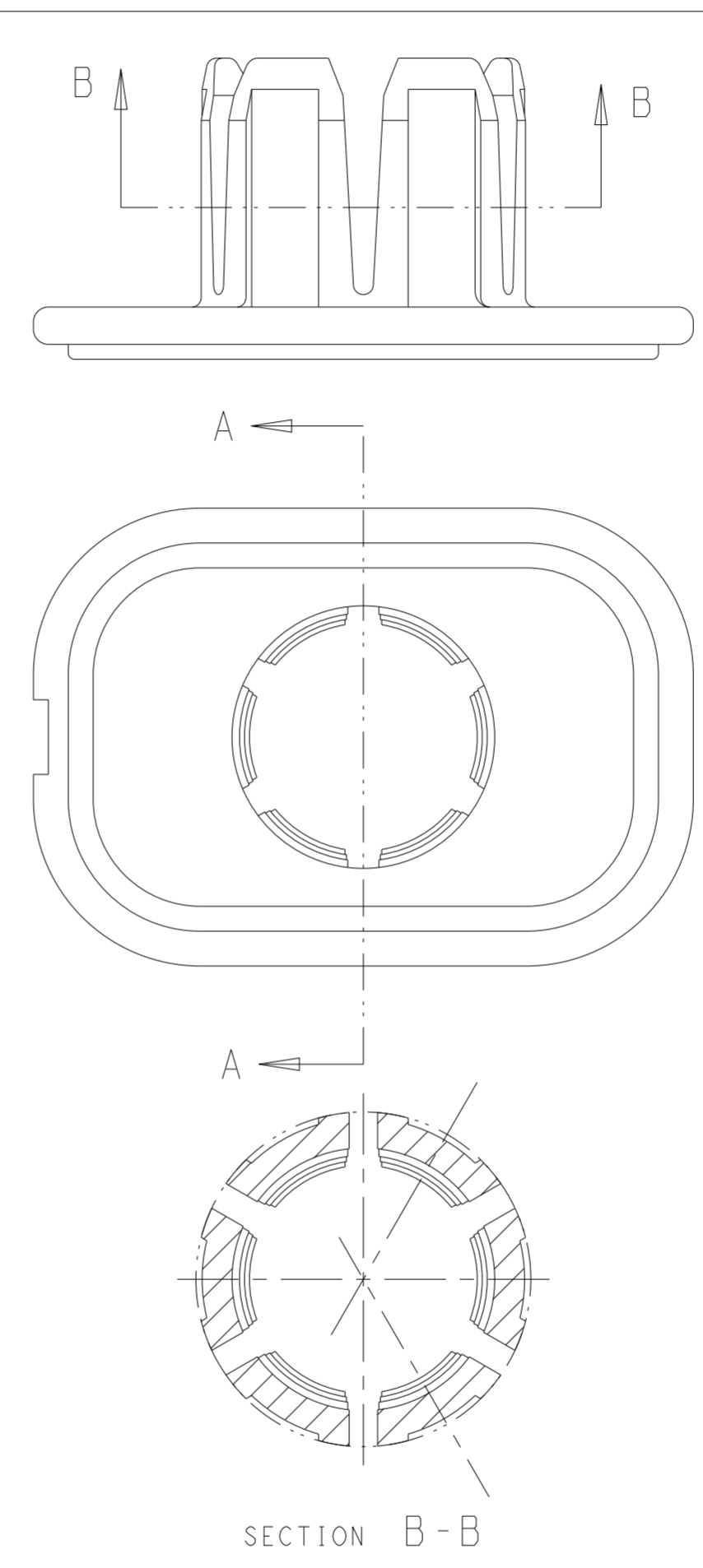


SECTION A-A

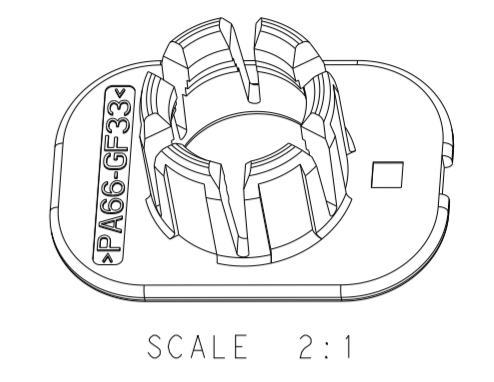


SECTION B-B

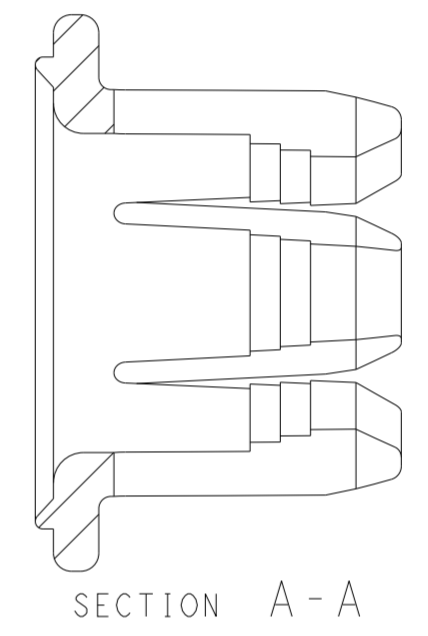
AS SHOWN 2103155-1



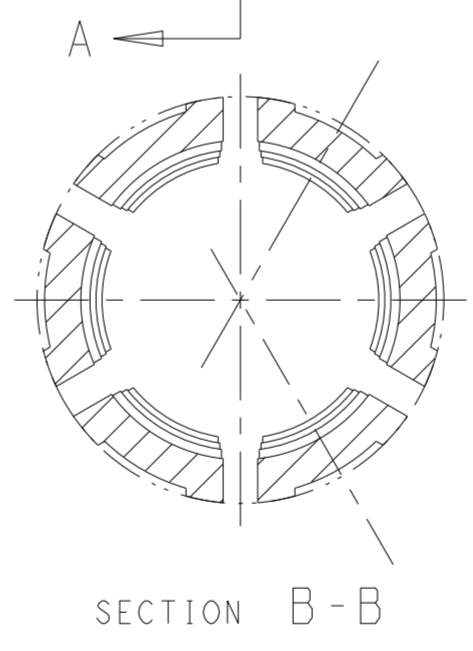
SCALE 2:1



SCALE 2:1



SECTION A-A



SECTION B-B

AS SHOWN 2103155-2/3
 ALL DIMENSIONS ARE SAME AS 2103155-1 EXCEPT "D", "E", "F" AND "G".

60°	13.45	2.40	10.55	1.33g	NATURAL	9.30 - 10.10	A	2103155-3
60°	13.45	2.15	10.55	1.27g	BLACK	9.80 - 10.50	A	2103155-2
30°	14.35	2.15	11.45	1.27g	ORANGE	10.70 - 11.40	A	2103155-1
G	F	E	D	WEIGHT	COLOR	CABLE Ø	REV	PART NO

1 MATERIAL: TYPE: PA66 33%GF COLOR: SEE TABLE
 2. NOTED DELETED

THIS DRAWING IS A CONTROLLED DOCUMENT.

DWN	D. RHEIN	07DEC2010	TE Connectivity COLLET HVA280 MULTI-CORE				
CHK	D. RHEIN	23MAR2011					
APVD	J. BOLEWITZ	23MAR2011					
PRODUCT SPEC							
APPLICATION SPEC			SIZE	CAGE CODE	DRAWING NO	RESTRICTED TO	
WEIGHT	SEE TABLE		A2	00779	C-2103155		
CUSTOMER DRAWING			SCALE	4:1	SHEET	1 OF 1	REV A4