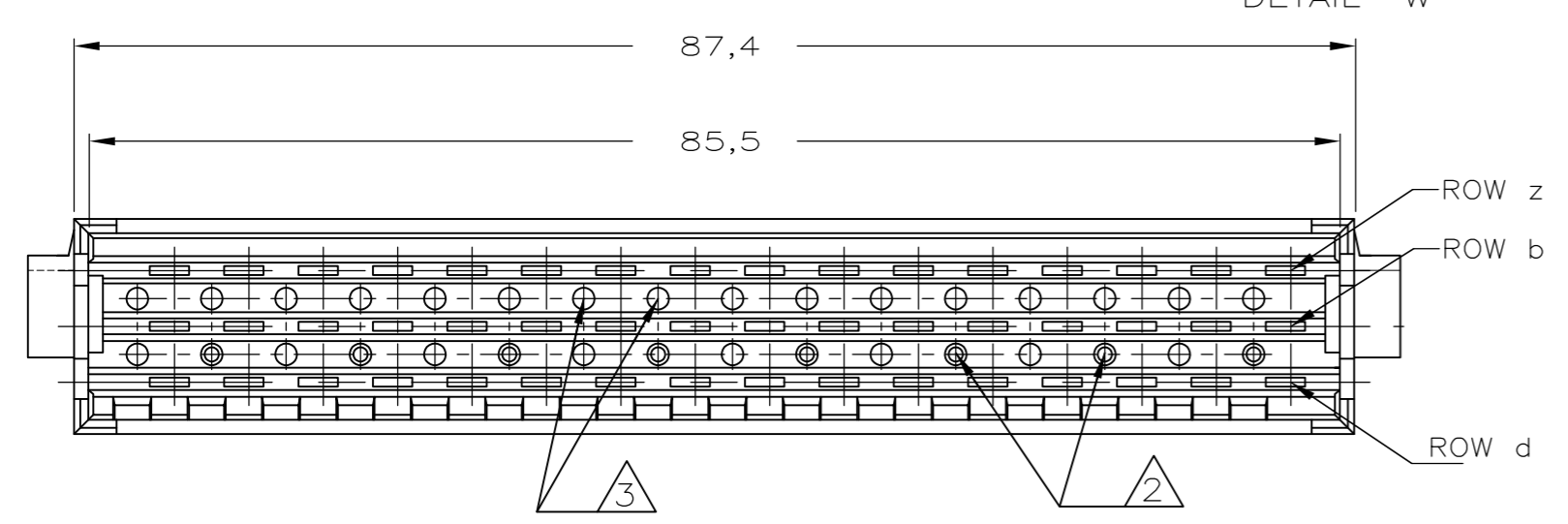
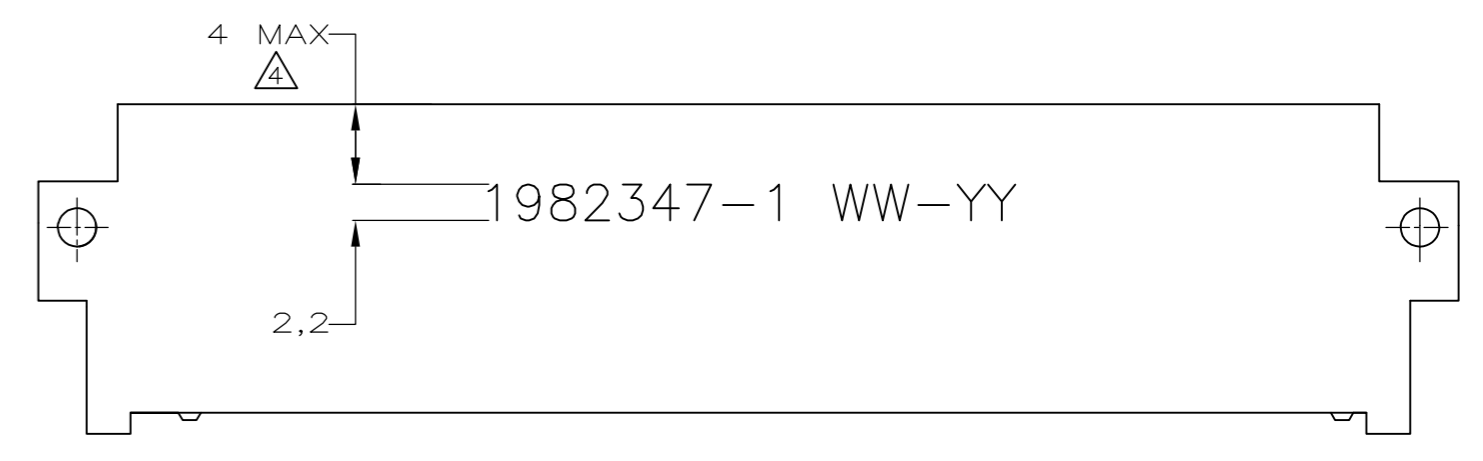
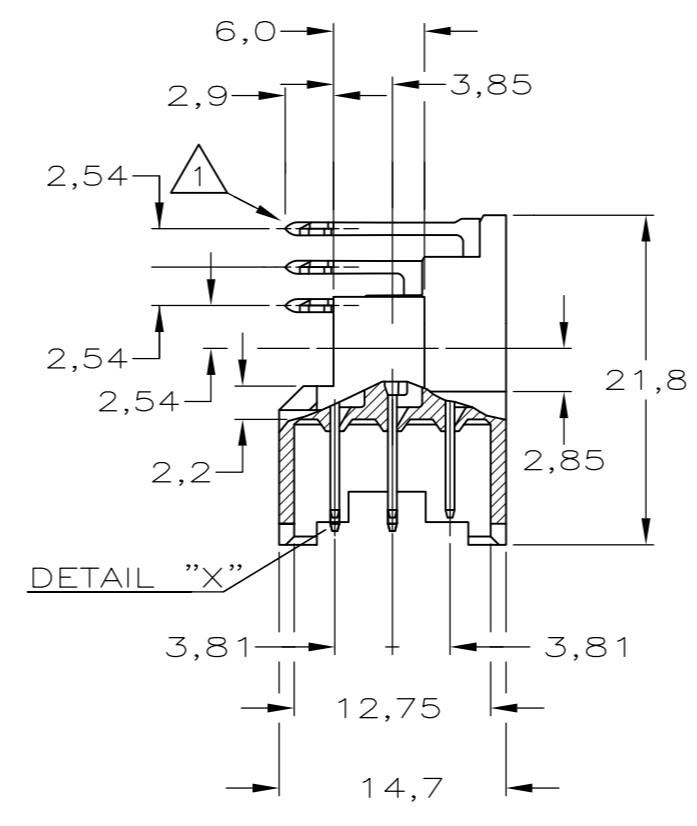
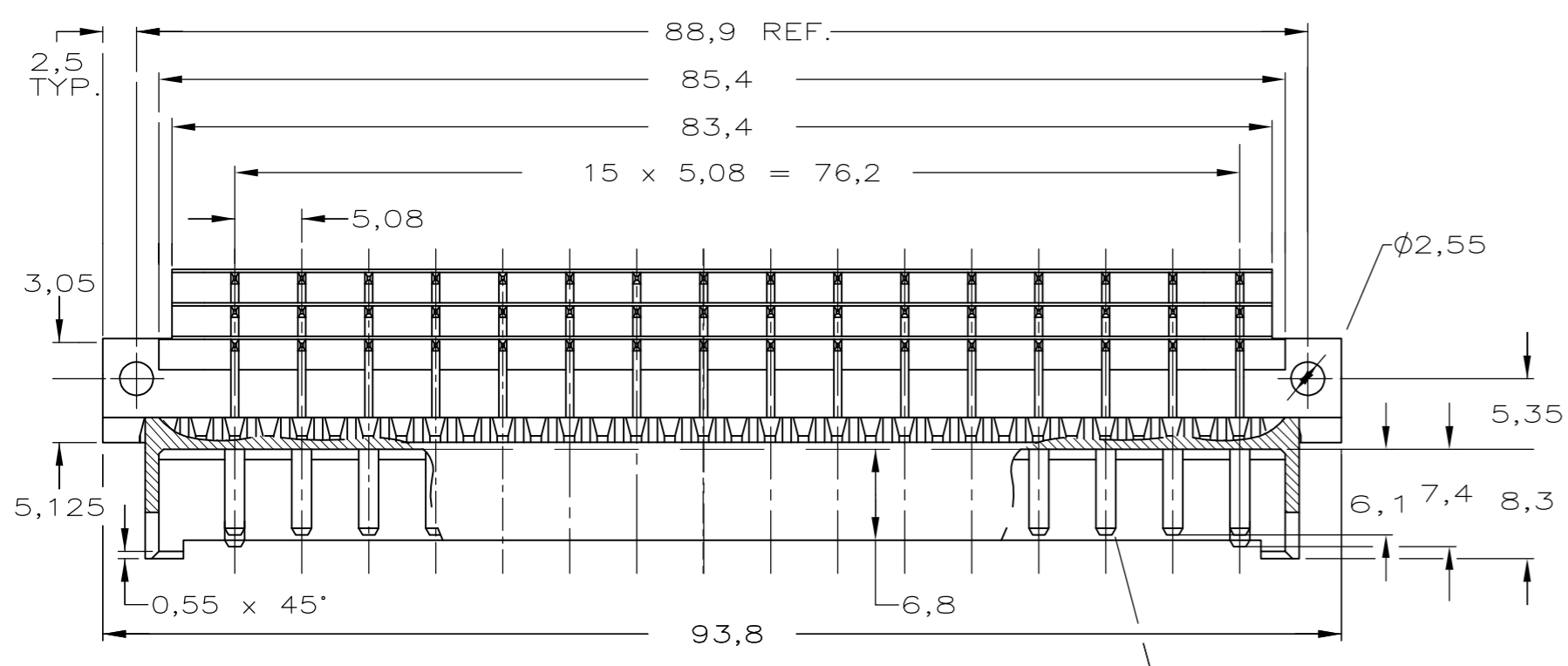


THIS DRAWING IS UNPUBLISHED. RELEASED FOR PUBLICATION
 © COPYRIGHT BY TYCO ELECTRONICS CORPORATION. ALL INTERNATIONAL RIGHTS RESERVED.

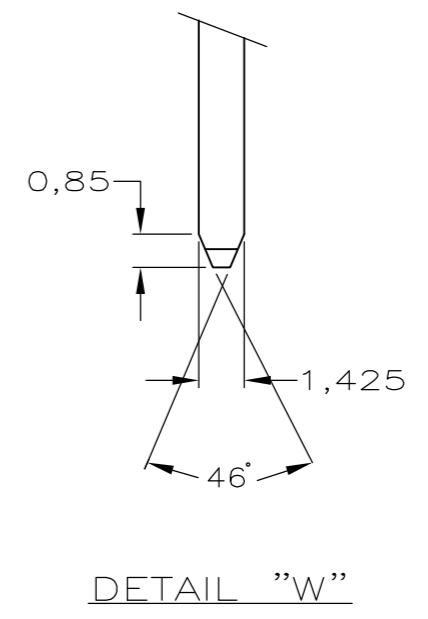
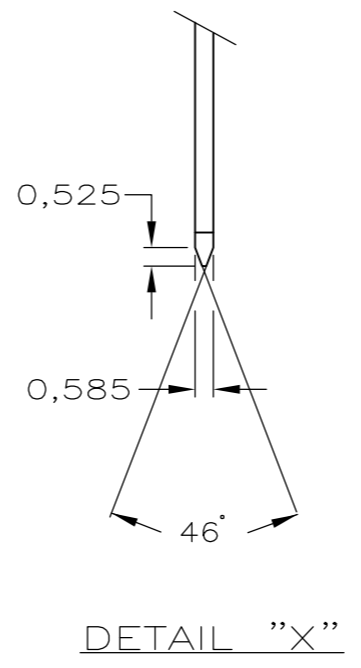
LOC		DIST		REVISIONS			
P	LTR	DESCRIPTION	DATE	DWN	APVD		
	A	FIRST ISSUE	06-02-07	MK	BM		
	B	ECR-08-009415	24-04-08	AEG	MKO		
	C	ECR-09-006351	21-08-09	AEG	MKO		



CONTACT No.	2	4	6	8	10	12	14	16	18	20	22	24	26	28	30	32
F 48 ROW z	⊗	x	x	x	x	x	x	x	x	x	x	x	x	x	x	x
F 48 ROW b	⊗	x	x	x	x	x	x	x	x	x	x	x	x	x	x	⊗
F 48 ROW d	x	x	x	x	x	x	x	x	x	x	x	x	x	x	x	x

AN ASTERISK „X” DENOTES A STAND. CONTACT.
 AN ASTERISK „⊗” DENOTES A FIRST-MAKE-LAST-BREAK CONTACT.

- NOTES:
- ① ACTION-PIN AREA SUITABLE FOR P.C.B.-THICKNESS 1,6 mm.
 - ② 8 KEYING HOLES SUITABLE FOR KEYING PINS.
 - ③ KEYING HOLES CAN BE DRILLED BY CUSTOMER.
 - ④ PARTNUMBER AND DATECODE PRINTED IN BLACK.



P.C.B. HOLE DIM. ACTION PIN

DRILLED HOLE	: 1,15 ± 0,025 mm
FIN. HOLE	: 0,94 to 1,09 mm
AFTER REFLOW	: 0,91 to 1,09 mm
Cu-thks	: 0,025 to 0,075 mm
SnPb-thks	: 0,004 to 0,010 mm

THIS DRAWING IS A CONTROLLED DOCUMENT.		DWN	M.KOMAR	06FEB07	Tyco Electronics Corporation 's-Hertogenbosch, Nederland		
DIMENSIONS: mm		CHK	B.MOOIJ	06FEB07	NAME		
TOLERANCES UNLESS OTHERWISE SPECIFIED:		APVD	J.BROEKSTEEG	06FEB07	PRODUCT SPEC		
0 PLC ± -		APPLICATION SPEC		48 POS. DIN 41612 F MALE 90 deg ACTION PIN CONNECTOR WITH FMLB CONTACTS			
1 PLC ± -		WEIGHT		SIZE	CAGE CODE	DRAWING NO	RESTRICTED TO
2 PLC ± -		MATERIAL		A2	00779	C=1982347	-
3 PLC ± -		FINISH		CUSTOMER DRAWING			SCALE
4 PLC ± -		MATERIAL		NTS			SHEET
ANGLES ± -		MATERIAL		1 of 1			REV
-		MATERIAL		C			