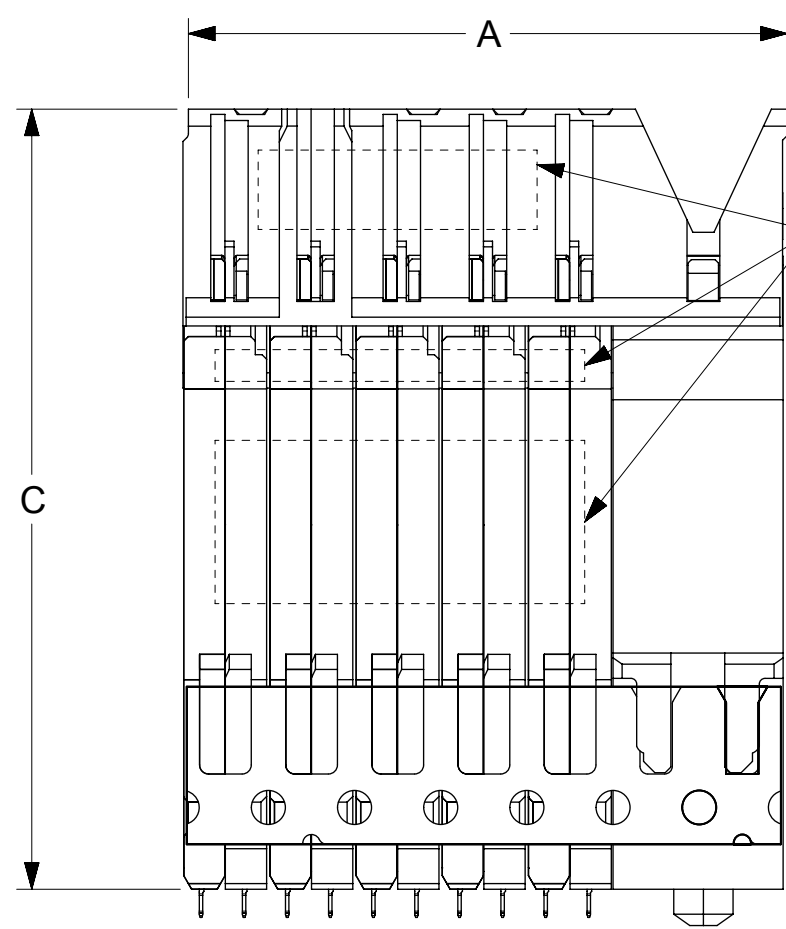
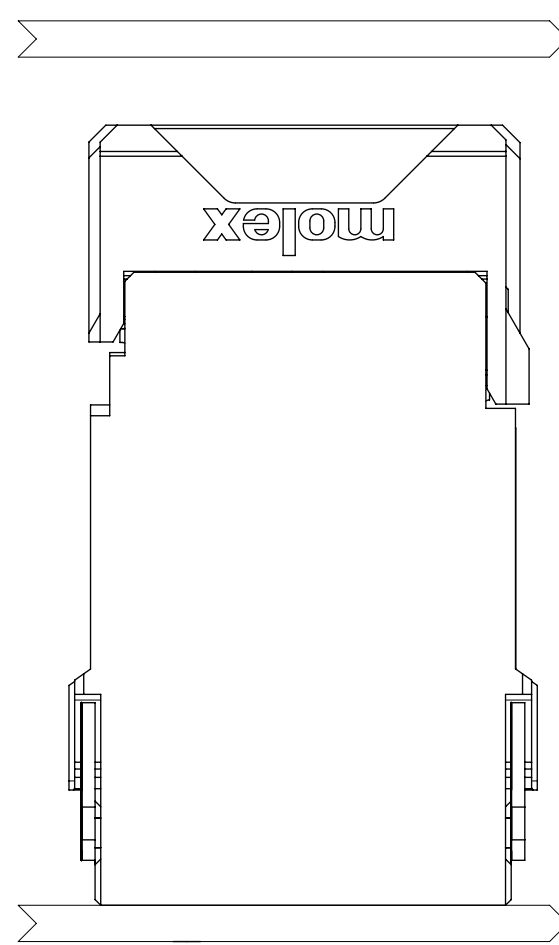


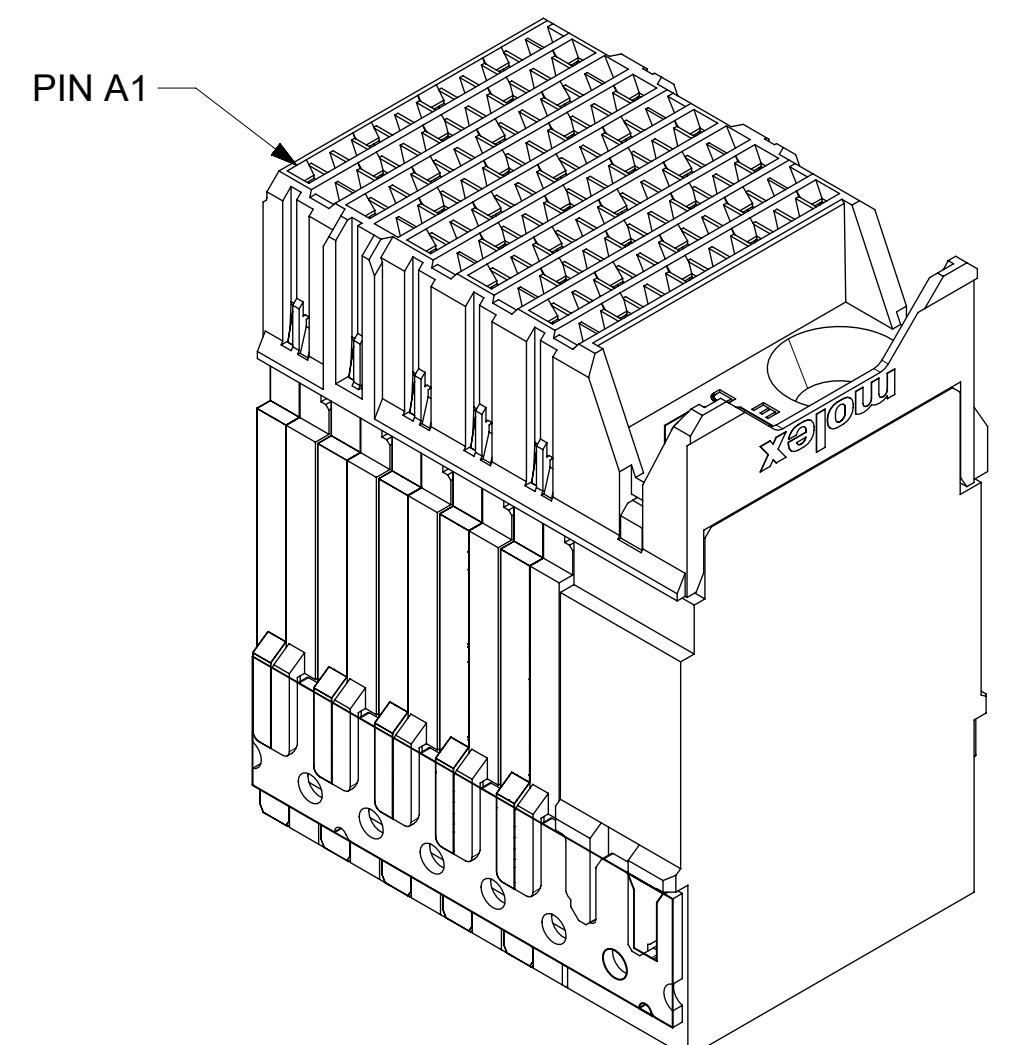
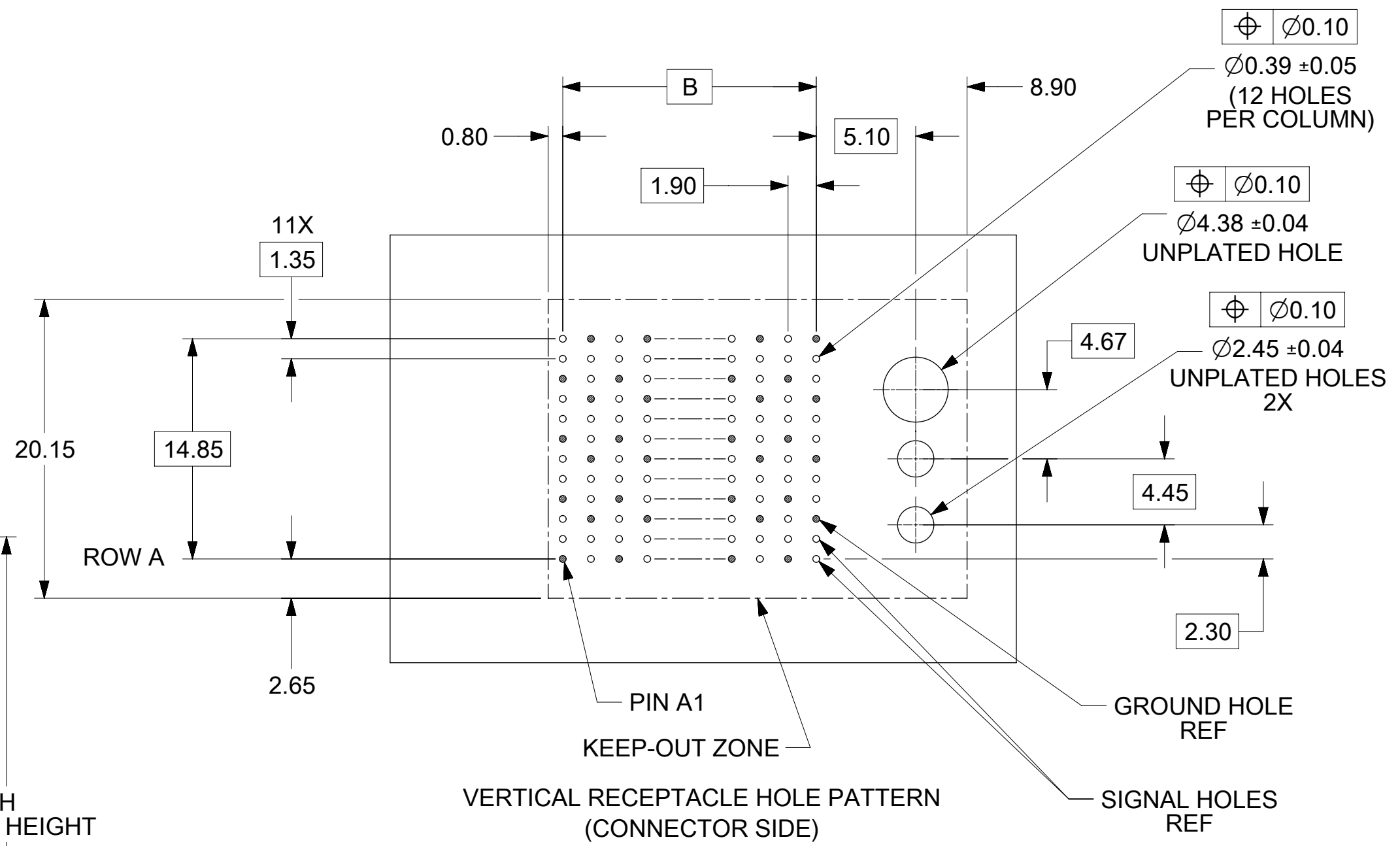
KEY SHOWN
IN POSITION A



SEE NOTE 12



H
STACK HEIGHT



- NOTES:
1. MATERIALS: HOUSING - LIQUID CRYSTAL POLYMER (LCP)
GLASS-FILLED, UL94V-0
TERMINALS - HIGH PERFORMANCE COPPER ALLOY
 2. FINISH: 30 μINCH MIN GOLD IN CONTACT AREA.
SELECTIVE MATTE TIN ON PCB TAILS. NICKEL OVERALL.
 3. REFER TO MOLEX PRODUCT SPECIFICATION PS-76060-999 FOR PERFORMANCE SPECIFICATIONS AND ADDITIONAL PCB INFORMATION.
 4. EACH SIGNAL WAFER CONTAINS 2 COLUMNS OF TERMINALS.
 5. SEE CHART FOR PACKAGING SPECIFICATIONS.
 6. THIS PART CONFORMS TO CLASS B REQUIREMENTS OF COSMETIC SPEC PS-45499-002.
 7. REFER TO MOLEX SALES DRAWING SD-170335-0003 FOR THE MATING HEADERS
 8. REFER TO MOLEX ROUTING PCB ROUTING GUIDE AS-76060-990 FOR ANTIPAD AND ROUTING RECOMMENDATIONS.
 9. GROUND PATHS ARE NOT DISCRETE WITHIN CONNECTOR DUE TO PRESENCE OF PLUS CLIP.
 10. PART NUMBER 170390-5130 SHOWN ON DRAWING. KEYING FEATURES WILL CHANGE WITH COLUMN SIZE.
 11. FOR SCREW PART NUMBER AND FUNCTIONAL BOARD THICKNESS REFER TO CHART ON SHEET 2. IN ORDER TO ACCOMMODATE ALTERNATE BOARD THICKNESSES PLEASE CONTACT MOLEX.
 12. MARKING: LOCATED APPROXIMATELY AS SHOWN. PART NUMBER AND DATE CODE.

THIS DRAWING CONTAINS INFORMATION THAT IS PROPRIETARY TO MOLEX ELECTRONIC TECHNOLOGIES, LLC AND SHOULD NOT BE USED WITHOUT WRITTEN PERMISSION																																	
DIMENSION UNITS		SCALE		CURRENT REV DESC: CORRECTED TYPO IN NOTE 7																													
MM		NTS		<p style="text-align: center;">IMPACT 4-PAIR 85-OHM RIGHT GUIDE MEZZANINE SALES DRAWING</p> <p style="text-align: center;">PRODUCT CUSTOMER DRAWING</p> <table border="1" style="width: 100%; border-collapse: collapse;"> <tr> <td colspan="3">DOCUMENT NUMBER</td> <td>DOC TYPE</td> <td>DOC PART</td> <td>REVISION</td> </tr> <tr> <td colspan="3" style="text-align: center; font-size: 1.2em;">SD-170390-0003</td> <td style="text-align: center;">PSD</td> <td style="text-align: center;">001</td> <td style="text-align: center; font-size: 1.2em;">A5</td> </tr> <tr> <td colspan="2">MATERIAL NUMBER</td> <td colspan="2">CUSTOMER</td> <td colspan="2">SHEET NUMBER</td> </tr> <tr> <td colspan="2">SEE CHART</td> <td colspan="2">GENERAL MARKET</td> <td colspan="2">1 OF 2</td> </tr> </table>						DOCUMENT NUMBER			DOC TYPE	DOC PART	REVISION	SD-170390-0003			PSD	001	A5	MATERIAL NUMBER		CUSTOMER		SHEET NUMBER		SEE CHART		GENERAL MARKET		1 OF 2	
DOCUMENT NUMBER			DOC TYPE							DOC PART	REVISION																						
SD-170390-0003			PSD							001	A5																						
MATERIAL NUMBER		CUSTOMER								SHEET NUMBER																							
SEE CHART		GENERAL MARKET								1 OF 2																							
GENERAL TOLERANCES (UNLESS SPECIFIED)																																	
ANGULAR TOL ± 0.5°																																	
4 PLACES ±		EC NO: 629583																															
3 PLACES ±		DRWN: SKRISHNAMU01 2019/12/11																															
2 PLACES ± 0.13		CHK'D: CWANG25 2019/12/23																															
1 PLACE ± 0.25		APPR: STTAN 2021/02/04																															
0 PLACES ±		INITIAL REVISION:																															
DRAFT WHERE APPLICABLE MUST REMAIN WITHIN DIMENSIONS		THIRD ANGLE PROJECTION		DRAWING		SERIES		MATERIAL NUMBER																									
		C-SIZE		170390		SEE CHART		GENERAL MARKET																									

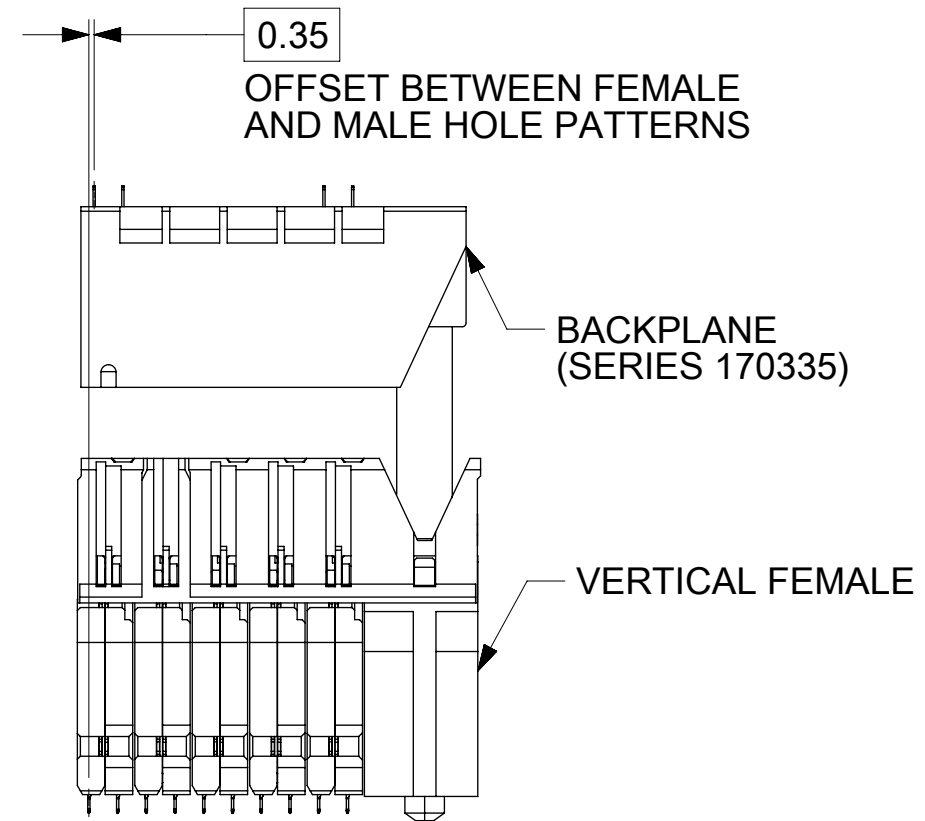
DOCUMENT STATUS	P1	RELEASE DATE	2021/02/04	03:13:18
-----------------	----	--------------	------------	----------

PART NUMBER CHART

MATERIAL NUMBER	# OF COLUMNS	# OF DIFF PAIRS	DIM "A" MAX	DIM "B"	DIM "C"	DIM "D"	PACKAGING SPEC	SCREW P/N	FUNCTIONAL BOARD THICKNESS	18mm STACK HEIGHT (DIM H)
170390-5*03	6	24	19.0	9.5	15.36	19.41	PK-70873-4001	73726-0005	2.0mm TO 3.0mm	
170390-5*08	8	32	22.8	13.3						
170390-5*00	10	40	26.6	17.1						
170390-5*02	12	48	30.4	20.9						
170390-5*07	14	56	34.2	24.7						
170390-5*06	16	64	38.0	28.5						
170390-5*09	18	72	41.8	32.3						

MATERIAL NUMBER	# OF COLUMNS	# OF DIFF PAIRS	DIM "A" MAX	DIM "B"	DIM "C"	DIM "D"	PACKAGING SPEC	SCREW P/N	FUNCTIONAL BOARD THICKNESS	25mm STACK HEIGHT (DIM H)
170390-5*28	8	32	22.8	13.3	22.36	19.41	PK-70873-4002	73726-0000	1.0mm TO 5.0mm	
170390-5*20	10	40	26.6	17.1						
170390-5*22	12	48	30.4	20.9						
170390-5*27	14	56	34.2	24.7						
170390-5*26	16	64	38.0	28.5						
170390-5*29	18	72	41.8	32.3						

MATERIAL NUMBER	# OF COLUMNS	# OF DIFF PAIRS	DIM "A" MAX	DIM "B"	DIM "C"	DIM "D"	PACKAGING SPEC	SCREW P/N	FUNCTIONAL BOARD THICKNESS	37mm STACK HEIGHT (DIM H)
170390-5*38	8	32	22.8	13.3	34.36	20.65	PK-70873-0044	73726-0000	1.0mm TO 5.0mm	
170390-5*30	10	40	26.6	17.1						
170390-5*32	12	48	30.4	20.9						
170390-5*37	14	56	34.2	24.7						
170390-5*36	16	64	38.0	28.5						
170390-5*39	18	72	41.8	32.3						



PART NUMBER LOGIC

170390-****

MODULE AND TAIL PLATING TYPE
5 = GUIDE RIGHT, MATTE TIN

KEY ORIENTATION

0 = NO KEY
1 = A 5 = E
2 = B 6 = F
3 = C 7 = G
4 = D 8 = H

OF COLUMNS

3 = 6 COL
8 = 8 COL
0 = 10 COL
2 = 12 COL
7 = 14 COL
6 = 16 COL
9 = 18 COL

STACK HEIGHT (H)

0 = 18mm
2 = 25mm
3 = 37mm

THIS DRAWING CONTAINS INFORMATION THAT IS PROPRIETARY TO MOLEX ELECTRONIC TECHNOLOGIES, LLC AND SHOULD NOT BE USED WITHOUT WRITTEN PERMISSION

DIMENSION UNITS	SCALE	CURRENT REV	DESC: CORRECTED TYPO IN NOTE 7
MM	NTS		
GENERAL TOLERANCES (UNLESS SPECIFIED)		EC NO: 629583	
ANGULAR TOL	± 0.5°	DRWN: SKRISHNAMU01	2019/12/11
4 PLACES	±	CHK'D: CWANG25	2019/12/23
3 PLACES	±	APPR: STTAN	2021/02/04
2 PLACES	± 0.13	INITIAL REVISION:	
1 PLACE	± 0.25	DRWN: JBINGHAM	2013/04/04
0 PLACES	±	APPR: JLAURX	2013/04/05
DRAFT WHERE APPLICABLE MUST REMAIN WITHIN DIMENSIONS		THIRD ANGLE PROJECTION	DRAWING SERIES
		C-SIZE	170390
DOCUMENT STATUS		DOCUMENT NUMBER	DOC TYPE DOC PART REVISION
P1	RELEASE DATE 2021/02/04 03:13:18	SD-170390-0003	PSD 001 A5
MATERIAL NUMBER		CUSTOMER	SHEET NUMBER
SEE CHART		GENERAL MARKET	2 OF 2

molex

IMPACT 4-PAIR 85-OHM
RIGHT GUIDE MEZZANINE SALES DRAWING

PRODUCT CUSTOMER DRAWING