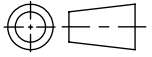


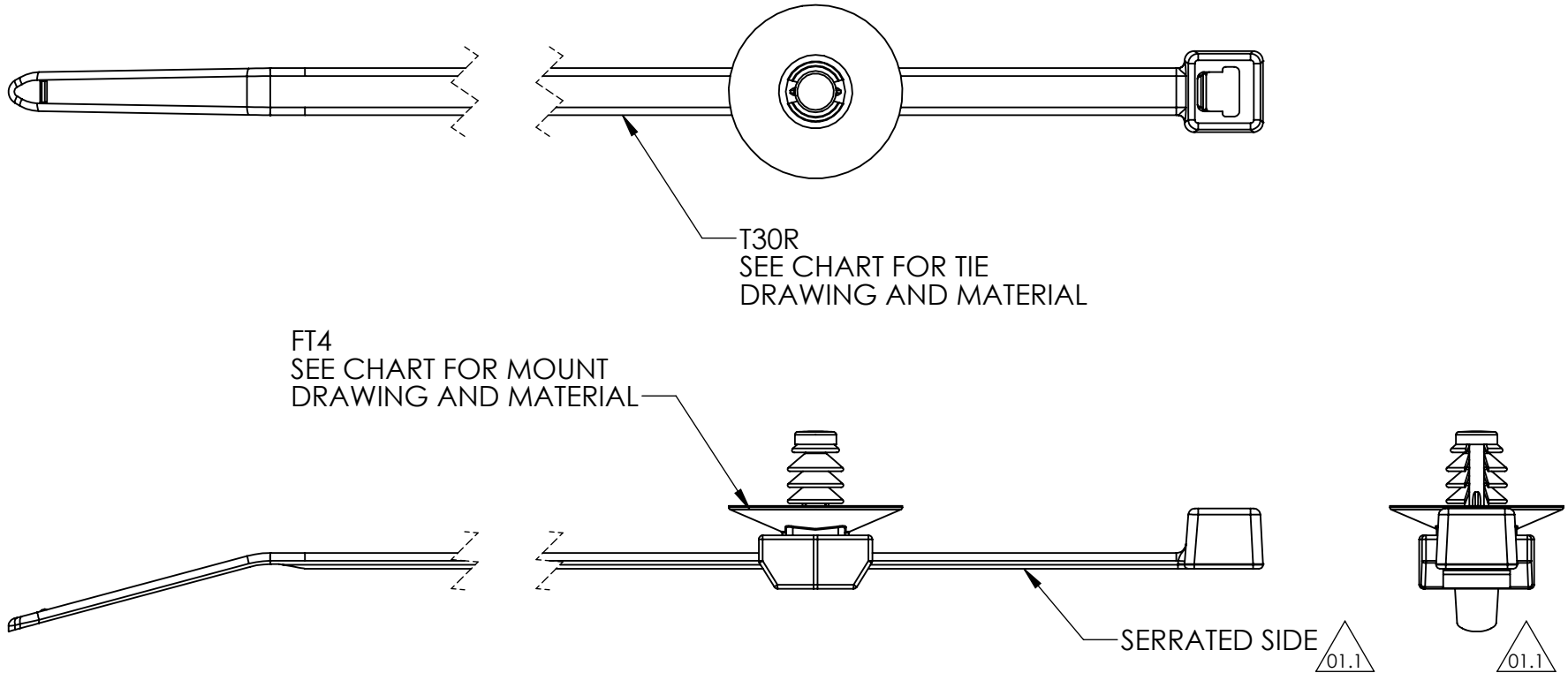
SW



Revision level			Revision Record	Changed	Date	Approved	Date
Drawing	State	Part					
01.1	Design Release	-	SEE ECN# 015178	CTF	06/07/2019	GAL	06/07/2019

NOTES:

1. CABLE TIE AND MOUNT TO BE ORIENTED AS SHOWN 01.1



GLOBAL PART DESCRIPTION	BUNDLE RANGE	CABLE TIES			MOUNT		
		DRAWING	MATERIAL	COLOR	DRAWING	MATERIAL	COLOR
T30RFT4-PA66HS-BK	1.5 to 35	11-0341-001-CSU	PA66HS	BLACK	11-0752-001-CSU	PA66HIRHSUV	BLACK

Material SEE CHART	Units: millimeters	The copyright of this drawing is reserved by HellermannTyton. It is issued on condition that it is not reproduced, copied, or disclosed to a third party, either wholly or in part, without the consent of HellermannTyton.	Drawn	AAC	11/22/2011	Article/Type-No	T30RFT4	Scale	2:1		
	Dimension without tolerances details to: .xxx = ±.013 .xx = ±.13 .x = ±.3 None = ±.8 ∠ = ±0.5° Dimension Formatted mm/[in]		Approved	AAC	11/22/2011	Title	T30R STANDARD CABLE TIE WITH FT4 MOUNT	Project Number	PRP 11-0748		
	HellermannTyton			North America Email: corp@htamericas.com Web: www.hellermann.tyton.com		Drawing-No	11-0748-001-CSU	Production : Phase	Format	AH	
								Sheet	1/1		