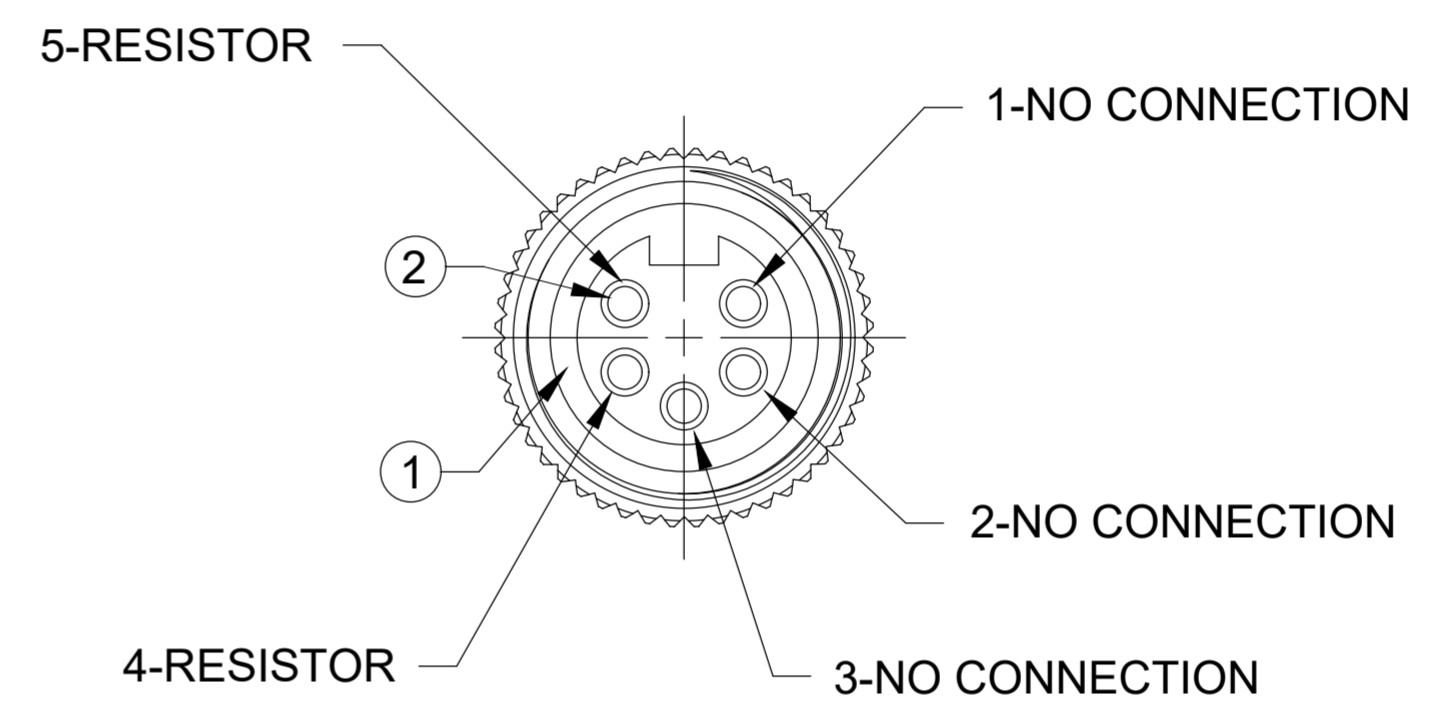
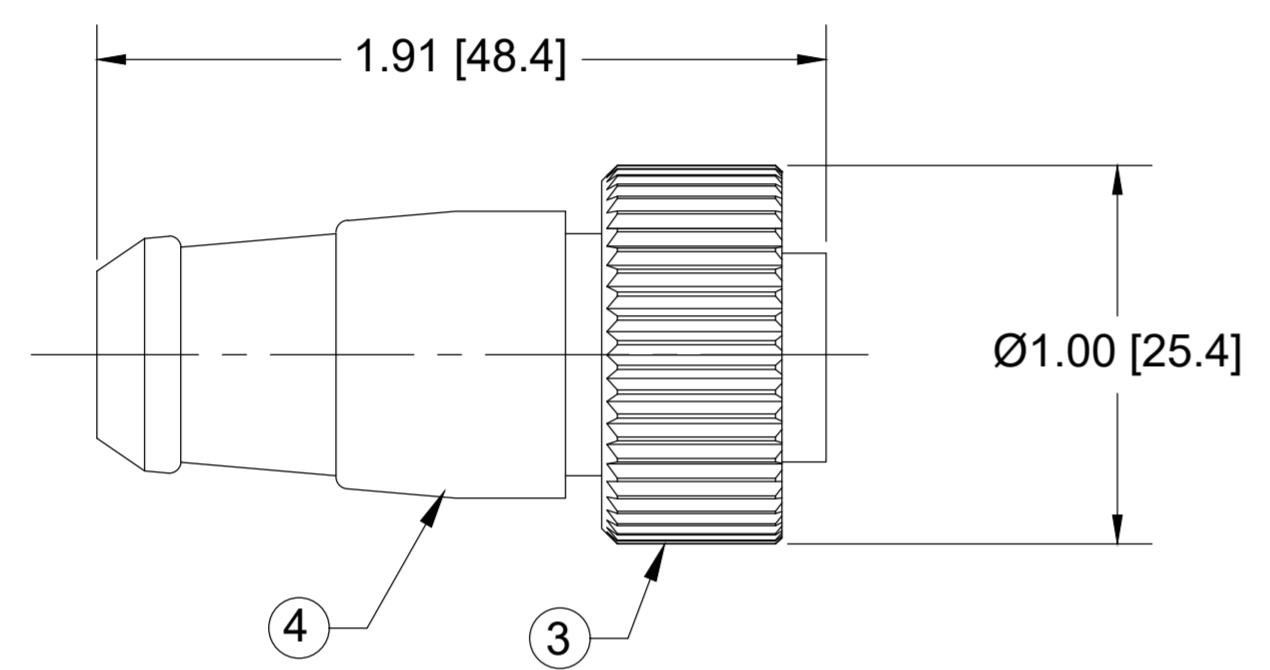
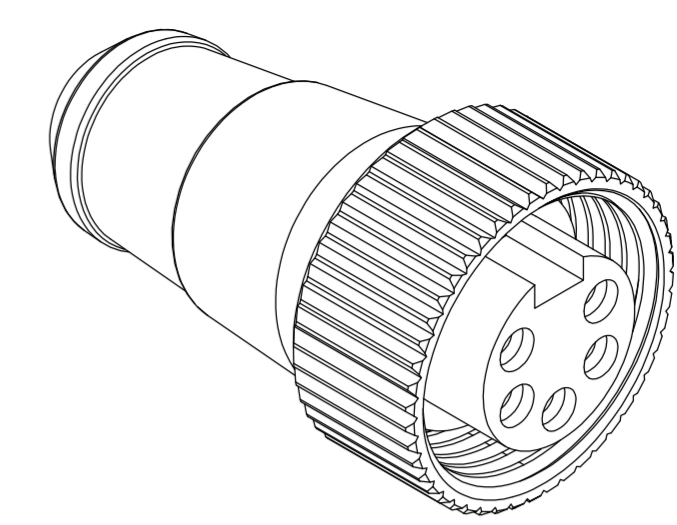


MATERIAL NUMBER	ENGINEERING NUMBER
1300390376	DN150



- NOTES:
- MATERIAL: AS NOTED
 - FINISH: AS NOTED
 - ELECTRICAL:
VOLTAGE: 50 VAC/VDC
CURRENT: 8 AMPS
 - TEMP RATING: 0°C TO +60°C
 - PROTECTION: IP67 (WHEN MATED)
 - COUPLING THREAD: 7/8"-16UN
 - ALL DIMENSIONS ARE FOR REFERENCE UNLESS TOLERANCED OR NOTED OTHERWISE

PRE-RELEASE
REFERENCE
USE ONLY

ITEM	COMPONENT	MATERIAL	FINISH
1	INSERT	TPE	GRAY
2	CONTACT SOCKET	COPPER ALLOY	GOLD OVER NICKEL
3	COUPLNG NUT	ZINC DIE CAST	BLACK E-COATED
4	OVERMOLD	TPE	GRAY
	RESISTOR	121 OHM 1% METAL FILM 1/4 WATT	

THIS DRAWING CONTAINS INFORMATION THAT IS PROPRIETARY TO MOLEX ELECTRONIC TECHNOLOGIES, LLC AND SHOULD NOT BE USED WITHOUT WRITTEN PERMISSION									
FUNCTIONAL SYMBOLS	DIMENSION UNITS	SCALE	CURRENT REV DESC: ITEM# 1 & 4 WERE PVC						
	INCH/MM	NTS	<p>molex</p> <p>MINI-CHANGE TERMINATOR, A-SIZE, 5POLE, FEMALE, STRAIGHT, SINGLE KEY, 22AWG</p> <p>PRODUCT CUSTOMER DRAWING</p> <p>DOCUMENT NUMBER: SD-130039-014 DOC TYPE/DOC PART: PSD 001 REVISION: C</p>						
GENERAL TOLERANCES (UNLESS SPECIFIED)									
	mm	INCH							
4 PLACES	±----	±----							
3 PLACES	±----	±0.005							
DIVISIONAL SYMBOLS	2 PLACES	±0.13	±0.01	EC NO: 643513	2020/07/15				
	1 PLACE	±0.25	±0.02	DRWN: ABENJAMINLW	2020/08/28				
	0 PLACES	±----	±----	CHK'D: RSTONE					
	ANGULAR TOL ±		0.5 °		APPR: ----				
DRAFT WHERE APPLICABLE MUST REMAIN WITHIN DIMENSIONS		THIRD ANGLE PROJECTION		DRAWING	SERIES	MATERIAL NUMBER	CUSTOMER	SHEET NUMBER	
				C-SIZE	130039	SEE_CHART	GENERAL MARKET	1 OF 1	